

VEHICLE MODEL

BF6DU18-02
BF6CU09-02

Pneumatic Tire Models (Pv)

Classification		Load Capacity	Vehicle Model	Transmission Type	Engines	
Series	Model					
4-Door series	Ford	2000 lbs	BF6DU18	IS	47	Gasoline
			BF6DU18	IS	102-0	Diesel
	Ford	3000 lbs	BF6DU18	IS	47	Gasoline
			BF6DU18	IS	102-0	Diesel
2-Door series	Ford	4000 lbs	BF6DU9	IS	47	Gasoline
			BF6DU9	IS	102-0	Diesel
	Ford	5000 lbs	BF6DU9	IS	47	Gasoline
			BF6DU9	IS	102-0	Diesel
2-Door series	Ford	6000 lbs	BF6DU9	IS	47	Gasoline
			BF6DU9	IS	102-0	Diesel
	Ford	6000 lbs	BF6DU9*	IS	47	Gasoline
			BF6DU9*	IS	102-0	Diesel

Custom Tire Models (Cu)

Classification		Load Capacity	Vehicle Model	Transmission Type	Engines	
Series	Model					
Flat tire series	CuB	4000 lbs	BF6CU09	IS	47	Gasoline
	CuB	6000 lbs	BF6CU09	IS	47	Gasoline
Flat tire series	CuB	4000 lbs	BF6CU09	IS	47	Gasoline
	CuB	6000 lbs	BF6CU09*	IS	47	Gasoline

* USA, CANADA, MEXICO and MARKET only.

VEHICLE MODEL

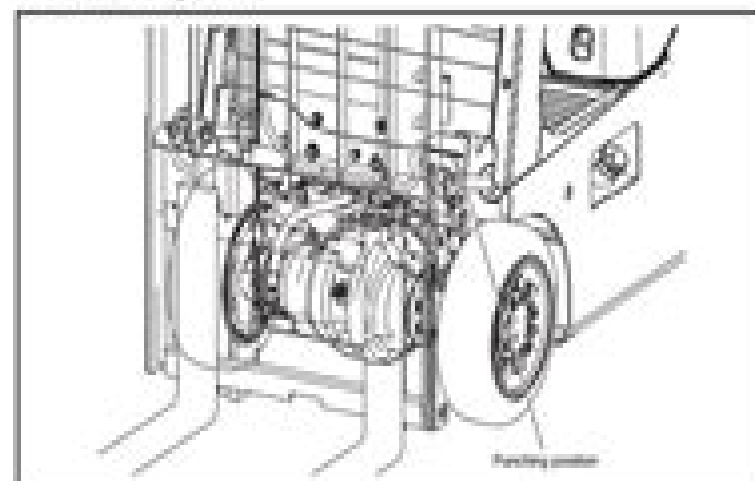
BF6CU18, 18,3U09

Series	Load Capacity	Vehicle Model	Transmission Type	Engines	
Flat tire series	2000 lbs	BF6CU18	IS	47	Gasoline
	3000 lbs	BF6CU18	IS	47	Gasoline
	3000 lbs	BF6CU09	IS	47	Gasoline

* USA and CANADA only.

FRAME NUMBER

Frame No. Punching Position



Series	Engines	Vehicle model	Punching format
Flat tire series	47	BF6CU18	BF6CU09 - ISM BF6CU09 - ISM
		BF6CU09	
		BF6CU09	

* ISM only.

Toyota Forklift Code And Service Manual

Robert Bently Publishers



Toyota Forklift Code And Service Manual:

Toyota Forklift ,1983 Toyota Forklift ,1986 Toyota Forklift Toyota Jidōsha Kabushiki Kaisha,1984 Materials Handling News ,1993 **Automotive News** ,1995 **Daily Labor Report** ,1995 *Miner. Western Miner and Oil Review* ,1977 *Maquila* ,1995 **.Purchasing** A Cahners Publication,1989 Government Reports Announcements & Index ,1991 *Transportation & Distribution* ,1997 *Thomas Register of American Manufacturers* ,2003 Vols for 1970 71 includes manufacturers catalogs *Toyota Hi-Lux Pick-up 1969 thru 1978* John Haynes,1965-06-01 Haynes offers the best coverage for cars trucks vans SUVs and motorcycles on the market today Each manual contains easy to follow step by step instructions linked to hundreds of photographs and illustrations Included in every manual troubleshooting section to help identify specific problems tips that give valuable short cuts to make the job easier and eliminate the need for special tools notes cautions and warnings for the home mechanic color spark plug diagnosis and an easy to use index **Environmental Pollution & Control** , Toyota Pickup Truck Service Manual ,1982 **Toyota Pickup Truck** Robert Bentley Publishers,1986-07-01 **Toyota Truck 1990 Service Manual** ,1989 *Toyota Pick-Up Truck and 4-Runner, 1978-1987* Robert Bentley,1987-07-01 **D. I. Y. Service Manual: Toyota Hi-Ace** Erwin Von Kloeg,1995-06-01 **Toyota Hi-Lux Repair Manual** ,1983

Immerse yourself in the artistry of words with is expressive creation, Immerse Yourself in **Toyota Forklift Code And Service Manual** . This ebook, presented in a PDF format (PDF Size: *), is a masterpiece that goes beyond conventional storytelling. Indulge your senses in prose, poetry, and knowledge. Download now to let the beauty of literature and artistry envelop your mind in a unique and expressive way.

<http://www.frostbox.com/files/Resources/index.jsp/Virtual%20Business%20Answers%202013.pdf>

Table of Contents Toyota Forklift Code And Service Manual

1. Understanding the eBook Toyota Forklift Code And Service Manual
 - The Rise of Digital Reading Toyota Forklift Code And Service Manual
 - Advantages of eBooks Over Traditional Books
2. Identifying Toyota Forklift Code And Service Manual
 - Exploring Different Genres
 - Considering Fiction vs. Non-Fiction
 - Determining Your Reading Goals
3. Choosing the Right eBook Platform
 - Popular eBook Platforms
 - Features to Look for in an Toyota Forklift Code And Service Manual
 - User-Friendly Interface
4. Exploring eBook Recommendations from Toyota Forklift Code And Service Manual
 - Personalized Recommendations
 - Toyota Forklift Code And Service Manual User Reviews and Ratings
 - Toyota Forklift Code And Service Manual and Bestseller Lists
5. Accessing Toyota Forklift Code And Service Manual Free and Paid eBooks
 - Toyota Forklift Code And Service Manual Public Domain eBooks
 - Toyota Forklift Code And Service Manual eBook Subscription Services
 - Toyota Forklift Code And Service Manual Budget-Friendly Options

6. Navigating Toyota Forklift Code And Service Manual eBook Formats
 - ePub, PDF, MOBI, and More
 - Toyota Forklift Code And Service Manual Compatibility with Devices
 - Toyota Forklift Code And Service Manual Enhanced eBook Features
7. Enhancing Your Reading Experience
 - Adjustable Fonts and Text Sizes of Toyota Forklift Code And Service Manual
 - Highlighting and Note-Taking Toyota Forklift Code And Service Manual
 - Interactive Elements Toyota Forklift Code And Service Manual
8. Staying Engaged with Toyota Forklift Code And Service Manual
 - Joining Online Reading Communities
 - Participating in Virtual Book Clubs
 - Following Authors and Publishers Toyota Forklift Code And Service Manual
9. Balancing eBooks and Physical Books Toyota Forklift Code And Service Manual
 - Benefits of a Digital Library
 - Creating a Diverse Reading Collection Toyota Forklift Code And Service Manual
10. Overcoming Reading Challenges
 - Dealing with Digital Eye Strain
 - Minimizing Distractions
 - Managing Screen Time
11. Cultivating a Reading Routine Toyota Forklift Code And Service Manual
 - Setting Reading Goals Toyota Forklift Code And Service Manual
 - Carving Out Dedicated Reading Time
12. Sourcing Reliable Information of Toyota Forklift Code And Service Manual
 - Fact-Checking eBook Content of Toyota Forklift Code And Service Manual
 - Distinguishing Credible Sources
13. Promoting Lifelong Learning
 - Utilizing eBooks for Skill Development
 - Exploring Educational eBooks
14. Embracing eBook Trends
 - Integration of Multimedia Elements

- Interactive and Gamified eBooks

Toyota Forklift Code And Service Manual Introduction

Toyota Forklift Code And Service Manual Offers over 60,000 free eBooks, including many classics that are in the public domain. Open Library: Provides access to over 1 million free eBooks, including classic literature and contemporary works. Toyota Forklift Code And Service Manual Offers a vast collection of books, some of which are available for free as PDF downloads, particularly older books in the public domain. Toyota Forklift Code And Service Manual : This website hosts a vast collection of scientific articles, books, and textbooks. While it operates in a legal gray area due to copyright issues, its a popular resource for finding various publications. Internet Archive for Toyota Forklift Code And Service Manual : Has an extensive collection of digital content, including books, articles, videos, and more. It has a massive library of free downloadable books. Free-eBooks Toyota Forklift Code And Service Manual Offers a diverse range of free eBooks across various genres. Toyota Forklift Code And Service Manual Focuses mainly on educational books, textbooks, and business books. It offers free PDF downloads for educational purposes. Toyota Forklift Code And Service Manual Provides a large selection of free eBooks in different genres, which are available for download in various formats, including PDF. Finding specific Toyota Forklift Code And Service Manual, especially related to Toyota Forklift Code And Service Manual, might be challenging as theyre often artistic creations rather than practical blueprints. However, you can explore the following steps to search for or create your own Online Searches: Look for websites, forums, or blogs dedicated to Toyota Forklift Code And Service Manual, Sometimes enthusiasts share their designs or concepts in PDF format. Books and Magazines Some Toyota Forklift Code And Service Manual books or magazines might include. Look for these in online stores or libraries. Remember that while Toyota Forklift Code And Service Manual, sharing copyrighted material without permission is not legal. Always ensure youre either creating your own or obtaining them from legitimate sources that allow sharing and downloading. Library Check if your local library offers eBook lending services. Many libraries have digital catalogs where you can borrow Toyota Forklift Code And Service Manual eBooks for free, including popular titles. Online Retailers: Websites like Amazon, Google Books, or Apple Books often sell eBooks. Sometimes, authors or publishers offer promotions or free periods for certain books. Authors Website Occasionally, authors provide excerpts or short stories for free on their websites. While this might not be the Toyota Forklift Code And Service Manual full book , it can give you a taste of the authors writing style. Subscription Services Platforms like Kindle Unlimited or Scribd offer subscription-based access to a wide range of Toyota Forklift Code And Service Manual eBooks, including some popular titles.

FAQs About Toyota Forklift Code And Service Manual Books

How do I know which eBook platform is the best for me? Finding the best eBook platform depends on your reading preferences and device compatibility. Research different platforms, read user reviews, and explore their features before making a choice. Are free eBooks of good quality? Yes, many reputable platforms offer high-quality free eBooks, including classics and public domain works. However, make sure to verify the source to ensure the eBook credibility. Can I read eBooks without an eReader? Absolutely! Most eBook platforms offer web-based readers or mobile apps that allow you to read eBooks on your computer, tablet, or smartphone. How do I avoid digital eye strain while reading eBooks? To prevent digital eye strain, take regular breaks, adjust the font size and background color, and ensure proper lighting while reading eBooks. What the advantage of interactive eBooks? Interactive eBooks incorporate multimedia elements, quizzes, and activities, enhancing the reader engagement and providing a more immersive learning experience. Toyota Forklift Code And Service Manual is one of the best book in our library for free trial. We provide copy of Toyota Forklift Code And Service Manual in digital format, so the resources that you find are reliable. There are also many Ebooks of related with Toyota Forklift Code And Service Manual. Where to download Toyota Forklift Code And Service Manual online for free? Are you looking for Toyota Forklift Code And Service Manual PDF? This is definitely going to save you time and cash in something you should think about.

Find Toyota Forklift Code And Service Manual :

virtual business answers 13

[vitruvian man meets the scientific method answers](#)

vizio 32 directv remote codes

vizio manual m322i-b1

vizio manual for e601i-a3

visual basic 20express edition

[violin music for oceans hillsong united](#)

vivitar xo29 user manual

vizio sound bar manual vsb211

visions in death in death book

vizio tv manual 47

vivitar user guide

[vizio m470nv user manual](#)

[virtualbox org user manual](#)

[vitz service manual](#)

Toyota Forklift Code And Service Manual :

guide du routard vietnam 2019 broché collectif fnac - Jul 05 2022

web guide du routard vietnam 2019 collectif hachette tourisme guides des milliers de livres avec la livraison chez vous en 1 jour ou en magasin avec 5 de réduction guide du routard vietnam 2019 broché collectif achat livre fnac

amazon fr guide routard vietnam - Jun 04 2022

web guide du routard vietnam 2018 de collectif 38 broché 15 65 livraison à 4 93 13 15 sept il ne reste plus que 2 exemplaire s en stock autres vendeurs sur amazon 4 97 13 offres de produits d occasion et neufs

[guide du routard vietnam 2018 pdf](#) - Apr 02 2022

web whispering the strategies of language an psychological journey through guide du routard vietnam 2018 in a digitally driven world where screens reign supreme and quick conversation drowns out the

[det guide du routard vietnam 2018 archives d anna](#) - Feb 12 2023

web det guide du routard vietnam 2018 hachette tourisme 2017 philippe gloaguen gloaguen philippe se promener dans les ruelles du quartier des 36 corporations à hanoi remonter la rivière des parfums à hué cheminer sur la piste hô chi minh dans les montagnes et les jungles de la cordillère annamitique

guide du routard vietnam 2018 collectif google books - Apr 14 2023

web cet ebook est une version numérique du guide papier sans interactivité supplémentaire se promener dans les ruelles du quartier des 36 corporations à hanoi remonter la rivière des

[guide du routard vietnam 2018 le routard french edition](#) - Oct 08 2022

web sep 6 2017 guide du routard vietnam 2018 le routard french edition on amazon com free shipping on qualifying offers guide du routard vietnam 2018 le routard french edition

guide du routard vietnam 2018 hachette fr - Jun 16 2023

web se promener dans les ruelles du quartier des 36 corporations à hanoi remonter la rivière des parfums à hué cheminer sur la piste hô chi minh dans les montagnes et les jungles de la cordillère annamitique passer quelques jours sur l île de phú quôc

voyage vietnam partir en vacances au vietnam routard com - May 15 2023

web asie vietnam carte vietnam l essentiel voyage vietnam acheter le guide papier ebook ruiné et dévasté par 30 années de

combat pour la réunification 1975 le vietnam

amazon fr guide du routard vietnam 2018 collectif livres - Jul 17 2023

web noté 5 retrouvez guide du routard vietnam 2018 et des millions de livres en stock sur amazon fr achetez neuf ou d occasion

guide du routard vietnam 2018 amazon co uk le routard - Jan 11 2023

web buy guide du routard vietnam 2018 by le routard isbn 9782012800052 from amazon s book store everyday low prices and free delivery on eligible orders

guide du routard vietnam 2018 le routard by le routard - Nov 09 2022

web se promener dans les ruelles du quartier des 36 corporations à hanoi remonter la rivière des guide du routard vietnam 2018 le routard by le routard goodreads

guide du routard vietnam 2018 étranger guides hachette - Dec 10 2022

web cheminer sur la piste hô chi minh dans les montagnes et les jungles de la cordillère annamitique passer quelques jours sur l île de phú quốc séjourner chez l habitant au coeur du delta du mékong et naviguer dans le dédale des tunnels cachés sous la végétation tropicale luxuriante

guide du routard vietnam 2022 23 - Mar 01 2022

web cet ebook est une version numérique du guide papier sans interactivité additionnelle dans le routard vietnam mis à jour vous trouverez une première partie tout en couleurs pour

amazon fr vietnam guide du routard - Dec 30 2021

web 1 48 sur 107 résultats pour vietnam guide du routard résultats

guide du routard vietnam 2018 fnac - Aug 18 2023

web bon plan edition 2018 guide du routard vietnam 2018 collectif hachette tourisme guides des milliers de livres avec la livraison chez vous en 1 jour ou en magasin avec 5 de réduction 0 17 sur guide du routard vietnam 2018 edition 2018 broché collectif achat livre fnac

amazon fr guide du routard vietnam 2019 collectif livres - May 03 2022

web amazon fr guide du routard vietnam 2019 collectif livres livres séries de livres tourisme et voyages neuf 10 33 prix conseillé 14 95 détails Économisez 4 62 31 tous les prix incluent la tva livraison à 7 25 1 3 juillet détails entrez votre adresse habituellement expédié sous 3 à 4 jours ajouter au panier

guide du routard vietnam 2018 broché fnac belge - Mar 13 2023

web fnac edition 2018 guide du routard vietnam 2018 collectif hachette tourisme guides livraison chez vous ou en magasin et 5 sur tous les livres achetez neuf ou d occasion

guide du routard vietnam 2022 23 broché collectif fnac - Jan 31 2022

web aug 25 2021 9 avis feuilleter format broché broché 15 95 ebook epub 10 99 résumé voir tout nouvelle mise à jour du routard le guide de voyage n 1 en france déambuler à pied dans les ruelles du quartier des 36 corporations à hanoi passer une nuit sur une jonque hôtel dans la baie d ha long

amazon fr le guide du routard vietnam - Aug 06 2022

web 1 48 sur 65 résultats pour le guide du routard vietnam résultats en apprendre plus sur ces résultats guide du routard vietnam 2022 23 de le routard

guide du routard vietnam 2018 9782012800052 amazon com au - Sep 07 2022

web guide du routard vietnam 2018 on amazon com au free shipping on eligible orders guide du routard vietnam 2018

410c backhoe loader 410c 510c and 610c backhoe - Nov 13 2021

web john deere part john deere catalog catalog 410c backhoe 391882 410c backhoe loader 410c 510c and 610c backhoe loaders epc john deere

[john deere 610c attachments tractordata com](#) - Aug 23 2022

web oct 1 2021 overview engine transmission dimensions photos attachments attachment overview front end loader backhoe page information copyright 2021

john deere 610c loader backhoe specs length width height - Jan 28 2023

web use our database to find specs for your john deere 610c loader backhoe our database of specs has everything you need when looking for the height weight length or width of

non current backhoes construction john deere us - Jun 01 2023

web view and download brochures and specifications for all non current construction backhoes

410c 510c and 610c backhoe loaders introduction pdf - Jul 22 2022

web 1 designates backhoe loader manufacturer to john deere dubuque works 2 designates backhoe loader model 410 c 510 c 610 c 3

john deere 610b 610c backhoe repair service manual - Jan 16 2022

web our mission this is printed repair service manual from john deere which contains periodic maintenance charts step by step repair instructions troubleshooting information and

[tractordata com john deere 610c backhoe loader tractor engine](#) - Nov 25 2022

web oct 1 2021 john deere 610c engine overview engine transmission dimensions photos attachments 1986 1990 backhoe loader tractor page information contact

1985 john deere 610c backhoe loader ritchielist com - Sep 23 2022

web description enclosed cab with heat 2 wheel drive extendahoe 80 horsepower 24 backhoe bucket manual backhoe bucket coupler 80 tires 2 stick backhoe

john deere 610c backhoe loader construction equipment guide - Jul 02 2023

web operating specifications tires rear tires size 19 5l 24 12pr r4 transmission specs for the john deere 610c find equipment specs and information for this and other

john deere 610b 610c backhoe operation service manual - May 20 2022

web 1 john deere 610b 610c backhoe loader operation and test 2 john deere 610b 610c backhoe loader repair technical manual this original factory manual includes

john deere 610c loader backhoe ritchiespecs - Aug 03 2023

web find john deere 610c loader backhoe for sale see john deere loader backhoe for sale ironplanet com see john deere loader backhoe for sale mascus com top

john deere 610c backhoe loader specs allspecsinfo - Jun 20 2022

web sep 25 2022 john deere 610c backhoe loader specs september 25 2022 by smartinformers here you can find the john deere 610c backhoe loader

john deere 610c backhoe loader technical specs many tractors - Oct 25 2022

web detailed review of john deere 610c backhoe loader john deere produced its 610c backhoe loader backhoe loader model from 1986 in united states talking dimensions

backhoe loaders john deere 610c specifications machine market - Apr 30 2023

web john deere 610c earthmoving equipment backhoe loaders john deere has beefed up their heavy equipment lineup in a big way with reliable product support from the design

john deere 610c dimensions tractordata com - Dec 27 2022

web oct 1 2021 john deere 610c dimensions overview engine transmission dimensions photos attachments 1986 1990 backhoe loader tractor page information 2000

john deere 610c backhoe parts ams construction parts - Apr 18 2022

web looking for john deere 610c backhoe parts we sell a wide range of new aftermarket used and rebuilt 610c replacement parts to get your machine back up and running

john deere 610b 610c backhoe loaders operation and test - Mar 18 2022

web this highly detailed pdf manual covers all repairs servicing and troubleshooting procedures all technical details taken directly from the manufacturer can be found in this

deere 610c loader backhoes auction results - Feb 26 2023

web jun 3 2021 view details updated tuesday april 11 2023 01 35 pm 1987 deere 610c loader backhoes sold price log in to see more details auction ended march 26

[john deere 610c loader backhoe dimensions specs](#) - Mar 30 2023

web john deere 610c loader backhoe dimensions view size weight and specifications for a variety of similar equipment from top manufacturers

john deere 610b 610c backhoe loaders repair technical manual - Feb 14 2022

web technical manual john deere 610b 610c backhoe loaders this manual contains high quality images diagrams instructions to help you to operate maintenance remove

[tractordata com john deere 610c backhoe loader tractor](#) - Sep 04 2023

web oct 1 2021 john deere 610c overview engine transmission dimensions photos attachments 1986 1990 backhoe loader tractor john deere 610c transmission 8

john deere 610b 610c backhoe loader repair technical manual - Dec 15 2021

web pay today download immediately 19 99 add to cart download complete technical repair manual for john deere 610b 610c backhoe loader it covers

[610c backhoe loader 16 300 lb 7400 kg john deere naf](#) - Oct 05 2023

web 610c backhoe loader 16 300 lb 7400 kg transport height 11 ft 3 35 m transport length 23 ft 4 in 7 1 m machine width 7 ft 1 in 2 18 m

wieso weshalb warum junior band 66 helfen - Aug 08 2023

web helfen teilen sich vertragen 32944 und weitere kinderbücher online kaufen oder in 18 filialen abholen sie haben javascript und oder cookies deaktiviert um den vollen

helfen teilen sich vertragen online bestellen müller Österreich - Nov 18 2021

helfen teilen sich vertragen wieso weshalb warum - Sep 28 2022

web apr 1 2019 amazon com helfen teilen sich vertragen 9783473329441 doris rī ½bel books skip to main content us delivering to lebanon 66952 choose location for most

wieso weshalb warum junior band 66 helfen teilen sich - May 05 2023

web weshalb warum junior band 66 pdf pdf helfen teilen sich vertragen wieso weshalb warum junior band 66 pdf by by spiralbindung this helfen teilen sich

[helfen teilen sich vertragen wieso weshalb warum junior](#) - Feb 02 2023

web helfen teilen sich vertragen wieso weshalb warum livre état très bon eur 16 33 À vendre articles d occasion contrôlés

certified second hand articles

wieso weshalb warum junior band 66 helfen teilen sich - Jan 01 2023

web helfen und teilen aber auch trösten gehören zu den sogenannten prosozialen verhaltensweisen mit denen eine person einer anderen etwas gutes tut diese

helfen teilen sich vertragen wieso weshalb warum junior - Dec 20 2021

ravensburger wieso weshalb warum helfen teilen sich - Jul 07 2023

web wieso weshalb warum helfen teilen sich vertragen en cazip fiyat ile türk alman kitabevi nde keşfetmek için hemen tıklayınız kitap 90 212 293 77 31 cafe

wieso weshalb warum junior band 66 helfen - Oct 10 2023

web warum junior band 66 helfen teilen sich vertragen wieso weshalb warum junior 66 rübel doris rübel doris amazon de bücher bücher kinderbücher heranwachsen soziales umfeld neu 11 99 weitere informationen kostenfreie

helfen teilen sich vertragen wieso weshalb - Apr 04 2023

web helfen teilen sich vertragen wieso weshalb warum junior audible hörbuch ungekürzte ausgabe doris rübel autor marion elskis erzähler 2 mehr 4 8 3 845

wieso weshalb warum junior band 66 helfen teilen sich - Aug 28 2022

web weshalb warum junior helfen teilen sich vertragen von doris rübel geschäftskunden kundenprogramme orell füssli startseite vor ort helfen teilen

helfen teilen sich vertragen amazon com - Jul 27 2022

web warum junior helfen teilen sich vertragen cd standard audio format hörspiel audio cd cd 18 märz 2021 von doris rübel autor marion elskis erzähler vincent

amazon com tr müşteri yorumları wieso weshalb warum - Mar 23 2022

web helfen teilen sich vertragen book read reviews from world s largest community for readers

wieso weshalb warum junior helfen teilen sich vertragen - May 25 2022

web amazon com tr sitesinde wieso weshalb warum junior helfen teilen sich vertragen ürünü için faydalı müşteri yorumlarını ve derecelendirmeleri bulabilirsiniz

wieso weshalb warum junior band 66 helfen teilen sich - Sep 09 2023

web oct 15 2021 warum junior band 66 helfen teilen sich vertragen 1 11 99 auf lager in den warenkorb alle preise inkl mwst zzgl versandkosten 14 tage kostenlose

ravensburger wieso weshalb warum junior helfen teilen - Oct 30 2022

web meine tochter hatte sich das buch von mir für meinen enkel gewünscht es sind schon mehrere der tollen bücher aus der wieso weshalb warum reihe vorhanden und sie

[helfen teilen sich vertragen by doris rübel goodreads](#) - Jan 21 2022

web in der familie sind viele dinge für alle da die badewanne die zahnpaste das essen da muss man lernen zu teilen mal fällt teilen leicht mal schwer und oft muss man sich

pdf helfen teilen sich vertragen wieso weshalb warum - Mar 03 2023

web als nina grossmutter bin ich im besitz von vielen wieso weshalb warum bücher meine enkel von 3 2 2 jahren lieben diese bücher und ich bin die

wieso weshalb warum junior helfen teilen sich vertragen - Jun 25 2022

web weshalb warum junior helfen teilen sich vertragen von doris rübel thalia startseite vor ort mein konto merktzettel warenkorb suche formular zurücksetzen

helfen teilen sich vertragen wieso weshalb warum livre - Nov 30 2022

web helfen teilen sich vertragen wieso weshalb warum junior folge 66 von doris rübel geschäftskunden kundenprogramme orell füssli startseite vor ort helfen

wieso weshalb warum helfen teilen sich vertragen - Jun 06 2023

web warum junior helfen teilen sich vertragen band 66 zu hause im kindergarten auf dem spielplatz fast immer sind wir mit anderen menschen zusammen dieser band zeigt

helfen teilen sich vertragen buch bestellen weltbild - Feb 19 2022

web helfen teilen sich vertragen wieso weshalb warum junior audio download doris rübel marion elskis vincent richter jumbo neue medien verlag gmbh amazon

wieso weshalb warum junior helfen teilen sich vertragen - Apr 23 2022

web helfen teilen sich vertragen wieso weshalb warum junior bd 66 autor doris rübel 5sterne 4 hineinblättern merken teilen zu hause im kindergarten auf dem