

VCR Loading Operations

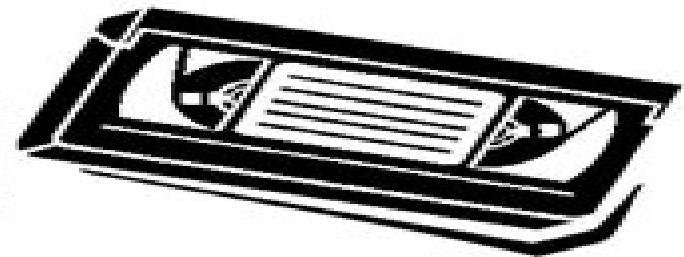
By Robert Epperson

Cassette Holder Control

When the mechanism state switch (S2104) is set to the *EJECT* position, the cassette holder mechanism is powered by the capstan motor, in order to carry out the cassette loading process. Both the speed and directional rotation of the capstan motor are controlled by the System Control Microprocessor.

As illustrated in *Figure 1*, capstan motor speed is determined by the two voltages applied to the capstan motor drive *IC81M*:

- Drive voltage applied to pin 5 from pin 27 of the Servo *IC601* during cassette loading and eject.
- Power supply voltage applied to pin 6. This voltage originates from pin 18 (*V.CAPST. CONT.*) as a PWM signal through Q872, LPF, Q873, and Q874. This voltage varies



during normal operational modes from 10v to 13v. During cassette loading and eject, it is fixed at 13v.

The rotational direction of the capstan motor is determined by the logic at pin 41 of the System Control Microprocessor, and applied to pin 22 of *IC81M*. The logic is *LOW* during cassette loading, and *HIGH* during *EJECT*. When the cassette loading or *EJECT* operation

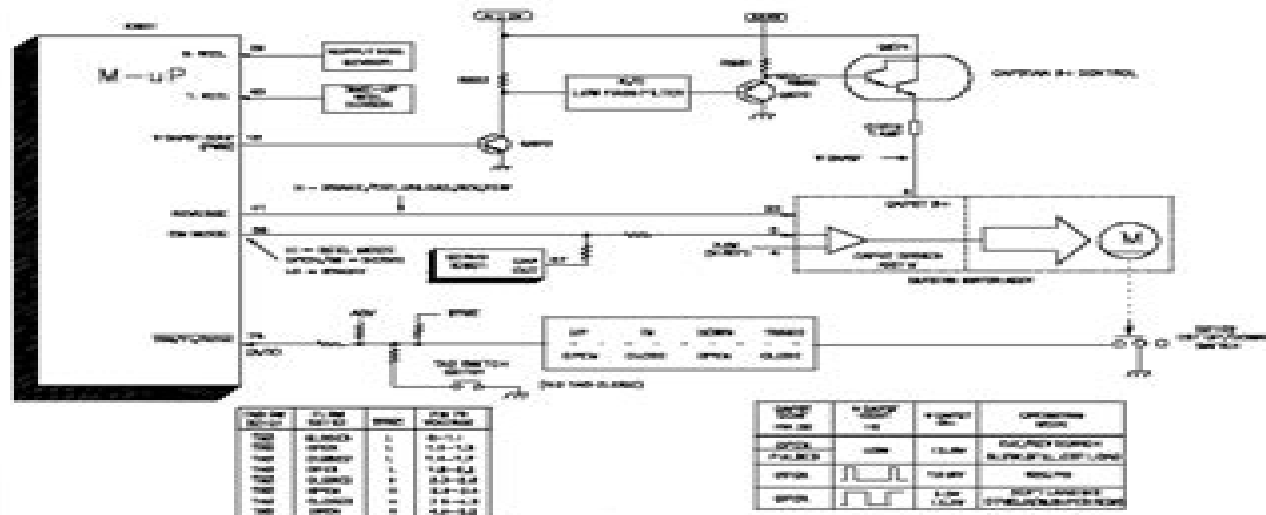


Figure 1

INSIDE...
NEXT MONTH...

VCR LOADING/UNLOADING OPERATIONS
PROJECTION TV SELF-DIAGNOSTIC CODES

Vcr Hitachi Service Manual

Tao Wei



Vcr Hitachi Service Manual:

Chilton's Guide to VCR Repair and Maintenance Gene B. Williams, Tommy Kay, 1985-09 *ES&T Presents VCR Troubleshooting and Repair* J. B. Hall, Nils Conrad Perrson, 1999 This book provides information that can help solve troubleshooting repairs before they interfere with your deadlines Whether you are an electronics hobbyist or a professional technician this book reveals insider tips and secrets that can increase your proficiency and production **Technician's Handbook of VCR Repair** John P. Steiner, 1990 Based on specifications and information from major VCR and test equipment manufacturers with the author's diagnostic and repair techniques this text provides the training needed by repair technicians Annotation copyrighted by Book News Inc Portland OR Electronic Troubleshooting and Repair Handbook Homer L. Davidson, 1995 **Educational and Industrial Television**, 1983 **Annual Index**, 1995 Japanese Technical Periodical Index, 1987 **Journal of Electronic Engineering**, 1989 **Popular Photography**, 1996-07 Popular Photography, 1996-01 **Popular Photography**, 1995-08 Popular Photography, 1994-09 **Popular Photography**, 1988-01 **Popular Photography**, 1996-06 *Popular Photography*, 1996-01 *Popular Photography*, 1994-05 **Popular Photography**, 1995-10 *Popular Photography*, 1995-06 Popular Photography, 1996-05 *Popular Photography*, 1992-07

When people should go to the book stores, search commencement by shop, shelf by shelf, it is in reality problematic. This is why we give the books compilations in this website. It will no question ease you to look guide **Vcr Hitachi Service Manual** as you such as.

By searching the title, publisher, or authors of guide you essentially want, you can discover them rapidly. In the house, workplace, or perhaps in your method can be all best place within net connections. If you point toward to download and install the Vcr Hitachi Service Manual, it is unconditionally easy then, previously currently we extend the partner to purchase and make bargains to download and install Vcr Hitachi Service Manual thus simple!

<http://www.frostbox.com/public/book-search/Documents/Stihl%20Fs%20560%20Parts%20Guide.pdf>

Table of Contents Vcr Hitachi Service Manual

1. Understanding the eBook Vcr Hitachi Service Manual
 - The Rise of Digital Reading Vcr Hitachi Service Manual
 - Advantages of eBooks Over Traditional Books
2. Identifying Vcr Hitachi Service Manual
 - Exploring Different Genres
 - Considering Fiction vs. Non-Fiction
 - Determining Your Reading Goals
3. Choosing the Right eBook Platform
 - Popular eBook Platforms
 - Features to Look for in an Vcr Hitachi Service Manual
 - User-Friendly Interface
4. Exploring eBook Recommendations from Vcr Hitachi Service Manual
 - Personalized Recommendations
 - Vcr Hitachi Service Manual User Reviews and Ratings
 - Vcr Hitachi Service Manual and Bestseller Lists

5. Accessing Vcr Hitachi Service Manual Free and Paid eBooks
 - Vcr Hitachi Service Manual Public Domain eBooks
 - Vcr Hitachi Service Manual eBook Subscription Services
 - Vcr Hitachi Service Manual Budget-Friendly Options
6. Navigating Vcr Hitachi Service Manual eBook Formats
 - ePub, PDF, MOBI, and More
 - Vcr Hitachi Service Manual Compatibility with Devices
 - Vcr Hitachi Service Manual Enhanced eBook Features
7. Enhancing Your Reading Experience
 - Adjustable Fonts and Text Sizes of Vcr Hitachi Service Manual
 - Highlighting and Note-Taking Vcr Hitachi Service Manual
 - Interactive Elements Vcr Hitachi Service Manual
8. Staying Engaged with Vcr Hitachi Service Manual
 - Joining Online Reading Communities
 - Participating in Virtual Book Clubs
 - Following Authors and Publishers Vcr Hitachi Service Manual
9. Balancing eBooks and Physical Books Vcr Hitachi Service Manual
 - Benefits of a Digital Library
 - Creating a Diverse Reading Collection Vcr Hitachi Service Manual
10. Overcoming Reading Challenges
 - Dealing with Digital Eye Strain
 - Minimizing Distractions
 - Managing Screen Time
11. Cultivating a Reading Routine Vcr Hitachi Service Manual
 - Setting Reading Goals Vcr Hitachi Service Manual
 - Carving Out Dedicated Reading Time
12. Sourcing Reliable Information of Vcr Hitachi Service Manual
 - Fact-Checking eBook Content of Vcr Hitachi Service Manual
 - Distinguishing Credible Sources
13. Promoting Lifelong Learning

- Utilizing eBooks for Skill Development
 - Exploring Educational eBooks
14. Embracing eBook Trends
- Integration of Multimedia Elements
 - Interactive and Gamified eBooks

Vcr Hitachi Service Manual Introduction

In this digital age, the convenience of accessing information at our fingertips has become a necessity. Whether its research papers, eBooks, or user manuals, PDF files have become the preferred format for sharing and reading documents. However, the cost associated with purchasing PDF files can sometimes be a barrier for many individuals and organizations. Thankfully, there are numerous websites and platforms that allow users to download free PDF files legally. In this article, we will explore some of the best platforms to download free PDFs. One of the most popular platforms to download free PDF files is Project Gutenberg. This online library offers over 60,000 free eBooks that are in the public domain. From classic literature to historical documents, Project Gutenberg provides a wide range of PDF files that can be downloaded and enjoyed on various devices. The website is user-friendly and allows users to search for specific titles or browse through different categories. Another reliable platform for downloading Vcr Hitachi Service Manual free PDF files is Open Library. With its vast collection of over 1 million eBooks, Open Library has something for every reader. The website offers a seamless experience by providing options to borrow or download PDF files. Users simply need to create a free account to access this treasure trove of knowledge. Open Library also allows users to contribute by uploading and sharing their own PDF files, making it a collaborative platform for book enthusiasts. For those interested in academic resources, there are websites dedicated to providing free PDFs of research papers and scientific articles. One such website is Academia.edu, which allows researchers and scholars to share their work with a global audience. Users can download PDF files of research papers, theses, and dissertations covering a wide range of subjects. Academia.edu also provides a platform for discussions and networking within the academic community. When it comes to downloading Vcr Hitachi Service Manual free PDF files of magazines, brochures, and catalogs, Issuu is a popular choice. This digital publishing platform hosts a vast collection of publications from around the world. Users can search for specific titles or explore various categories and genres. Issuu offers a seamless reading experience with its user-friendly interface and allows users to download PDF files for offline reading. Apart from dedicated platforms, search engines also play a crucial role in finding free PDF files. Google, for instance, has an advanced search feature that allows users to filter results by file type. By specifying the file type as "PDF," users can find websites that offer free PDF downloads on a specific topic. While downloading Vcr Hitachi Service Manual free PDF files is convenient, its

important to note that copyright laws must be respected. Always ensure that the PDF files you download are legally available for free. Many authors and publishers voluntarily provide free PDF versions of their work, but its essential to be cautious and verify the authenticity of the source before downloading Vcr Hitachi Service Manual. In conclusion, the internet offers numerous platforms and websites that allow users to download free PDF files legally. Whether its classic literature, research papers, or magazines, there is something for everyone. The platforms mentioned in this article, such as Project Gutenberg, Open Library, Academia.edu, and Issuu, provide access to a vast collection of PDF files. However, users should always be cautious and verify the legality of the source before downloading Vcr Hitachi Service Manual any PDF files. With these platforms, the world of PDF downloads is just a click away.

FAQs About Vcr Hitachi Service Manual Books

What is a Vcr Hitachi Service Manual PDF? A PDF (Portable Document Format) is a file format developed by Adobe that preserves the layout and formatting of a document, regardless of the software, hardware, or operating system used to view or print it. **How do I create a Vcr Hitachi Service Manual PDF?** There are several ways to create a PDF: Use software like Adobe Acrobat, Microsoft Word, or Google Docs, which often have built-in PDF creation tools. Print to PDF: Many applications and operating systems have a "Print to PDF" option that allows you to save a document as a PDF file instead of printing it on paper. Online converters: There are various online tools that can convert different file types to PDF. **How do I edit a Vcr Hitachi Service Manual PDF?** Editing a PDF can be done with software like Adobe Acrobat, which allows direct editing of text, images, and other elements within the PDF. Some free tools, like PDFescape or Smallpdf, also offer basic editing capabilities. **How do I convert a Vcr Hitachi Service Manual PDF to another file format?** There are multiple ways to convert a PDF to another format: Use online converters like Smallpdf, Zamzar, or Adobe Acrobats export feature to convert PDFs to formats like Word, Excel, JPEG, etc. Software like Adobe Acrobat, Microsoft Word, or other PDF editors may have options to export or save PDFs in different formats. **How do I password-protect a Vcr Hitachi Service Manual PDF?** Most PDF editing software allows you to add password protection. In Adobe Acrobat, for instance, you can go to "File" -> "Properties" -> "Security" to set a password to restrict access or editing capabilities. Are there any free alternatives to Adobe Acrobat for working with PDFs? Yes, there are many free alternatives for working with PDFs, such as: LibreOffice: Offers PDF editing features. PDFsam: Allows splitting, merging, and editing PDFs. Foxit Reader: Provides basic PDF viewing and editing capabilities. How do I compress a PDF file? You can use online tools like Smallpdf, ILovePDF, or desktop software like Adobe Acrobat to compress PDF files without significant quality loss. Compression reduces the file size, making it easier to share and download. Can I fill out forms in a PDF file? Yes, most PDF viewers/editors like Adobe Acrobat, Preview (on

Mac), or various online tools allow you to fill out forms in PDF files by selecting text fields and entering information. Are there any restrictions when working with PDFs? Some PDFs might have restrictions set by their creator, such as password protection, editing restrictions, or print restrictions. Breaking these restrictions might require specific software or tools, which may or may not be legal depending on the circumstances and local laws.

Find Vcr Hitachi Service Manual :

stihl fs 560 parts guide

~~stihl engine manual blower~~

stone champion concrete mixer manual

stihl trimmer fse 60 manual

storkeeper study guide

~~stihl 034 av super chainsaw manual~~

stock market basics guide learning seed

stories from ancient rome illustrated

stihl fs 55 string trimmer parts manual

stoichiometry explore learning activity b

stihl ms parts lookup manual hs 45

stihl br 500 550 600 parts workshop service repair manual

~~stihl ms361 service manual~~

stihl ms 440 manual

stihl ms 200 t power tool service manual

Vcr Hitachi Service Manual :

download solutions descartes in 90 minutes philosophers in 90 minute - Jun 02 2022

web two giants of philosophy themselves proud irascible larger than life and spoiling for a fight the philosophy book jan 23

2021 what existed before the universe was created where does self worth come from do the ends always justify the means

the philosophy book answers the most profound questions we all have it is your

descartes in 90 minutes philosophers in 90 minutes - Dec 08 2022

web descartes in 90 minutes philosophers in 90 minutes paperback by strathern paul at abebooks co uk isbn 10 1566631297

isbn 13 9781566631297 ivan r dee publisher 1996 softcover

descartes in 90 minutes philosophers in 90 minutes their lives - Oct 06 2022

web apr 18 1996 descartes in 90 minutes philosophers in 90 minutes their lives work by paul strathern april 18 1996

constable and robinson edition descartes in 90 minutes philosophers in 90 minutes their lives work by paul strathern

descartes in 90 minutes by paul strathern goodreads - May 13 2023

web in descartes in 90 minutes paul strathern offers a concise expert account of descartes s life and ideas and explains their influence on man s struggle to understand his existence in the world the book also includes selections from descartes s work a brief list of suggested reading for those who wish to push further and chronologies that

descartes in 90 minutes philosophers in 90 minutes open library - Mar 11 2023

web descartes in 90 minutes philosophers in 90 minutes by paul strathern october 2003 blackstone audiobooks edition audio cassette in english unabridged edition

descartes in 90 minutes philosophers in 90 minute pdf 2023 - Sep 05 2022

web descartes in 90 minutes philosophers in 90 minute pdf pages 3 10 descartes in 90 minutes philosophers in 90 minute pdf upload mita v grant 3 10 downloaded from devy ortax org on september 4 2023 by mita v grant creates a sense of time place and character i cannot think of a better

descartes in 90 minutes summary 8 10 by sud alogu medium - May 01 2022

web nov 13 2022 descartes in 90 minutes by paul strathern is a book about the life and work of the philosopher mathematician and scientist rene descartes descartes is considered one of the most

descartes in 90 minutes philosophers in 90 minutes audio - Jul 15 2023

web oct 1 2003 in descartes in 90 minutes paul strathern offers a concise expert account of descartes s life and ideas and explains their influence on man s struggle to understand his existence in the world the book also includes selections from descartes s work a brief list of suggested readings for those who wish to delve deeper and chronologies that

philosophers in 90 minutes series by paul strathern goodreads - Feb 10 2023

web descartes in 90 minutes by paul strathern 3 51 853 ratings 98 reviews published 1996 29 editions each of these little books is witty and dramatic want to read rate it dewey in 90 minutes

descartes in 90 minutes amazon com - Jul 03 2022

web this internal information he believed was the true reality and external forces were hopelessly deceiving in descartes in 90 minutes paul strathern offers a concise expert account of descartes life and ideas and explains their influence on man s struggle to understand his existence in the world read more

descartes in 90 minutes lib e philosophers in 90 minutes - Jun 14 2023

web oct 1 2003 in descartes in 90 minutes paul strathern offers a concise expert account of descartes s life and ideas and explains their influence on man s struggle to understand his existence in the world

descartes in 90 minutes philosophers in 90 minutes open library - Apr 12 2023

web descartes in 90 minutes philosophers in 90 minutes by paul strathern january 1 1990 ivan r dee publisher edition hardcover in english open market ed edition

descartes in 90 minutes philosophers in 90 minute john sutton - Aug 04 2022

web schopenhauer in 90 minutes paul strathern 1999 a brief and enlightening exploration of one of our greatest thinkers meditations and other metaphysical writings rené descartes 2003 08 28 of all the works of the man claimed by many as the father of modern philosophy the meditations first published in 1641 must surely be rene

descartes in 90 minutes philosophers in 90 minutes their lives - Jan 29 2022

web oct 18 2021 descartes in 90 minutes philosophers in 90 minutes their lives work p a u l s t r a t h e r n on completion of a course you will earn a statement of participation borrow 6 2 week 6 learning outcomes jul 13 2021

descartes in 90 minutes by paul strathern overdrive - Nov 07 2022

web in descartes in 90 minutes paul strathern offers a concise expert account of descartes s life and ideas and explains their influence on man s struggle to understand his existence in the world

descartesin90minutesphilosophersin90minute - Dec 28 2021

web 2 philosophers in 90 minutes series by paul strathern goodreads 28 primary works 28 total works aristotle in 90 minutes by paul strathern 3 31 1 416 ratings 135 reviews

descartes in 90 minutes philosophers in 90 minutes series - Feb 27 2022

web 2149220 7303 completed mia owens and her mother have just moved to california from england to find a better life mia just wants to live easy go to school hag out with friends that was until ian marsh turned her life upside down

rené descartes rationalism dualism philosophy britannica - Mar 31 2022

web rené descartes rationalism dualism philosophy in 1641 descartes published the meditations on first philosophy in which is proved the existence of god and the immortality of the soul written in latin and dedicated to the jesuit professors at the sorbonne in paris the work includes critical responses by several eminent

philosophy in 90 minutes series wikipedia - Jan 09 2023

web the philosophy in 90 minutes series written by paul strathern is a series of short introductory biographical overviews on well known philosophers set in brief historical context along with brief impressions of their philosophies the books are also produced in audio format read by narrator robert whitfield

descartes in 90 minutes philosophers in 90 minutes series - Aug 16 2023

web sep 1 1996 descartes in 90 minutes philosophers in 90 minutes series strathern paul 9781566631297 amazon com books books politics social sciences philosophy

accès à vos données personnelles règles de confidentialité et - Dec 28 2021

web accès à vos données personnelles exemples par exemple google dashboard vous permet de visualiser rapidement et facilement une partie des données associées à votre compte google découvrir maintenant grâce au service télécharger vos données vous pouvez effectuer une copie de vos données à partir d un grand nombre de nos

consulter un résumé des données de votre compte google - Aug 04 2022

web conseil vous pouvez accéder directement à google dashboard accédez à votre compte google dans le panneau de navigation cliquez sur données et vie privée sous vos données et options de

localiser contrôler et supprimer les informations de votre compte - Jun 14 2023

web localiser un aperçu de vos données accédez à google dashboard pour voir un résumé de vos données dans différents services google tels que gmail drive et agenda localiser et

verif com rcs siret siren tva bilan toute les informations - Jan 29 2022

web rechercher parmi plus de 15 millions d entreprises référencées verif com vous accompagne sur l information légale juridique et financière des sociétés françaises chiffre d affaires résultat bilan siren adresse sociétés

trouver conjugaison du verbe trouver le conjugueur - Nov 07 2022

web définition du verbe trouver 1 rencontrer ce qu on cherche ou par hasard 2 découvrir inventer par l étude et la réflexion ex trouver un remède 3 se trouver se rencontrer en un lieu en parlant des choses ou des personnes emploi du verbe trouver fréquent transitif autorise la forme pronominale tournure de phrase avec le

email finder recherche gratuite d emails par nom hunter - May 01 2022

web la meilleure solution pour trouver des adresses email professionnelles saisissez le nom d une personne et de son entreprise pour trouver son adresse email en quelques secondes

trouver conjugaison du verbe trouver conjuguer trouver - Oct 06 2022

web la conjugaison du verbe trouver sa définition et ses synonymes conjuguer le verbe trouver à indicatif subjonctif impératif infinitif conditionnel participe gérondif

contrôler les informations affichées à votre sujet dans les - Sep 05 2022

web accédez à votre compte google À gauche cliquez sur informations personnelles sous choisissez ce que les autres voient cliquez sur accéder à la page À propos de moi en dessous d un type

vérification actualités vidéos et infos en direct le monde fr - Apr 12 2023

web le décodex est un outil pour vous aider à vérifier les informations qui circulent sur internet et dénicher les rumeurs fake

news intox faits alternatifs réinformatons ou déformations

4 manières de trouver des informations sur une personne wikihow - Jul 15 2023

web méthode 1 rechercher une personne en ligne télécharger l'article 1 commencez par faire une recherche d'ordre général les moteurs de recherche comme google ou bing sont gratuits et faciles à utiliser

comment trouver des informations sur quelqu'un en ligne 7 - Jul 03 2022

web jan 4 2019 voici les étapes à suivre pour rechercher des informations sur une personne en ligne Étape 1 vérifiez la recherche google google devrait toujours être votre premier point de contact une simple recherche peut révéler toutes sortes d'informations sur une personne y compris son travail sa famille et la ville dans laquelle elle vit

effectuer une recherche à l'aide d'une image sur google - Mar 31 2022

web rechercher des images sur google effectuer une recherche à l'aide d'une image sur google résoudre les problèmes liés à google images trouver des images que vous pouvez utiliser

comment trouver une info rapidement sur google femme actuelle - Feb 27 2022

web jun 9 2016 il faut savoir faire une recherche claire et précise pour trouver ce que l'on veut pour éviter de se perdre dans le dédale des milliards de pages web existantes nos astuces

3 manières de vérifier l'information sur internet - May 13 2023

web 1 vérifiez l'exactitude de toutes les citations et affirmations les mêmes et les images contiennent des citations attribuées à des personnes particulières et peuvent circuler à grande échelle en particulier sur les médias sociaux Éventuellement vérifiez en ligne rapidement l'origine de la citation et son auteur

afficher les informations de votre pc support microsoft - Jan 09 2023

web afficher les informations de votre pc windows 10 tapez à propos dans la zone de recherche de la barre des tâches puis sélectionnez à propos de votre pc afficher les informations sur votre pc abonner les flux rss besoin d'aide vous voulez plus d'options découvrir communauté

franceinfo actualités en temps réel et info en direct - Mar 11 2023

web pour savoir ce qui se passe maintenant toutes les infos livrées minute par minute par la rédaction de franceinfo photos vidéos tweets et vos interventions

trouver ce que vous recherchez dans google actualités - Aug 16 2023

web accédez à google actualités en haut de la page cliquez sur rechercher saisissez votre recherche par exemple un thème qui vous intéresse un lieu à suivre ou une source d'informations

comment vérifier les sources d'une information le monde fr - Feb 10 2023

web nov 18 2022 1 identifiez l'auteur du message qui s'exprime s'agit-il d'un média connu d'une personnalité publique ou

bien d un site ou d un internaute dont vous n avez jamais entendu parler en cas de conjugaison trouver conjuguer verbe trouver conjugueur - Jun 02 2022

web conjugaison du verbe trouver en français auxiliaires temps composés temps simples présent passé plus que parfait futur impératif participe passé subjonctif conditionnel les verbes irréguliers la traduction du verbe trouver en contexte

6 astuces pour trouver de l information fiable à intégrer à son - Dec 08 2022

web ne vous contentez pas d une seule source au contraire multipliez les afin de croiser les informations obtenues et offrir l information la plus fiable à vos internautes quels sites pour une information fiable pour finir le meilleur moyen de récolter des informations fiables est d aller les chercher sur des sites fiables quels sont

hercules stands gs525b - Apr 04 2022

web description the hercules multi guitar rack gs525b accommodates five guitars with specially formulated foam sff padding covering all contact points expands with ha205 and will accommodate up to 10 guitars features one piece design sets up and tears down easily includes 5 yokes will accommodate up to 10 yokes

hercules stands multiple stands - Apr 16 2023

web the hercules multi guitar stand gs526b plus accommodates six instruments and features the foldable auto grip system ags yokes instant height adjustment clutch specially formulated foam sff padding contacts and the adjustable back rests

hercules stands gs526b support pour 6 guitares bax music - Nov 11 2022

web stand instrument support guitare hercules stands hercules stands gs526b support pour 6 guitares hercules stands gs526b support pour 6 guitares hercules stands disponibilité en stock 176 00 17 146 00 tva 20 incluse ajouter au panier comparer

hercules stands gs526b stand 6 guitares - Dec 12 2022

web acheter hercules stands gs526b stand 6 guitares au meilleur prix livraison express paiement sécurisé 3x sans frais large choix de stands et supports

hercules stands gs526b home series guitar stand - Jun 18 2023

web may 15 2016 hercules stands gs526b home series guitar stand brand hercules 4 8 64 ratings 9 answered questions 14399 eligible for return refund or replacement within 30 days of receipt brand hercules 6 folding auto grip system yokes suitable for

hercules stands catalogue basses amplis effets michenaud - Jun 06 2022

web comparer et acheter parmi un large choix de produits hercules stands au meilleur prix livraison express paiement sécurisé 3x sans frais hercules stands gs526b stand 6 guitares stand hercules pour 6 guitares stand 6 guitares auto grip system hauteur réglable 150 190 cm charge maximal 40kg poids 5kg

hercules stands gs526b plus - May 17 2023

web the hercules multi guitar stand gs526b plus accommodates six instruments and features the foldable auto grip system ags yokes instant height adjustment clutch specially formulated foam padding on all contact points and the adjustable back rests features six folding built in auto grip systems safely lock the instrument s in place

guitares hercules stands 32 produits audiofanzine - May 05 2022

web liste des produits guitare de la marque hercules stands oui audiofanzine utilise des cookies et comme la dernière chose que nous voudrions serait de perturber votre alimentation avec des choses trop grasses ou trop sucrées sachez que ces derniers sont fait maison avec des produits frais bio équitables et dans des justes proportions nutritives

hercules electric guitar stand gs526bplus amazon ca - Jan 13 2023

web jun 16 2019 hercules gs526b plus 6 pc auto grip system ags guitar stand the hercules multi guitar stand gs526b plus accommodates six instruments and features the foldable auto grip system ags yokes instant height adjustment clutch specially formulated foam sff rubber contacts and the adjustable back rests features

produits hercules stands zikinf - Mar 03 2022

web livraison 1 à 2 jours hercules stands gs526b stand 6 guitares stand hercules pour 6 guitares stand 6 guitares auto grip system hauteur réglable 150 190 cm charge maximal 40kg poids 5kg

hercules stands gs526b plus en vente chez - Sep 09 2022

web hercules stands gs526b plus multi stand pour 6 guitares ou instruments avec auto grip system le stand hercules multi guitar gs526b plus peut accueillir six instruments et comprend les jougs pliables auto grip system ags l embrayage à réglage instantané de la hauteur les contacts de rembourrage en mousse spécialement

stands guitare basse hercules stands 32 produits - Aug 08 2022

web liste des produits stand guitare basse de la marque hercules stands se connecter se connecter pseudo e mail mot de passe rester connecté mot de passe oublié connexion créer un compte ou se connecter avec facebook hercules stands gs526b 111

hercules stands home - Feb 02 2022

web sep 1 2023 gear of the gods hercules stands are known worldwide for their high quality and innovative musical instrument stand designs a guitar april 1 2023 on news share

hercules stands support pour 5 guitares basses - Jul 07 2022

web hercules gs525b 5 pc guitar display rack the hercules multi guitar rack gs525b accommodates five guitars with specially formulated foam sff rubber covering all contact points expands with ha205 and will accommodate up to 10 guitars

hercules stand gs526b stand guitare basse star s music - Oct 10 2022

web prévu pour supporter 6 instruments l hercules gs526b est sans doute le stand universel pour guitare à poser au sol le plus intéressant du marché robuste et très bien conçu il est pourvu de mousses non abrasives pour les vernis l instrument ne repose jamais sur des parties métalliques mais sur un caoutchouc spécifiquement mis au point sff

[hercules stands gs526b plus auto grip system display](#) - Aug 20 2023

web the hercules stands gs526b plus series multi guitar stand is built with storage space in mind equipped with six auto swivel auto grip yokes and backrests you ll be able to display six of your favorite axes without worry this stand can accommodate neck sizes from 1 57 2 05 and is safe for nitrocellulose finishes

gs526b hercules stands gs526b audiofanzine - Feb 14 2023

web stand guitare basse hercules stands gs526b 8 photos et 7 prix gs526b hercules stands gs526b audiofanzine live concours devenez miss ou mister harley benton 2022 et gagnez une harley benton te 69 hot rod

hercules stands gs526b plus - Sep 21 2023

web the hercules multi guitar stand gs526b plus accommodates six instruments and features the foldable auto grip system ags yokes instant height adjustment clutch specially formulated foam sff padding contacts and the adjustable back rests features six folding built in auto grip systems safely lock the instrument s in place

[hercules gs526bplus auto grip 6 guitar stand black](#) - Jul 19 2023

web hercules gs526b plus 6 pc auto grip system ags guitar stand the hercules multi guitar stand gs526b plus accommodates six instruments and features the foldable auto grip system ags yokes instant height adjustment clutch specially formulated foam sff rubber contacts and the adjustable back rests features

hercules stands supports pour guitares basses thomann - Mar 15 2023

web hercules stands hcgs 525b 5 way guitar bass stand with casters for convenient transport for acoustic and electric guitars and basses spacing is c