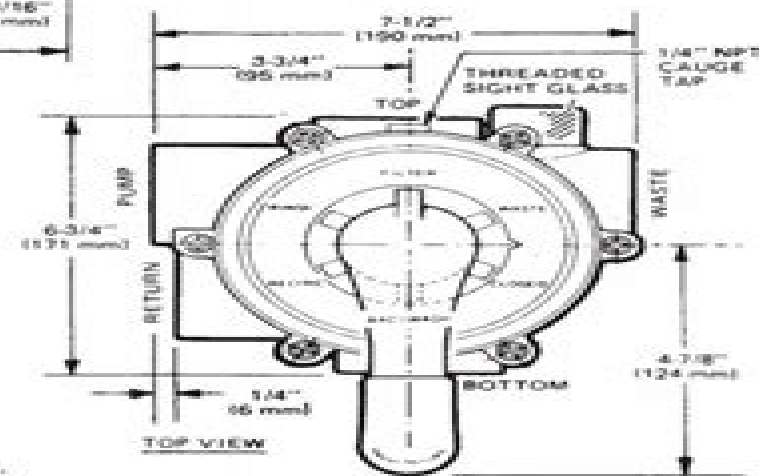
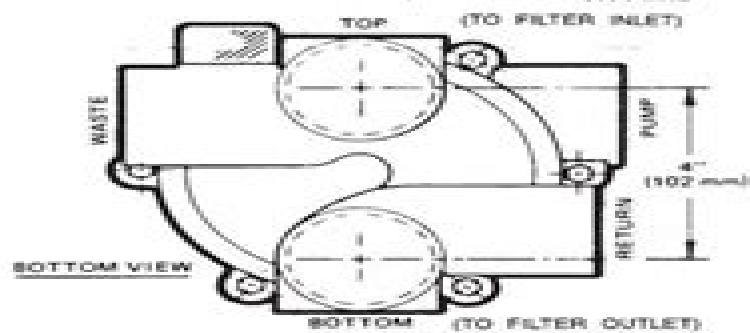
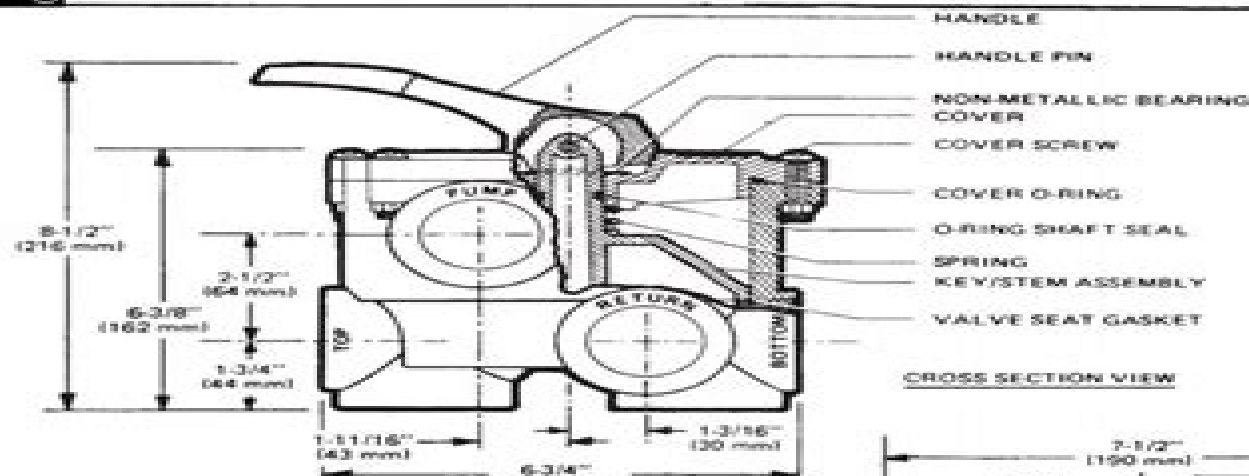




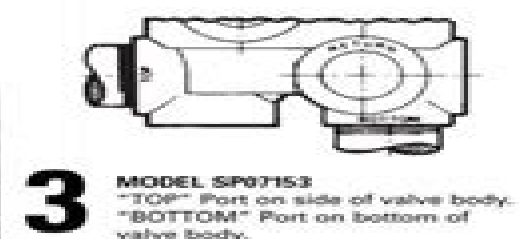
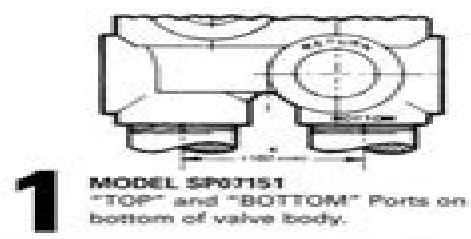
INSTRUCTION SHEET

SP0715 *Vari-Flo*™ Multiport Valve



NOTE: DOTTED LINES INDICATE OPTIONAL "TOP" OR "BOTTOM" PORTS.
 NOTE: "TOP" IS FILTER INLET; "BOTTOM" IS FILTER OUTLET.

PORT PIPING VARIATIONS



Vari Flo Valve Manual

K Morrison



Vari Flo Valve Manual:

NOAA *Diving Manual* United States. Office of Ocean Engineering, 1979 **Pneumatic Handbook** Ronald Horace Warring, 1982 Fermentation Microbiology and Biotechnology E. M. T. El-Mansi, C. F. A. Bryce, Arnold L. Demain, A.R. Allman, 2006-10-25 The pace of progress in fermentation microbiology and biotechnology is fast and furious with new applications being implemented that are resulting in a spectrum of new products from renewable energy to solvents and pharmaceuticals *Fermentation Microbiology and Biotechnology* Second Edition builds on the foundation of the original semina **Plant Operation and Optimization** Gail Nalven, 1996 A how to guide for safe and economic plant operations and maintenance The 47 papers address topics in fluid flow heat transfer measurement process analysis and control mixing reactors and plant optimization "Code of Massachusetts regulations, 2001" ,2001 Archival snapshot of entire looseleaf Code of Massachusetts Regulations held by the Social Law Library of Massachusetts as of January 2020 "Code of Massachusetts regulations, 1999" ,1999 Archival snapshot of entire looseleaf Code of Massachusetts Regulations held by the Social Law Library of Massachusetts as of January 2020 Hydraulics & Pneumatics ,1964 The Jan 1956 issue includes Fluid power engineering index 1931 55 "Code of Massachusetts regulations, 1993" ,1993 Archival snapshot of entire looseleaf Code of Massachusetts Regulations held by the Social Law Library of Massachusetts as of January 2020 "**Code of Massachusetts regulations, 1996**" ,1996 Archival snapshot of entire looseleaf Code of Massachusetts Regulations held by the Social Law Library of Massachusetts as of January 2020 Instrumentation Technology ,1972 "Code of Massachusetts regulations, 1998" ,1998 Archival snapshot of entire looseleaf Code of Massachusetts Regulations held by the Social Law Library of Massachusetts as of January 2020 **Canadian Mining Manual** ,1968 "**Code of Massachusetts regulations, 2002**" ,2002 Archival snapshot of entire looseleaf Code of Massachusetts Regulations held by the Social Law Library of Massachusetts as of January 2020 Hydrocarbon Processing ,1985 September 1 2021 Since 1922 management and technical professionals from petroleum refining gas processing petrochemical chemical and engineer constructor companies throughout the world have turned to Hydrocarbon Processing for high quality technical and operating information Through its monthly magazine website and e newsletters Hydrocarbon Processing covers technological advances processes and optimization developments from throughout the global Hydrocarbon Processing Industry HPI Hydrocarbon Processing editors and writers provide real world case studies and practical information that readers can use to improve their companies operations and their own professional job skills taken from publisher web site "Code of Massachusetts regulations, 2004" ,2004 Archival snapshot of entire looseleaf Code of Massachusetts Regulations held by the Social Law Library of Massachusetts as of January 2020 **Heating, Piping, and Air Conditioning** ,1954 Vols for May 1929 Dec 1958 include the Journal of the American Society of Heating and Air Conditioning Engineers called in 1929 54 American Society of Heating and Ventilating Engineers in Journal section **Diesel Power** ,1957 Technical Association of the Pulp and Paper

Industry ,1981 **"Code of Massachusetts regulations, 1997"** ,1997 Archival snapshot of entire looseleaf Code of Massachusetts Regulations held by the Social Law Library of Massachusetts as of January 2020 Catalog of Copyright Entries, Third Series Library of Congress. Copyright Office,1965 The record of each copyright registration listed in the Catalog includes a description of the work copyrighted and data relating to the copyright claim the name of the copyright claimant as given in the application for registration the copyright date the copyright registration number etc

Reviewing **Vari Flo Valve Manual**: Unlocking the Spellbinding Force of Linguistics

In a fast-paced world fueled by information and interconnectivity, the spellbinding force of linguistics has acquired newfound prominence. Its capacity to evoke emotions, stimulate contemplation, and stimulate metamorphosis is really astonishing. Within the pages of "**Vari Flo Valve Manual**," an enthralling opus penned by a very acclaimed wordsmith, readers embark on an immersive expedition to unravel the intricate significance of language and its indelible imprint on our lives. Throughout this assessment, we shall delve to the book is central motifs, appraise its distinctive narrative style, and gauge its overarching influence on the minds of its readers.

<http://www.frostbox.com/files/detail/Documents/Yaesu%20Fldx400%20Transmitter%20Repair%20Manual.pdf>

Table of Contents Vari Flo Valve Manual

1. Understanding the eBook Vari Flo Valve Manual
 - The Rise of Digital Reading Vari Flo Valve Manual
 - Advantages of eBooks Over Traditional Books
2. Identifying Vari Flo Valve Manual
 - Exploring Different Genres
 - Considering Fiction vs. Non-Fiction
 - Determining Your Reading Goals
3. Choosing the Right eBook Platform
 - Popular eBook Platforms
 - Features to Look for in an Vari Flo Valve Manual
 - User-Friendly Interface
4. Exploring eBook Recommendations from Vari Flo Valve Manual
 - Personalized Recommendations
 - Vari Flo Valve Manual User Reviews and Ratings
 - Vari Flo Valve Manual and Bestseller Lists

5. Accessing Vari Flo Valve Manual Free and Paid eBooks
 - Vari Flo Valve Manual Public Domain eBooks
 - Vari Flo Valve Manual eBook Subscription Services
 - Vari Flo Valve Manual Budget-Friendly Options
6. Navigating Vari Flo Valve Manual eBook Formats
 - ePub, PDF, MOBI, and More
 - Vari Flo Valve Manual Compatibility with Devices
 - Vari Flo Valve Manual Enhanced eBook Features
7. Enhancing Your Reading Experience
 - Adjustable Fonts and Text Sizes of Vari Flo Valve Manual
 - Highlighting and Note-Taking Vari Flo Valve Manual
 - Interactive Elements Vari Flo Valve Manual
8. Staying Engaged with Vari Flo Valve Manual
 - Joining Online Reading Communities
 - Participating in Virtual Book Clubs
 - Following Authors and Publishers Vari Flo Valve Manual
9. Balancing eBooks and Physical Books Vari Flo Valve Manual
 - Benefits of a Digital Library
 - Creating a Diverse Reading Collection Vari Flo Valve Manual
10. Overcoming Reading Challenges
 - Dealing with Digital Eye Strain
 - Minimizing Distractions
 - Managing Screen Time
11. Cultivating a Reading Routine Vari Flo Valve Manual
 - Setting Reading Goals Vari Flo Valve Manual
 - Carving Out Dedicated Reading Time
12. Sourcing Reliable Information of Vari Flo Valve Manual
 - Fact-Checking eBook Content of Vari Flo Valve Manual
 - Distinguishing Credible Sources
13. Promoting Lifelong Learning

- Utilizing eBooks for Skill Development
 - Exploring Educational eBooks
14. Embracing eBook Trends
- Integration of Multimedia Elements
 - Interactive and Gamified eBooks

Vari Flo Valve Manual Introduction

Free PDF Books and Manuals for Download: Unlocking Knowledge at Your Fingertips In today's fast-paced digital age, obtaining valuable knowledge has become easier than ever. Thanks to the internet, a vast array of books and manuals are now available for free download in PDF format. Whether you are a student, professional, or simply an avid reader, this treasure trove of downloadable resources offers a wealth of information, conveniently accessible anytime, anywhere. The advent of online libraries and platforms dedicated to sharing knowledge has revolutionized the way we consume information. No longer confined to physical libraries or bookstores, readers can now access an extensive collection of digital books and manuals with just a few clicks. These resources, available in PDF, Microsoft Word, and PowerPoint formats, cater to a wide range of interests, including literature, technology, science, history, and much more. One notable platform where you can explore and download free Vari Flo Valve Manual PDF books and manuals is the internet's largest free library. Hosted online, this catalog compiles a vast assortment of documents, making it a veritable goldmine of knowledge. With its easy-to-use website interface and customizable PDF generator, this platform offers a user-friendly experience, allowing individuals to effortlessly navigate and access the information they seek. The availability of free PDF books and manuals on this platform demonstrates its commitment to democratizing education and empowering individuals with the tools needed to succeed in their chosen fields. It allows anyone, regardless of their background or financial limitations, to expand their horizons and gain insights from experts in various disciplines. One of the most significant advantages of downloading PDF books and manuals lies in their portability. Unlike physical copies, digital books can be stored and carried on a single device, such as a tablet or smartphone, saving valuable space and weight. This convenience makes it possible for readers to have their entire library at their fingertips, whether they are commuting, traveling, or simply enjoying a lazy afternoon at home. Additionally, digital files are easily searchable, enabling readers to locate specific information within seconds. With a few keystrokes, users can search for keywords, topics, or phrases, making research and finding relevant information a breeze. This efficiency saves time and effort, streamlining the learning process and allowing individuals to focus on extracting the information they need. Furthermore, the availability of free PDF books and manuals fosters a culture of continuous learning. By removing financial barriers, more people can access educational resources and pursue lifelong learning, contributing to personal

growth and professional development. This democratization of knowledge promotes intellectual curiosity and empowers individuals to become lifelong learners, promoting progress and innovation in various fields. It is worth noting that while accessing free Vari Flo Valve Manual PDF books and manuals is convenient and cost-effective, it is vital to respect copyright laws and intellectual property rights. Platforms offering free downloads often operate within legal boundaries, ensuring that the materials they provide are either in the public domain or authorized for distribution. By adhering to copyright laws, users can enjoy the benefits of free access to knowledge while supporting the authors and publishers who make these resources available. In conclusion, the availability of Vari Flo Valve Manual free PDF books and manuals for download has revolutionized the way we access and consume knowledge. With just a few clicks, individuals can explore a vast collection of resources across different disciplines, all free of charge. This accessibility empowers individuals to become lifelong learners, contributing to personal growth, professional development, and the advancement of society as a whole. So why not unlock a world of knowledge today? Start exploring the vast sea of free PDF books and manuals waiting to be discovered right at your fingertips.

FAQs About Vari Flo Valve Manual Books

How do I know which eBook platform is the best for me? Finding the best eBook platform depends on your reading preferences and device compatibility. Research different platforms, read user reviews, and explore their features before making a choice. Are free eBooks of good quality? Yes, many reputable platforms offer high-quality free eBooks, including classics and public domain works. However, make sure to verify the source to ensure the eBook credibility. Can I read eBooks without an eReader? Absolutely! Most eBook platforms offer web-based readers or mobile apps that allow you to read eBooks on your computer, tablet, or smartphone. How do I avoid digital eye strain while reading eBooks? To prevent digital eye strain, take regular breaks, adjust the font size and background color, and ensure proper lighting while reading eBooks. What the advantage of interactive eBooks? Interactive eBooks incorporate multimedia elements, quizzes, and activities, enhancing the reader engagement and providing a more immersive learning experience. Vari Flo Valve Manual is one of the best book in our library for free trial. We provide copy of Vari Flo Valve Manual in digital format, so the resources that you find are reliable. There are also many Ebooks of related with Vari Flo Valve Manual. Where to download Vari Flo Valve Manual online for free? Are you looking for Vari Flo Valve Manual PDF? This is definitely going to save you time and cash in something you should think about.

Find Vari Flo Valve Manual :

yaesu fldx400 transmitter repair manual

xtremepapers past papers islamiat

yamaha blaster 250 two stroke manual

yamaha 115 hp 4 stroke outboard pictures

~~yamaha atv 700 grizzly 2006-2012 factory service repair manual~~

yamaha 150 hp outboard motor

yale alarms manual

yamaha 4ac 6e0 manual

yamaha 4hp 4 stroke outboard repair manual

yamaha 150 hp 4 stroke outboard motor

~~yamaha 150 hpdi manual~~

yamaha big bear 400 service repair manual 2005

~~yamaha aw16g user guide~~

~~yamaha 8hp 4 stroke service manual~~

~~yamaha 200 outboard manual~~

Vari Flo Valve Manual :

Texas Food Handlers Flashcards Study with Quizlet and memorize flashcards containing terms like What is the problem with a chef cracking raw eggs and then touching cooked pancakes? Texas Food Handlers Flashcards Wash your hands and use utensils to keep from touching raw foods. What is a good practice while working in food service? Texas food handler final exam answers Discover videos related to Texas food handler final exam answers on TikTok. Texas Food Handlers Test Answers Jan 28, 2023 — We thoroughly check each answer to a question to provide you with the most correct answers. Found a mistake? Tell us about it through the REPORT ... Food Handling Card Test Part 2 - 25 Questions Answers TX Food Handlers Review 2023 Questions and Answers Food Handlers/Food Safety Bundled Exam (Graded A) latest 2023 · 1. Exam (elaborations) - 360 ansi training food test- questions and answers (... Free Food Handler Practice Test (With Answers) Jan 23, 2023 — Here's a 10-question food handler practice test with answers to help you pass your food handler test the first time. Food handler practice test. Food Handling - Exam Online Test - 2023 Free online exam with questions, answers and explanations on Food Safety. The exam is updated and includes questions about Allergens and Acrylamide. 2023. Texas Food

Handlers Test Questions And Answers 1. Exam (elaborations) - Texas food safety managers test questions and answers [guaranteed success · 2. Exam (elaborations) - Texas food manager ... Food handlers test answers A food handlers test consists of food safety-related questions that help train food handlers to fulfill a food defense plan. It can be used as a preparatory ... Pitch Anything Summary of Key Ideas and Review | Oren Klaff Pitch Anything Summary of Key Ideas and Review | Oren Klaff Oren Klaff's Complete Pitch Anything Summary in 12 minutes May 9, 2019 — Every pitch should tell a story. Eliminate the neediness. The brain is wired to do things to achieve status, not money. The mind continually ... Pitch Anything Summary Aug 7, 2016 — This Pitch Anything summary breaks down the science of selling on your 3 brain levels and shows you how to make yourself the prize & trigger ... Pitch Anything by Oren Klaff: Book Overview Jul 8, 2021 — In his book Pitch Anything, Oren Klaff teaches you how to appeal to your target's croc brain by understanding what makes it tick and working ... Pitch Anything Summary and Review | Oren Klaff Apr 8, 2021 — Oren Klaff outlines that a great pitch is never about the procedure. Instead, it is about getting and keeping the attention of the people you ... Pitch Anything Summary, Review PDF In Review: Pitch Anything Book Summary. The key message in this book is: In any social encounter where you aim to be persuasive, it is vital that you seize ... Pitch Anything: Summary & Framework + PDF Pitch Anything (2011) teaches readers how to raise money and sell their ideas to investors and venture capitalists by mastering power dynamics, ... Pitch Anything: Summary Review & Takeaways The concept of "prizing": The book introduces the concept of offering rewards or incentives to create a sense of value and scarcity, making the pitch more ... Pitch Anything: An Innovative Method for Delivering A Pitch When it comes to delivering a pitch, Oren Klaff has unparalleled credentials. Over the past 13 years, he has used his one-of-a-kind method to raise more ... Chapter 27: Bacteria and Archaea The chapter opens with amazing tales of life at the extreme edge. What are the "masters of adaptation"? Describe the one case you thought most dramatic. Chapter 27: Bacteria and Archaea Genome. Membranes. Location of genome. Plasmids. Ribosomes. Page 3. AP Biology Reading Guide. Chapter 27: Bacteria and Archaea. Fred and Theresa Holtzclaw. Ap Biology Chapter 27 Reading Guide Answers - Fill Online ... Fill Ap Biology Chapter 27 Reading Guide Answers, Edit online. Sign, fax and printable from PC, iPad, tablet or mobile with pdfFiller ☐ Instantly. Try Now! Chapter 27 Reading Guide Flashcards Study with Quizlet and memorize flashcards containing terms like Which two domains include prokaryote?, Are prokaryotes multicellular or unicellular?, ... AP Bio chapter 27 reading Guide Flashcards Study with Quizlet and memorize flashcards containing terms like What are the masters of adaptation ? What is one example?, Which two domains include ... AP Biology Reading Guide Chapter 51: Animal Behavior ... 27. This concept looks at some very interesting ways that genetic changes affect behavior. Several important case studies that show a genetic component to ... Campbell 8th Edition Reading Gui Campbell 8th edition Reading Guides Fred and Theresa Holtzclaw Campbell Biology 8th Edition Chapter ... Chapter 27 Prokaryotes · Chapter 45 Endocrine System. AP Biology Summer Assignment: 2016-2017 Begin your study of biology this year by reading Chapter 1. It will serve

as ... AP Biology Reading Guide. Fred and Theresa Holtzclaw. Chapter 3: Water and the ... Campbell Biology Chapter 27 (powell_h) Flashcards Study Campbell Biology Chapter 27 (powell_h) flashcards taken from chapter 27 of the book Campbell Biology. Biology in Focus - Chapter 27 | PPT Apr 21, 2016 — Biology in Focus - Chapter 27 - Download as a PDF or view online for free.