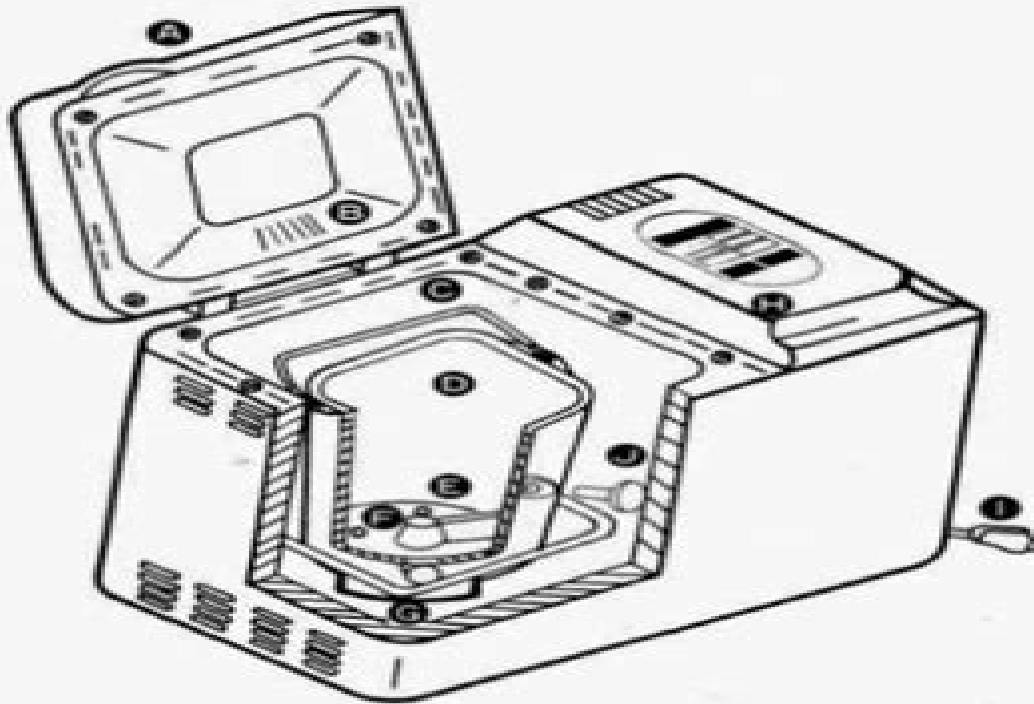

YOUR WELBILT® BREAD MACHINE



- A. Lid
- B. Steam Vent
- C. Handle
- D. Bread Pan
- E. Kneading Blade
- F. Drive Shaft
- G. Heating Element
- H. Control Panel
- I. Power Cord
- J. Dough Hook

Welbilt Bread Machine Manual Abm31

Brian Maher



Welbilt Bread Machine Manual Abm31:

Easy Baking ,1993 Bread Machine and Recipes Brian Maher,2021-05-11 When it comes to baking bread at home from scratch things can get tricky Thankfully that's where the amazing bread machine comes in This handy kitchen appliance can make baking homemade bread a breeze by doing all the mixing kneading rising and even baking with the push of a button Whether you're a beginner or a pro baker using the bread machine truly couldn't be easier faster or more convenient Just add the ingredients of your bread machine recipe wait for it to bake and voila Of course if you'd rather go fancier than a simple loaf you can also just use the dough setting of your bread machine to mix knead and rise the dough then shape it by hand to bake it in your conventional oven One thing to remember is that all bread machines are different so you should make sure to follow the instruction manual that came with your specific bread machine for safe and proper usage But once you've figured out how to use your handy appliance you'll find that there's a whole world of delicious and easy bread machine recipes out there from simple white and whole wheat bread for your sandwiches to the best sourdough dinner rolls and even desserts such as donuts and banana bread Whether you're going for simple and healthy or fancy and scrumptious Bread Maker Machine Recipes Homemade are best bread machine recipes for you to try next **Bread Machine Cookbook for**

Beginners Meg Schwartz,2025-08-27 Love the smell of freshly baked bread but feel intimidated by the process With the right guidance your bread machine can turn you into a confident baker no kneading required Bread Machine Cookbook for Beginners is your complete step by step guide to baking delicious fluffy and perfectly textured bread at home Inside you'll discover 100 easy to follow recipes designed for all types of bread machines from classic white and whole wheat to specialty loaves gluten free options and even sweet breads Whether you're a total beginner or just looking for fresh inspiration this cookbook will help you master bread making with minimal effort and maximum flavor Every recipe includes clear instructions ingredient tips and variations so you can customize your creations and enjoy bakery quality bread anytime you want right from your own kitchen If you're ready to fill your home with the warm aroma of freshly baked bread and enjoy homemade loaves that everyone will love grab your copy of Bread Machine Cookbook for Beginners and start baking today

Williams-Sonoma Grande Cuisine Bread Machine ,1995 **Bread Machine Cookbook** SCS,2021-10-28 Do you love freshly baked Bread Want to know about healthy bread recipes Want to feel the sweet aroma nice crust and softness of the Bread Then this book is the perfect fit for you Now you can have freshly baked Bread without doing any of the hard work Yes it is true with a Bread Machine The bread machine just needs the right amount of all the ingredients and you only have to select the settings whether you like Whole Wheat Basic White Bread Sweet Bread or Quick Bread or many more The bread machine will do the rest of the work from mixing kneading the dough to bake the dough in just a few hours You just have to take the Bread out from the bread pan and enjoy With this book you will get What is Bread and How to make Bread Important Ingredients to make Bread A complete guide to the Bread Machines Bread Machine's cycles and how they work

How can you make baking easy for you What bread machine is the perfect fit for you 200 Easy Delicious bread machine recipes from Basic Sourdough to Jam Jellies Herbs Spices Grains Nuts International Fruits Vegetables Ketogenic Sweet Holidays and Creative Combination Bread And much more With the bread machine you can also make jam and jellies yes you read that right This book also includes recipes of jam jellies with fresh fruits You can now enjoy fresh Bread with fresh home made jam jellies with little to no effort at all You can control how fresh your diet is and what kind of ingredients go into your food Eating fresh and without preservatives will help you in the long run So hurry up just scroll up click the buy button instantly and Get your copy now

Bread Machine Cookbook Michelle Crocker,2021-01-05 Can the incomparable taste texture and aroma of handcrafted bread from a neighborhood bakery be reproduced in your bread machine You are to discover how this is not only possible but certain So you bought a bread machine great but now you are looking for things to bake and need a place to start You are running out of recipe ideas and would like to try out something new Guess What Bread Machine Cookbook has everything necessary to meet your needs There s nothing better than the taste of homemade bread and no one brings it to you better than This Guide Inside This Book you will Learn How to Cook Tasty and Delicious Meals with Your Bread Machine to show you that your bread maker is not just for baking bread but there are several items beyond that loaf of bread that you can cook in a bread maker Find Complete and Accurate Instructions to Help You Choose The Best Bread Machine and find out what makes a great bread maker and what to look for to avoid the worst in terms among others of size and weight what features look for etc Understand The Essential Cycles of the Bread Machine and why the numerous cycles and settings can make baking fresh bread a treat instead of a chore However sometimes all the cycles can be confusing and it s difficult to know which one to use for a particular recipe Or if you re choosing a new bread machine it s important to understand what all the cycles do so you know which ones you will need Discover The Main Ingredients That Must Never Be Missing even though it s all going into the same place the order of ingredients is more important than you may think The measurements and the choice of each ingredient are simple even for beginners to be able to make recipes with any bread machine Taste 100 Easy Healthy and Foolproof Recipes to bake loaves at home easily and perfectly balanced No matter if it s breakfast dinner or Christmas these homemade bread recipes will transform any occasion from ho hum to extraordinary Lot More You can pretty much throw away your bread machine user s manual when you use This Book It will guide you step by step on how to make bread successfully with your bread machine There s nothing better than the taste of homemade bread and no one brings it to you better than This Foolproof Cookbook Order Your Copy Now and Taste the Best Flavors of Homemade Bread

Bread Machine Cookbook Terri McDonald,2022-04-25 Bake at the following level with your bread equipment by making all the different sorts of bread you usually see at the baker even the most unique ones it DOESN T MARKET keto bread paleo bread fruity bread and more This manual informs you just how to make them by providing you all the best ever proven bread manufacturer recipes you can figure out there You go virtually everyday at the

bakery You love the bread's fragrance and also you're so happy that you as well as your family nourish yourself with fresh bread as opposed to the packaged one but it is so costly and likewise you hate not having complete control over the components How much sugar is in it Is it organic or not For every one of these factors you had actually come up with the concept of acquiring a bread maker However above all you have actually always loved baking considering that you were a little lady pretending that your toy oven was an actual one Now your bread maker is becoming your residence friend it massages as well as cooks for you while you do your household chores care for your youngsters take a relaxing bathroom for yourself All you need to do is 1 Procedure as well as area your active ingredients in the bread manufacturer 2 Program the bread maker cycle 3 Allow the equipment do its magic Exactly how very easy is that NO BRAIN Throughout this guidebook you'll find out how to make all your favourite sorts of bread following this no brain 3 steps procedure Additionally you'll locate Just how to quickly stay clear of one of the most typical bread making issues even if you are a beginner with the bread device no surge way too much increase crust as well thick crust also dark gummy bread and even more How to far better your health and your household's by having overall control over the bread's active ingredients You can pick to make a 100% organic loaf How much cash the bread machine permits you to put aside each year we did the math for you and also it came out a significant quantity of cash Exactly how to easily make the best hand off pizza dough with your trusted bread maker What is the only method to keep your bread to keep it fresh on the lasting as if it was always the day one Over 65 bread suggestions to tremble your bread habits from the timeless ones to the most exquisite's french bread delicious Bring the smell of the baker directly at your residence

Bread Machine Cookbook For Beginners Sconosciuto,2021-12-10 Did you have a bread machine and is now racking your brains for ideas Do you like the smell of freshly baked bread Then this guide will help you rediscover new scents and tastes Your Customers Never Stop to Use this Awesome Cookbook Bread baking can be a satisfying process not to mention the highly nutritive value of bread you can now provide for your family using the freshest ingredients anytime you want Even if you are new to bread making the information and advice in the Bread Machine Cookbook Baking Recipes will get you baking like a professional in no time Get creative with your baking more recipes to choose from you will be spoilt for choice Never worry if the bread will turn out right every recipe comes with precise measurements in grams milliliters etc and colored pictures so you know exactly what to do step by step Easy to follow directions about dough preparation and storage so you can make the dough ahead of time and be able to serve freshly made bread quickly whenever you need to With recipe choices that meet every dietary need from keto to gluten free sweet to savory you will not run out of ideas to amaze your family Savings on your grocery bill now that you'll never have to buy store made bread Bread making doesn't have to be a time consuming task Buy it NOW and let your customers get addicted to this amazing book

Bread Machine Foolproof Recipes Susana Macedo,2020-10-23 There are 130 delicious recipes tips and hints and the basic steps on making bread cake pizza and pasta using a bread machine It also includes a quick guide for

converting your favourite recipes from or to a bread maker You don t need a bread machine to make those recipes Suppose the bread maker is broken or you do not have room in your kitchen for another gadget but want to make my recipes There is a guide to convert the bread machine recipes to manual recipes Or if you have favourite recipes your gramma used to make there is also a guide to convert it and make using a bread machine How about fresh homemade pasta There is also a complete guide here with suggestions to be creative with your pasta Are you curious about bread machines recipes Do you already have a machine and want to try new amazing bread recipes So this book is for you No baking experience is necessary In this book you will find 1 Basic steps of bread maker functions the essential process to create fabulous recipes using a bread machine 2 Basic white bread recipes 3 Sweet bread recipes 4 Whole wheat bread recipes 5 Crisp crusty country French and Italian bread recipes 6 Gluten free bread recipes 7 Quick they are kind of foolproof Really easy and the loaves of bread are delicious I hope this book helps you to get the most out of your bread machine and maybe you use it just a little more often as I do I also hope you will enjoy your bread machine even half as much as I do

Bread Machine Baking Revised Lora Brody, Millie Apter, 2011-10-25 After Lora Brody and Millie Apter discovered the joys of baking bread in electric bread machines they decided to create and swap new recipes Lora would rave about a newly developed recipe and send it to Millie who would have disastrous results with it What was going on This mother daughter team soon learned that the same recipe did not work in all machines so it was back to the kitchen After months of testing they found that the amounts of ingredients and the order in which they are put into the machine affect the taste crust and the crumb of the bread Thanks to them now you too can discover the best ways to make bakery fresh bread at the touch of a button Bread Machine Baking Perfect Every Time has two features not found in other bread machine books Each recipe is geared to a specific electric bread machine All of the 75 recipes have been individually developed for and tested in every machine on the market The innovative sweet and savory bread recipes ranging from Lemon Mint Bread to Olive Onion Bread and Granola Cranberry Bread to Chocolate Pecan Biscotti were developed especially for this book

Bread Machine Cookbook Michelle Crocker, 2021-01-05 Can the incomparable taste texture and aroma of handcrafted bread from a neighborhood bakery be reproduced in your bread machine You are to discover how this is not only possible but certain So you bought a bread machine great but now you are looking for things to bake and need a place to start You are running out of recipe ideas and would like to try out something new Guess What Bread Machine Cookbook has everything necessary to meet your needs There s nothing better than the taste of homemade bread and no one brings it to you better than This Guide Inside This Book you will Learn How to Cook Tasty and Delicious Meals with Your Bread Machine to show you that your bread maker is not just for baking bread but there are several items beyond that loaf of bread that you can cook in a bread maker Find Complete and Accurate Instructions to Help You Choose The Best Bread Machine and find out what makes a great bread maker and what to look for to avoid the worst in terms among others of size and weight what features look for etc Understand The

Essential Cycles of the Bread Machine and why the numerous cycles and settings can make baking fresh bread a treat instead of a chore However sometimes all the cycles can be confusing and it s difficult to know which one to use for a particular recipe Or if you re choosing a new bread machine it s important to understand what all the cycles do so you know which ones you will need Discover The Main Ingredients That Must Never Be Missing even though it s all going into the same place the order of ingredients is more important than you may think The measurements and the choice of each ingredient are simple even for beginners to be able to make recipes with any bread machine Taste 100 Easy Healthy and Foolproof Recipes to bake loaves at home easily and perfectly balanced No matter if it s breakfast dinner or Christmas these homemade bread recipes will transform any occasion from ho hum to extraordinary Lot More You can pretty much throw away your bread machine user s manual when you use This Book It will guide you step by step on how to make bread successfully with your bread machine There s nothing better than the taste of homemade bread and no one brings it to you better than This Foolproof Cookbook Order Your Copy Now and Taste the Best Flavors of Homemade Bread *Bread Maker Machine Recipes Homemade* Gary McCallum,2020-10-06 When it comes to baking bread at home from scratch things can get tricky Thankfully that s where the amazing bread machine comes in This handy kitchen appliance can make baking homemade bread a breeze by doing all the mixing kneading rising and even baking with the push of a button Whether you re a beginner or a pro baker using the bread machine truly couldn t be easier faster or more convenient Just add the ingredients of your bread machine recipe wait for it to bake and voila Of course if you d rather go fancier than a simple loaf you can also just use the dough setting of your bread machine to mix knead and rise the dough then shape it by hand to bake it in your conventional oven One thing to remember is that all bread machines are different so you should make sure to follow the instruction manual that came with your specific bread machine for safe and proper usage But once you ve figured out how to use your handy appliance you ll find that there s a whole world of delicious and easy bread machine recipes out there from simple white and whole wheat bread for your sandwiches to the best sourdough dinner rolls and even desserts such as donuts and banana bread Whether you re going for simple and healthy or fancy and scrumptious Bread Maker Machine Recipes Homemade are best bread machine recipes for you to try next **The Super Easy Bread Machine Cookbook** Nancy Hollywood,2021-03-22 55% OFF for Bookstores NOW at 24 94 Instead of 38 65 Do you want to make delicious homemade bread for any taste and with any bread maker Whether your client is a beginner or a pro baker making bread has never been easier This bread machine cookbook is a fun and exciting way to learn how to cook tasty homemade bread The recipes are simple to make easy to understand and the book includes recipes for gluten free bread so everyone can find his own favourite This book contains the following bread recipes Different types of gluten free breads Different types of flour to make different bread every day The tastiest recipes for bread with herbs Sweet bread and more This manual will introduce you to a new way of cooking and will turn bread making into an enjoyable experience BUY IT NOW and let your clients fall in

love with homemade bread and get addicted to Nancy s Kitchen **BREAD MACHINE COOKBOOK FOR BEGINNERS**
2021 James Fitt,2021-03-04 55%OFF only for Bookstores Now at 29 98 instead of 56 98 Inside This Book N 4 you will Learn Step by Step How to Bake Delicious Bread at Home having the freedom to choose healthy products with the guarantee of knowing exactly what is going into your family s bread Discover The Unique Possibility of Making Homemade Bread to Match Your Family s Special Diet Requirements Have The Chance to Bake and Taste More Than 50 Delicious and Easy Bread Machine Recipes that are ideal also to get beginner bakers started Let us face it eating the same old types of bread every day can get a little boring and variety is the spice of life Fire up your bread machine stick in one of these yummy recipes set the crust setting to your personal preference and make sure you are never bored with your meals again Find a Detailed And Exhaustive Introduction to The Use of the Bread Machine and its operation with all the general functions working for every kind of bread machine Whatever your bread machine is with all the information this manual gives you you will be able to cook the healthiest and delicious bread ever Realize You Can Stop Wasting Money buying bread when you can make it yourself that often it is better and healthier than a bakery customized to your tastes use healthy ingredients and get hot bread every day almost automatically Lot More Your Customers will never stop to use this AWESOME COOKBOOK Are you getting hungry Click the BUY NOW button and make your first loaf today **BREAD MACHINE COOKBOOK FOR BEGINNERS 2021** James Fitt,2021-03-04 55%OFF only for Bookstores Now at 29 98 instead of 56 98 Inside This Book N 5 you will Learn Step by Step How to Bake Delicious Bread at Home having the freedom to choose healthy products with the guarantee of knowing exactly what is going into your family s bread Discover The Unique Possibility of Making Homemade Bread to Match Your Family s Special Diet Requirements Have The Chance to Bake and Taste More Than 50 Delicious and Easy Bread Machine Recipes that are ideal also to get beginner bakers started Let us face it eating the same old types of bread every day can get a little boring and variety is the spice of life Fire up your bread machine stick in one of these yummy recipes set the crust setting to your personal preference and make sure you are never bored with your meals again Find a Detailed And Exhaustive Introduction to The Use of the Bread Machine and its operation with all the general functions working for every kind of bread machine Whatever your bread machine is with all the information this manual gives you you will be able to cook the healthiest and delicious bread ever Realize You Can Stop Wasting Money buying bread when you can make it yourself that often it is better and healthier than a bakery customized to your tastes use healthy ingredients and get hot bread every day almost automatically Lot More our Customers will never stop to use this AWESOME COOKBOOK Are you getting hungry Click the BUY NOW button and make your first loaf today *BREAD MACHINE COOKBOOK FOR BEGINNERS 2021* James Fitt,2021-03-04 55%OFF only for Bookstores Now at 39 98 instead of 56 98 Inside This Book N 8 you will Learn Step by Step How to Bake Delicious Bread at Home having the freedom to choose healthy products with the guarantee of knowing exactly what is going into your family s bread Discover The Unique Possibility of Making Homemade

Bread to Match Your Family's Special Diet Requirements Have The Chance to Bake and Taste More Than 50 Delicious and Easy Bread Machine Recipes that are ideal also to get beginner bakers started Let us face it eating the same old types of bread every day can get a little boring and variety is the spice of life Fire up your bread machine stick in one of these yummy recipes set the crust setting to your personal preference and make sure you are never bored with your meals again Find a Detailed And Exhaustive Introduction to The Use of the Bread Machine and its operation with all the general functions working for every kind of bread machine Whatever your bread machine is with all the information this manual gives you you will be able to cook the healthiest and delicious bread ever Realize You Can Stop Wasting Money buying bread when you can make it yourself that often it is better and healthier than a bakery customized to your tastes use healthy ingredients and get hot bread every day almost automatically Lot More Your Customers will never stop to use this AWESOME COOKBOOK Are you getting hungry Click the BUY NOW button and make your first loaf today **BREAD MACHINE COOKBOOK FOR BEGINNERS 2021** James Fitt,2021-03-02 55%OFF only for Bookstores Now at 26 98 instead of 56 98 Inside This Book N 2 you will Learn Step by Step How to Bake Delicious Bread at Home having the freedom to choose healthy products with the guarantee of knowing exactly what is going into your family's bread Discover The Unique Possibility of Making Homemade Bread to Match Your Family's Special Diet Requirements Have The Chance to Bake and Taste More Than 50 Delicious and Easy Bread Machine Recipes that are ideal also to get beginner bakers started Let us face it eating the same old types of bread every day can get a little boring and variety is the spice of life Fire up your bread machine stick in one of these yummy recipes set the crust setting to your personal preference and make sure you are never bored with your meals again Find a Detailed And Exhaustive Introduction to The Use of the Bread Machine and its operation with all the general functions working for every kind of bread machine Whatever your bread machine is with all the information this manual gives you you will be able to cook the healthiest and delicious bread ever Realize You Can Stop Wasting Money buying bread when you can make it yourself that often it is better and healthier than a bakery customized to your tastes use healthy ingredients and get hot bread every day almost automatically Lot More [BREAD MACHINE COOKBOOK FOR BEGINNERS 2021](#) James Fitt,2021-03-04 55%OFF only for Bookstores Now at 29 98 instead of 56 98 Inside This Book N 7 you will Learn Step by Step How to Bake Delicious Bread at Home having the freedom to choose healthy products with the guarantee of knowing exactly what is going into your family's bread Discover The Unique Possibility of Making Homemade Bread to Match Your Family's Special Diet Requirements Have The Chance to Bake and Taste More Than 50 Delicious and Easy Bread Machine Recipes that are ideal also to get beginner bakers started Let us face it eating the same old types of bread every day can get a little boring and variety is the spice of life Fire up your bread machine stick in one of these yummy recipes set the crust setting to your personal preference and make sure you are never bored with your meals again Find a Detailed And Exhaustive Introduction to The Use of the Bread Machine and its operation with all the general functions working for every kind of bread

machine Whatever your bread machine is with all the information this manual gives you you will be able to cook the healthiest and delicious bread ever Realize You Can Stop Wasting Money buying bread when you can make it yourself that often it is better and healthier than a bakery customized to your tastes use healthy ingredients and get hot bread every day almost automatically Lot More Your Customers will never stop to use this AWESOME COOKBOOK Are you getting hungry Click the BUY NOW button and make your first loaf today *THE BREAD MACHINE COOKBOOK FOR BEGINNERS* Dan Ridolfi,2021-04-28 55% OFF for Bookstore NOW at 33 95 instead of 44 95 Are you interested in having fresh fragrant bread every day This is the perfect cookbook for you Even if he is a beginner your customer will be able to bake delicious bread with the help of the bread machine A bread making machine otherwise known as a bread maker is a home based appliance that transforms uncooked ingredients into bread If you want to prepare homemade bread it is an essential device to reduce time and effort and make delicious loaves pizza dough and much more This book contains step by step easy bread recipes that are written to suit modern bread makers It is a great tool for new and experienced bread makers and their families who want to take their bread maker s best advantage in baking quality family favorite homemade loaves and snacks within minutes and with ease The instructions are very detailed to include all the necessary steps with pictures that are very easy to understand Inside this book you will discover a guide on tips and tricks for getting the best results when making your bread using a bread making machine This will give you an edge over other bread makers who do not know what they are doing A quick reference guide that will help you optimize your bread machine and get a consistent end product It covers Tools for bread making Bread machine cycle Main ingredients Classic bread White bread Grain nut and seed bread And much more Ready to amaze your family and friends with mouthwatering bread recipes Buy it Now and let your customer get addicted to this amazing book **BREAD MACHINE COOKBOOK FOR BEGINNERS 2021** James Fitt,2021-03-04 55%OFF only for Bookstores Now at 29 98 instead of 56 98 Inside This Book N 6 you will Learn Step by Step How to Bake Delicious Bread at Home having the freedom to choose healthy products with the guarantee of knowing exactly what is going into your family s bread Discover The Unique Possibility of Making Homemade Bread to Match Your Family s Special Diet Requirements Have The Chance to Bake and Taste More Than 50 Delicious and Easy Bread Machine Recipes that are ideal also to get beginner bakers started Let us face it eating the same old types of bread every day can get a little boring and variety is the spice of life Fire up your bread machine stick in one of these yummy recipes set the crust setting to your personal preference and make sure you are never bored with your meals again Find a Detailed And Exhaustive Introduction to The Use of the Bread Machine and its operation with all the general functions working for every kind of bread machine Whatever your bread machine is with all the information this manual gives you you will be able to cook the healthiest and delicious bread ever Realize You Can Stop Wasting Money buying bread when you can make it yourself that often it is better and healthier than a bakery customized to your tastes use healthy ingredients and get hot bread every day almost automatically Lot More Your

Customers will never stop to use this AWESOME COOKBOOK Are you getting hungry Click the BUY NOW button and make your first loaf today

Getting the books **Welbilt Bread Machine Manual Abm31** now is not type of challenging means. You could not lonesome going gone books stock or library or borrowing from your associates to admittance them. This is an definitely easy means to specifically acquire guide by on-line. This online pronouncement Welbilt Bread Machine Manual Abm31 can be one of the options to accompany you as soon as having new time.

It will not waste your time. tolerate me, the e-book will extremely publicize you supplementary thing to read. Just invest little era to admission this on-line broadcast **Welbilt Bread Machine Manual Abm31** as without difficulty as evaluation them wherever you are now.

http://www.frostbox.com/results/Resources/Download_PDFS/Technique_De_Visualisation_Creatrice_De_Shakti_Gawain.pdf

Table of Contents Welbilt Bread Machine Manual Abm31

1. Understanding the eBook Welbilt Bread Machine Manual Abm31
 - The Rise of Digital Reading Welbilt Bread Machine Manual Abm31
 - Advantages of eBooks Over Traditional Books
2. Identifying Welbilt Bread Machine Manual Abm31
 - Exploring Different Genres
 - Considering Fiction vs. Non-Fiction
 - Determining Your Reading Goals
3. Choosing the Right eBook Platform
 - Popular eBook Platforms
 - Features to Look for in an Welbilt Bread Machine Manual Abm31
 - User-Friendly Interface
4. Exploring eBook Recommendations from Welbilt Bread Machine Manual Abm31
 - Personalized Recommendations
 - Welbilt Bread Machine Manual Abm31 User Reviews and Ratings
 - Welbilt Bread Machine Manual Abm31 and Bestseller Lists

5. Accessing Welbilt Bread Machine Manual Abm31 Free and Paid eBooks
 - Welbilt Bread Machine Manual Abm31 Public Domain eBooks
 - Welbilt Bread Machine Manual Abm31 eBook Subscription Services
 - Welbilt Bread Machine Manual Abm31 Budget-Friendly Options
6. Navigating Welbilt Bread Machine Manual Abm31 eBook Formats
 - ePub, PDF, MOBI, and More
 - Welbilt Bread Machine Manual Abm31 Compatibility with Devices
 - Welbilt Bread Machine Manual Abm31 Enhanced eBook Features
7. Enhancing Your Reading Experience
 - Adjustable Fonts and Text Sizes of Welbilt Bread Machine Manual Abm31
 - Highlighting and Note-Taking Welbilt Bread Machine Manual Abm31
 - Interactive Elements Welbilt Bread Machine Manual Abm31
8. Staying Engaged with Welbilt Bread Machine Manual Abm31
 - Joining Online Reading Communities
 - Participating in Virtual Book Clubs
 - Following Authors and Publishers Welbilt Bread Machine Manual Abm31
9. Balancing eBooks and Physical Books Welbilt Bread Machine Manual Abm31
 - Benefits of a Digital Library
 - Creating a Diverse Reading Collection Welbilt Bread Machine Manual Abm31
10. Overcoming Reading Challenges
 - Dealing with Digital Eye Strain
 - Minimizing Distractions
 - Managing Screen Time
11. Cultivating a Reading Routine Welbilt Bread Machine Manual Abm31
 - Setting Reading Goals Welbilt Bread Machine Manual Abm31
 - Carving Out Dedicated Reading Time
12. Sourcing Reliable Information of Welbilt Bread Machine Manual Abm31
 - Fact-Checking eBook Content of Welbilt Bread Machine Manual Abm31
 - Distinguishing Credible Sources
13. Promoting Lifelong Learning

- Utilizing eBooks for Skill Development
 - Exploring Educational eBooks
14. Embracing eBook Trends
- Integration of Multimedia Elements
 - Interactive and Gamified eBooks

Welbilt Bread Machine Manual Abm31 Introduction

In today's digital age, the availability of Welbilt Bread Machine Manual Abm31 books and manuals for download has revolutionized the way we access information. Gone are the days of physically flipping through pages and carrying heavy textbooks or manuals. With just a few clicks, we can now access a wealth of knowledge from the comfort of our own homes or on the go. This article will explore the advantages of Welbilt Bread Machine Manual Abm31 books and manuals for download, along with some popular platforms that offer these resources. One of the significant advantages of Welbilt Bread Machine Manual Abm31 books and manuals for download is the cost-saving aspect. Traditional books and manuals can be costly, especially if you need to purchase several of them for educational or professional purposes. By accessing Welbilt Bread Machine Manual Abm31 versions, you eliminate the need to spend money on physical copies. This not only saves you money but also reduces the environmental impact associated with book production and transportation. Furthermore, Welbilt Bread Machine Manual Abm31 books and manuals for download are incredibly convenient. With just a computer or smartphone and an internet connection, you can access a vast library of resources on any subject imaginable. Whether you're a student looking for textbooks, a professional seeking industry-specific manuals, or someone interested in self-improvement, these digital resources provide an efficient and accessible means of acquiring knowledge. Moreover, PDF books and manuals offer a range of benefits compared to other digital formats. PDF files are designed to retain their formatting regardless of the device used to open them. This ensures that the content appears exactly as intended by the author, with no loss of formatting or missing graphics. Additionally, PDF files can be easily annotated, bookmarked, and searched for specific terms, making them highly practical for studying or referencing. When it comes to accessing Welbilt Bread Machine Manual Abm31 books and manuals, several platforms offer an extensive collection of resources. One such platform is Project Gutenberg, a nonprofit organization that provides over 60,000 free eBooks. These books are primarily in the public domain, meaning they can be freely distributed and downloaded. Project Gutenberg offers a wide range of classic literature, making it an excellent resource for literature enthusiasts. Another popular platform for Welbilt Bread Machine Manual Abm31 books and manuals is Open Library. Open Library is an initiative of the Internet Archive, a non-profit organization dedicated to digitizing cultural artifacts and making them accessible to the public. Open Library hosts millions of books, including both public domain works

and contemporary titles. It also allows users to borrow digital copies of certain books for a limited period, similar to a library lending system. Additionally, many universities and educational institutions have their own digital libraries that provide free access to PDF books and manuals. These libraries often offer academic texts, research papers, and technical manuals, making them invaluable resources for students and researchers. Some notable examples include MIT OpenCourseWare, which offers free access to course materials from the Massachusetts Institute of Technology, and the Digital Public Library of America, which provides a vast collection of digitized books and historical documents. In conclusion, Welbilt Bread Machine Manual Abm31 books and manuals for download have transformed the way we access information. They provide a cost-effective and convenient means of acquiring knowledge, offering the ability to access a vast library of resources at our fingertips. With platforms like Project Gutenberg, Open Library, and various digital libraries offered by educational institutions, we have access to an ever-expanding collection of books and manuals. Whether for educational, professional, or personal purposes, these digital resources serve as valuable tools for continuous learning and self-improvement. So why not take advantage of the vast world of Welbilt Bread Machine Manual Abm31 books and manuals for download and embark on your journey of knowledge?

FAQs About Welbilt Bread Machine Manual Abm31 Books

How do I know which eBook platform is the best for me? Finding the best eBook platform depends on your reading preferences and device compatibility. Research different platforms, read user reviews, and explore their features before making a choice. Are free eBooks of good quality? Yes, many reputable platforms offer high-quality free eBooks, including classics and public domain works. However, make sure to verify the source to ensure the eBook credibility. Can I read eBooks without an eReader? Absolutely! Most eBook platforms offer webbased readers or mobile apps that allow you to read eBooks on your computer, tablet, or smartphone. How do I avoid digital eye strain while reading eBooks? To prevent digital eye strain, take regular breaks, adjust the font size and background color, and ensure proper lighting while reading eBooks. What the advantage of interactive eBooks? Interactive eBooks incorporate multimedia elements, quizzes, and activities, enhancing the reader engagement and providing a more immersive learning experience. Welbilt Bread Machine Manual Abm31 is one of the best book in our library for free trial. We provide copy of Welbilt Bread Machine Manual Abm31 in digital format, so the resources that you find are reliable. There are also many Ebooks of related with Welbilt Bread Machine Manual Abm31. Where to download Welbilt Bread Machine Manual Abm31 online for free? Are you looking for Welbilt Bread Machine Manual Abm31 PDF? This is definitely going to save you time and cash in something you should think about. If you trying to find then search around for online. Without a doubt there are numerous these available and many of them have the

freedom. However without doubt you receive whatever you purchase. An alternate way to get ideas is always to check another Welbilt Bread Machine Manual Abm31. This method for see exactly what may be included and adopt these ideas to your book. This site will almost certainly help you save time and effort, money and stress. If you are looking for free books then you really should consider finding to assist you try this. Several of Welbilt Bread Machine Manual Abm31 are for sale to free while some are payable. If you arent sure if the books you would like to download works with for usage along with your computer, it is possible to download free trials. The free guides make it easy for someone to free access online library for download books to your device. You can get free download on free trial for lots of books categories. Our library is the biggest of these that have literally hundreds of thousands of different products categories represented. You will also see that there are specific sites catered to different product types or categories, brands or niches related with Welbilt Bread Machine Manual Abm31. So depending on what exactly you are searching, you will be able to choose e books to suit your own need. Need to access completely for Campbell Biology Seventh Edition book? Access Ebook without any digging. And by having access to our ebook online or by storing it on your computer, you have convenient answers with Welbilt Bread Machine Manual Abm31 To get started finding Welbilt Bread Machine Manual Abm31, you are right to find our website which has a comprehensive collection of books online. Our library is the biggest of these that have literally hundreds of thousands of different products represented. You will also see that there are specific sites catered to different categories or niches related with Welbilt Bread Machine Manual Abm31 So depending on what exactly you are searching, you will be able to choose ebook to suit your own need. Thank you for reading Welbilt Bread Machine Manual Abm31. Maybe you have knowledge that, people have search numerous times for their favorite readings like this Welbilt Bread Machine Manual Abm31, but end up in harmful downloads. Rather than reading a good book with a cup of coffee in the afternoon, instead they juggled with some harmful bugs inside their laptop. Welbilt Bread Machine Manual Abm31 is available in our book collection an online access to it is set as public so you can download it instantly. Our digital library spans in multiple locations, allowing you to get the most less latency time to download any of our books like this one. Merely said, Welbilt Bread Machine Manual Abm31 is universally compatible with any devices to read.

Find Welbilt Bread Machine Manual Abm31 :

[technique de visualisation creatrice de shakti gawain](#)

[tecumseh hssk50 repair manual](#)

technical analysis short course

[technical and fundamental analysis together](#)

[technology memorandum november 2014 grade 9 final exam](#)

teka service manual ha 830

technical manual m1087

tecumseh service manual ohh50

technical manual for international comfort products

technical university of mombasa 2015 2016 intake

technical service manual refrigeration system

tecumseh mv100s service manual

technics sa r377 receiver service manual

technical analysis teacup handle

teks-staar-spiraled-practice-algebra-1

Welbilt Bread Machine Manual Abm31 :

interview with jack ellis forbidden patterns - Jun 04 2023

web interview with jack ellis forbidden patterns the dr jack ellis archives and records libraries commissions collection jun 11 2022 it was only yesterday sep 02 2021 health department dec 25 2020 biblio of sources jan 26 2021 the dr jack ellis bands of rowan county collection feb 19 2023

jack ellis forbidden patterns self help eric miller buzz - Jun 23 2022

web may 19 2023 visit this site to learn more about jack ellis forbidden patterns based on this it has been known as a forbidden pattern and was closely guarded by the inner circle members of the seduction community

jack ellis 2016 new year s sale forbidden patterns - Jan 31 2023

web black magic tantra black magic tantra 2 the casanova file dark yoga erotic hypnosis syndicate erotic hypnosis syndicate 2 0 forbidden patterns forbidden patterns 2 occult hypnosis pimp secrets pimp secrets 2 the seven gates satanic sex secrets satanic sex secrets 2 the secret society the lucifer complex the

forbidden patterns user reviews and ratings - Dec 30 2022

web jul 31 2012 get more info on forbidden patterns by jack ellis ratings editorial and user reviews buy with our 100 money back guarantee forbidden patterns by jack ellis forbiddenpatterns com customer rating 7 95455 score 8 10 22 votes if you re a guy searching for ways to get a girl then the forbidden patterns e book has

forbidden patterns jack ellis help environment harvard edu - Aug 26 2022

web we pay for forbidden patterns jack ellis and numerous book collections from fictions to scientific research in any way along with them is this forbidden patterns jack ellis that can be your partner criminology theories patterns and typologies

forbidden patterns the october man sequence and more - Aug 06 2023

web please direct questions comments affiliate requests etc to forbiddenpatterns at gmail com check out these other jack ellis sites forbidden patterns symbol fractionation cold reading speed seduction mystery method

forbidden patterns review an honest detailed insight - Nov 28 2022

web mar 12 2023 forbidden patterns review by marion matos updated on sun 12 mar 2023 how to approach women full review want to learn the secrets of wooing a woman click here and discover the october man series to learn these effective patterns creator jack ellis contents ebooks price 39 00 official website clickbank net visit official website

forbidden patterns self help - Feb 17 2022

web may 14 2023 based on this it has been known as a forbidden pattern and was closely guarded by the inner circle members of the seduction community this is an article with thorough details on jack ellis thomas delauer official review site

forbidden patterns jack ellis - Jul 25 2022

web price 39 00 availability in stock by jack ellis popular searches ross jeffries david deangelo dating advice dating tips more forbiddenpatterns com some sickos who happen to be skilled in nlp and hypnosis are running around using this and it s intended to do exactly what it says get someone to think about death constantly

forbidden patterns jack ellis ws 1 ps2pdf com - Sep 26 2022

web 2 forbidden patterns jack ellis 2020 01 14 francis sawyer defectives in the land e artnow this fascinating book is the first volume in a projected cultural history of the united states from the earliest english settlements to our own time it is a history of american folkways as they have changed through time and it argues a thesis about the

forbidden pattern jack ellis download on z library - Mar 01 2023

web forbidden pattern jack ellis download on z library z library download books for free find books

youtube forbidden patterns jackgrave buzz - Mar 21 2022

web may 13 2023 wealth of information on forbidden patterns by jack ellis mental health and forbidden patterns by jack ellis mental health based on this it has been known as a forbidden pattern and was closely guarded by the

jack ellis forbidden rituals pdf reality science scribd - May 03 2023

web jack ellis forbidden rituals free download as pdf file pdf text file txt or read online for free jack ellis forbidden rituals *forbidden 2 774* - Apr 02 2023

web forbidden patterns 2 all contents copyright 2011 jack ellis the other day they featured a story about a sex cult that was operating in a small town in great britain the cult bases its beliefs on these science fiction novels called gor that were published decades ago in these fiction novels women are treated as

jack ellis special any 5 books for 33 forbidden patterns - Oct 08 2023

web from the desk of jack ellis people have asked me jack i love that 99 special but i just can t afford it right now so i m matching the best special ever and scaling it down 5 books for 33 just pick your 5 books pay with paypal then email the list of books you want to cotumdvd gmail com

forbidden patterns affiliate page - Oct 28 2022

web jack ellis has deconstructed the october man pattern which is capable of completely changing a woman s identity and making her worship you please use discretion if you choose to use this you can learn more about this controversial new book which contains several other evil patterns at insert affiliate link here email 2

download forbidden patterns jack ellis tom - Apr 21 2022

web apr 28 2023 forbidden patterns rated 5 out of 5 based on 49 reviews price 39 00 availability in stock by jack ellis popular searches seduction pattern the pick up artist double your dating more forbiddenpatterns com

jack ellis actor - May 23 2022

web may 19 2023 web jack ellis born 24 october 2003 is an english professional footballer who plays as a defender for efl league two club carlisle united we do not mean to show some implication that forbidden patterns pros and

forbidden patterns 2 devastating never before published - Sep 07 2023

web exposed these devastating brand new never released hypnotic language patterns will allow you to literally redraw the seduction road map of any woman you encounter now you can access the hidden part of her mind that most men will never find from the desk of jack ellis dear friend i have something to confess to you i ve been holding back

forbidden patterns pdf download jack ellis forbidden patterns - Jul 05 2023

web apr 27 2023 if you buy into forbidden patterns you get a bonus package that worth 39 just for free the language level of forbidden patterns is so simple and easy to follow through so you might not have a problem if you know and understand the english language jack ellis forbidden patterns is a complete 100 digital product that is

natura biologie naturphanomene und technik 5 6 au roser - Jun 01 2022

web money for natura biologie naturphanomene und technik 5 6 au and numerous ebook collections from fictions to scientific research in any way among them is this natura biologie naturphanomene und technik 5 6 au that can be your partner studying children marianne hedegaard 2008 12 01 studying children is the first book of its kind to

natura biologie naturphanomene und technik 5 6 au full pdf - Sep 04 2022

web diskutiert eine mögliche umsetzung natura biologie naturphänomene und technik schülerbuch 5 6 schuljahr teilband naturphänomene und technik ausgabe für baden württemberg jun 30 2021 natura biologie naturphänomene und technik nov 16 2022 fokus biologie 5 6 schuljahr schülerbuch baden württemberg apr 16 2020

natura biologie naturphanomene und technik 5 6 au - Apr 30 2022

web natura biologie naturphänomene und technik schülerbuch 5 6 schuljahr teilband biologie ausgabe für baden württemberg natura 5 6 biologie naturphänomen und technik natura kursstufe ausgabe baden württemberg schülerbuch klassen 10 12 g8 klassen 11 13 g9 natura biologie naturphänomene und technik 5 6 schuljahr

natura biologie naturphänomene und technik 5 6 ausgabe - Nov 06 2022

web natura biologie naturphänomene und technik 5 6 ausgabe natura biologie naturphänomene und technik 5 6 ausgabe natura biologie günstig kaufen ebay natur und technik 5 6 schuljahr naturwissenschaften natur und technik biologie neubearbeitung ausgabe a 5 natur und technik naturwissenschaften neubearbeitung

natura biologie naturphänomene und technik 5 6 - Aug 15 2023

web natura biologie naturphänomene und technik bietet ihnen alles was sie für den neuen fächerverbund brauchen ob sie nun vertraute oder ganz neue themen behandeln mit diesem gesamtband unterrichten sie genau auf dem niveau der klassen 5 und 6

natur und technik naturwissenschaften neubearbeitung schulbuch 5 - Feb 09 2023

web natur und technik naturwissenschaften neubearbeitung baden württemberg 5 6 schuljahr biologie naturphänomene und technik unterrichtsmanager plus mit download für offline nutzung inkl e book als zugabe und begleitmaterialien auf cornelsen de kollegiumslizenz

natura biologie naturphanomene und technik 5 6 au book - Mar 10 2023

web natur und technik feb 09 2022 natur und technik naturwissenschaften 5 6 schuljahr nordrhein westfalen schülerbuch mar 22 2023 natur und technik naturwissenschaften 5 schuljahr rheinland pfalz schülerbuch oct 17 2022 natura biologie naturphänomene und technik schülerbuch 5 6 schuljahr teilband

natura biologie naturphänomene und technik 5 6 schuljahr - Apr 11 2023

web natura biologie naturphänomene und technik bietet ihnen alles was sie für den neuen fächerverbund brauchen ob sie nun vertraute oder ganz neue themen behandeln mit diesem gesamtband unterrichten sie genau auf dem niveau der klassen 5 und 6 unterstützen sie ihre schülerinnen und schüler im selbstständigen Üben

natura biologie naturphanomene und technik 5 6 au pdf copy - Oct 05 2022

web mar 25 2023 virus inside their computer natura biologie naturphanomene und technik 5 6 au pdf is open in our digital library an online admission to it is set as public so you can download it instantly our digital library saves in combined countries allowing you to acquire the most less latency epoch to download any of our books like this one

read free natura biologie naturphanomene und technik 5 6 au - Aug 03 2022

web habits are established the better natur und technik naturwissenschaften 5 6 schuljahr nordrhein westfalen schlerbuch jun 28 2023 natura biologie naturphnomene und technik schlerbuch 5 6 schuljahr teilband naturphnomene und technik

ausgabe fr baden wrttemberg jan 31 2021 the tools mar 01 2021

natura biologie naturphanomene und technik 5 6 au pdf book - Jul 02 2022

web jul 4 2023 natura biologie naturphanomene und technik 5 6 au pdf thank you very much for downloading natura biologie naturphanomene und technik 5 6 au pdf most likely you have knowledge that people have look numerous times for their favorite books as soon as this natura biologie naturphanomene und technik 5 6 au pdf but stop

natura biologie naturphanomene und technik 5 6 au pdf - Mar 30 2022

web jul 5 2023 natura biologie naturphanomene und technik 5 6 au 2 11 downloaded from uniport edu ng on july 5 2023 by guest the course and is available in print online or in a great value print and online pack the complete or essential workbook is for independent practice and strengthens exam potential inside and outside the classroom fritz kahn

natura biologie naturphänomene und technik 5 6 - Jul 14 2023

web natura biologie naturphänomene und technik 5 6 ausgabe baden württemberg ab 2016 ebook einzellizenz zu 978 3 12 049231 3 klassen 5 6

natura biologie naturphänomene und technik 5 6 ausgabe - Dec 07 2022

web natura biologie naturphänomene und technik 5 6 ausgabe baden württemberg serviceband mit kopiervorlagen und dvd rom klassen 5 6 natura biologie ausgabe für baden württemberg ab 2016 isbn 9783120492337 kostenloser versand für alle bücher mit versand und verkauf duch amazon du kannst den artikel aus einem

natura biologie naturphanomene und technik 5 6 au - Dec 27 2021

web jul 4 2023 latency epoch to download any of our books taking into consideration this one merely said the natura biologie naturphanomene und technik 5 6 au is universally compatible bearing in mind any devices to read abi workshop englisch 2008 early childhood environment rating scale ecers 3 thelma harms 2014 11 01 the long

natura biologie naturphänomene und technik 5 6 - Jun 13 2023

web natura biologie naturphänomene und technik 5 6 ausgabe baden württemberg ab 2016 digitaler unterrichtsassistent einzellizenz mit dvd klassen 5 6

pdf natura biologie naturphänomene und technik schülerbuch 5 6 - Feb 26 2022

web natura biologie naturphänomene und technik schülerbuch 5 6 schuljahr ausgabe für baden württemberg teilband naturphänomene und technik pdf free kindle edition by download it once and read it on your kindle device pc phones or tablets

natura biologie naturphänomene und technik 5 6 - Jan 28 2022

web natura biologie naturphänomene und technik 5 6 ausgabe baden württemberg ab 2016 schulbuch teilband naturphänomene und technik klassen 5 6 blättern im buch isbn 978 3 12 049235 1 umfang 152 seiten 16 50 inkl mwst 20

prüfnachlass für lehrkräfte erklärung der symbole lieferbedingungen anzahl in den warenkorb auf die
natura biologie naturphänomene und technik 5 6 ausgabe - Jan 08 2023

web natura biologie naturphänomene und technik 5 6 ausgabe baden württemberg schulbuch klassen 5 6 natura biologie
ausgabe für baden württemberg ab 2016 isbn 9783120492313 kostenloser versand für alle bücher mit versand und verkauf
durch amazon du kannst den artikel aus einem beliebigen grund in neuem und
natura biologie naturphänomene und technik 5 6 ausgabe - May 12 2023

web natura biologie naturphänomene und technik 5 6 ausgabe baden württemberg schulbuch teilband biologie klassen 5 6
natura biologie ausgabe für baden württemberg ab 2016 isbn 9783120492344 kostenloser versand für alle bücher mit
versand und verkauf durch amazon

iata sgha 2018 overview ground aero handlbook - Apr 13 2023

web sep 25 2022 did you know that the iata standard ground handling agreement is changing in 2023 the iata standard
ground handling agreement sgha is an
iata ground operations - Feb 11 2023

web the 2018 version is the latest standard ground handling agreement sgha learn about the latest updates and how to use
the iata sgha as a commercial agreement
iata ground operations - Mar 12 2023

web annex a description of services annex es b location s agreed services and charges contents of main agreement
definitions and terminology for the sake of

reviewing iata s standard ground handling agreement - Jan 10 2023

web jun 2 2023 the standards ground handling agreement sgha 2023 is effective as of this year the iata ground operations
standards groups has contracted industry

iata what is the iata standard ground handling agreement - Oct 19 2023

the iata standard ground handling agreement sgha is an agreement between airlines and ground service providers that
outlines the terms and conditions of contracted ground handling services it consists of the legal and regulatory requirements
qualitative standards and operational see more

[iata ground handlers](#) - Jun 15 2023

the service level agreement is the agreement between the airline and the ground service provider at a specific location which
see more

hfw reviewing iata s standard ground handling agreement - Dec 09 2022

web standard ground handling agreement 2018 sgha a unique industry contract template drawn up by both parties airlines

and service providers what are the changes until now

iata iata ground operations manual igom - Nov 08 2022

web jun 10 2023 ground operations what is the iata standard ground handling agreement sgaha and what has changed in the latest edition utilizing a standard

iata standard ground handling agreement law insider - Jul 04 2022

web jan 1 2022 iata standard ground handling agreement standard ground handling agreement simplified procedure annex b location s agreed

standard ground handling agreement zvarnotes - Jun 03 2022

web the latest version of who international atmospheric transport association s iata normal ground handling agreement sgaha went live on 1 january 2018 we consider the

article 8 iata standard ground handling agreement pdf4pro - Apr 01 2022

web iata standard ground handling agreement or sgaha means the standard ground handling agreement issued by iata 2008 2013 or 2018 version as per the iata

iata sgaha standard ground handling agreement pdf scribd - Aug 05 2022

web the iata ground operations manual igom standardizes ground handling processes and procedures to reduce the complexity between working with multiple airlines airports

ahm 810 iata standard ground handling agreement 35th - Oct 07 2022

web jan 9 2018 the latest version of the international air transport association s iata standard ground handling agreement sgaha went live on 1 january 2018 we

on demand webinar taking a closer look standard ground - May 14 2023

web iata s standard ground handling agreement sgaha is a trusted and straightforward agreement that supports our aim of building successful relationships with our airline

standard ground handling agreement in italy what to know - May 02 2022

web definitions 10 main agreement 12 annex a ground handling services 23 annex b simplified procedure 56 standard ground handling agreement 1998 main

iata standard ground handling agreement - Jan 30 2022

web feb 17 2021 standard ground handling agreement sgaha is the model for handling contract created by iata international air transport association this type of contract

hfw reviewing iata s standard ground handling agreement - Sep 06 2022

web the latest version of the international air transport association s iata standard ground handling agreement sgaha went

live on 1 january 2018 we consider the main

standard ground handling agreement anasayfa - Oct 27 2021

web standard ground handling agreement effective 1 january 2013 1 iata airport handling manual ahm 810 january 2013

standard ground handling

standard ground handling agreement menzies - Sep 18 2023

iata s standard ground handling agreement is a comprehensive template including the necessary articles to come to a working agreement see more

september passenger demand provides solid end to third - Dec 29 2021

web iata has suggested a standard format format for all its ground handling agreements and service level agreements the handling ground handling services

iata standard ground handling agreement sgaha vol 2008 - Jul 16 2023

in the sgaha the parties agree on the services and the operational requirements and in the sla they agree on the expected level of service during the negotiations both parties use the sla to agree on 1 what is to be see more

[iata on demand experts panel 2023 not the same old](#) - Aug 17 2023

within the 2023 release of the airport handling manual ahm at its 43rd edition is the new sgaha which is updated every 5 years to align with the most current laws and regulations available some of see more

iata standard ground handling agreement - Feb 28 2022

web standard ground handling agreement simplified procedure annex b1 0 location s agreed services and charges to the standard ground handling

standard ground handling agreement pdf - Nov 27 2021

web 2 1 for a single ground handling consisting of the arrival and the subsequent departure at agreed timings of the same aircraft the handling company shall provide the following