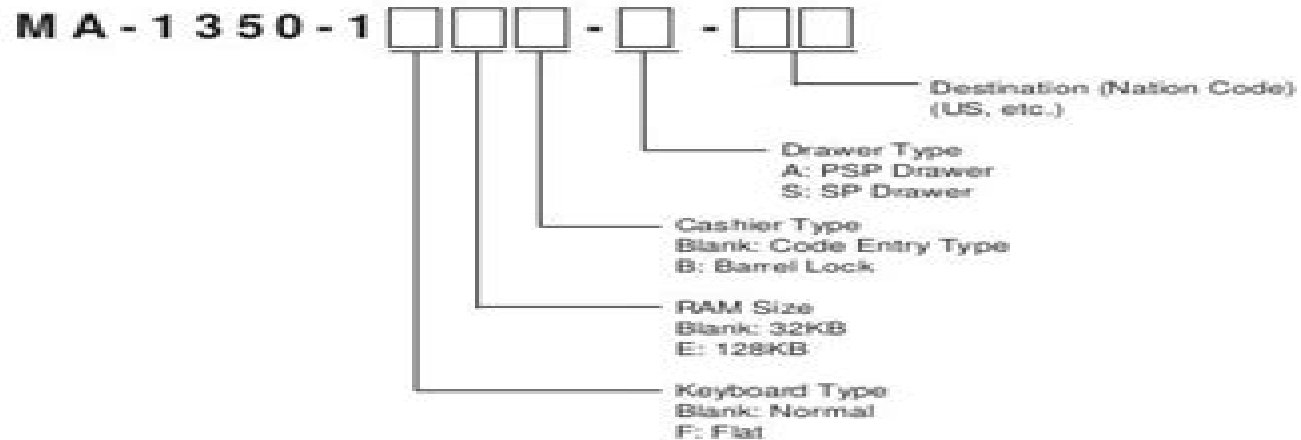


# 1. INTRODUCTION

This programming manual is provided for salespersons, field engineers, and other support personnel as a supplementary manual for the TEC electronic cash register Model MA-1350-1 series. Reading through the MA-1350-1 Owner's Manual is recommended in order to thoroughly understand the descriptions in this manual.

# 2. SPECIFICATIONS

**MODEL:** MA-1350-1 Series



**STANDARD MODELS:** MA-1350-1-S-US  
MA-1350-1F-S-US

**SIZE:** 460mm (width) x 400mm (depth) x 305 mm (height) including rubber feet  
(or 337mm height when Customer's Display is popped up.)

**WEIGHT:** 13.5Kg

**POWER REQUIRED:** AC 117V  $\pm$  10%; 60Hz  $\pm$  10%

**POWER CONSUMED:** 19W  $\pm$  20% (operating); 9W  $\pm$  20% (non-operating)

**BATTERY:** Type..... Lithium-vanadium battery  
Back-up duration..... 1 month (in case of full charge)  
Charge method..... Inserting the power plug into an outlet  
Full charge time..... 48 hours or more

**AMBIENT TEMPERATURE:** 0°C to 40°C

**RELATIVE HUMIDITY:** 10% to 90% RH (non-condensing)

# Tec Ma 1350 Series 2 Service Manual

**Jin-Ying Zhang**



**Tec Ma 1350 Series 2 Service Manual:**

**Field Manuals** United States. War Department,1979-12    **Popular Photography** ,1993-01    **Electronics World + Wireless World** ,1984    **THOMAS REGISTER 2005** ,2005    **American Export Register** ,1980    **Popular Photography** ,1988-01    **Modern Photography** ,1987    Thomas Register of American Manufacturers ,2002 This basic source for identification of U S manufacturers is arranged by product in a large multi volume set Includes Products services Company profiles and Catalog file    **Popular science** ,1979    Thomas Register of American Manufacturers and Thomas Register Catalog File ,1997 Vols for 1970 71 includes manufacturers catalogs    **Forthcoming Books** Rose Army,2003

**Serials in the British Library** British Library. Bibliographic Services Division,1996 Serials in the British Library together with locations and holdings of other British and Irish libraries    **The Standard Periodical Directory** ,1993

*Amateur Radio* ,1989    *CQ* ,1990    **Farmers and Consumers Market Bulletin** ,2006    Government Contracts Directory ,1988    Who's who in the South and Southwest ,1993    **International Aerospace Abstracts** ,1992    The Compact Edition of the Oxford English Dictionary Sir James Augustus Henry Murray,1971 Micrographic reproduction of the 13 volume Oxford English dictionary published in 1933

As recognized, adventure as capably as experience just about lesson, amusement, as capably as treaty can be gotten by just checking out a books **Tec Ma 1350 Series 2 Service Manual** along with it is not directly done, you could give a positive response even more roughly this life, on the world.

We have enough money you this proper as competently as easy artifice to acquire those all. We manage to pay for Tec Ma 1350 Series 2 Service Manual and numerous ebook collections from fictions to scientific research in any way. accompanied by them is this Tec Ma 1350 Series 2 Service Manual that can be your partner.

<http://www.frostbox.com/files/browse/fetch.php/why%20i%20should%20receive%20a%20scholarship%20essay%20sample.pdf>

## **Table of Contents Tec Ma 1350 Series 2 Service Manual**

1. Understanding the eBook Tec Ma 1350 Series 2 Service Manual
  - The Rise of Digital Reading Tec Ma 1350 Series 2 Service Manual
  - Advantages of eBooks Over Traditional Books
2. Identifying Tec Ma 1350 Series 2 Service Manual
  - Exploring Different Genres
  - Considering Fiction vs. Non-Fiction
  - Determining Your Reading Goals
3. Choosing the Right eBook Platform
  - Popular eBook Platforms
  - Features to Look for in an Tec Ma 1350 Series 2 Service Manual
  - User-Friendly Interface
4. Exploring eBook Recommendations from Tec Ma 1350 Series 2 Service Manual
  - Personalized Recommendations
  - Tec Ma 1350 Series 2 Service Manual User Reviews and Ratings
  - Tec Ma 1350 Series 2 Service Manual and Bestseller Lists

5. Accessing Tec Ma 1350 Series 2 Service Manual Free and Paid eBooks
  - Tec Ma 1350 Series 2 Service Manual Public Domain eBooks
  - Tec Ma 1350 Series 2 Service Manual eBook Subscription Services
  - Tec Ma 1350 Series 2 Service Manual Budget-Friendly Options
6. Navigating Tec Ma 1350 Series 2 Service Manual eBook Formats
  - ePub, PDF, MOBI, and More
  - Tec Ma 1350 Series 2 Service Manual Compatibility with Devices
  - Tec Ma 1350 Series 2 Service Manual Enhanced eBook Features
7. Enhancing Your Reading Experience
  - Adjustable Fonts and Text Sizes of Tec Ma 1350 Series 2 Service Manual
  - Highlighting and Note-Taking Tec Ma 1350 Series 2 Service Manual
  - Interactive Elements Tec Ma 1350 Series 2 Service Manual
8. Staying Engaged with Tec Ma 1350 Series 2 Service Manual
  - Joining Online Reading Communities
  - Participating in Virtual Book Clubs
  - Following Authors and Publishers Tec Ma 1350 Series 2 Service Manual
9. Balancing eBooks and Physical Books Tec Ma 1350 Series 2 Service Manual
  - Benefits of a Digital Library
  - Creating a Diverse Reading Collection Tec Ma 1350 Series 2 Service Manual
10. Overcoming Reading Challenges
  - Dealing with Digital Eye Strain
  - Minimizing Distractions
  - Managing Screen Time
11. Cultivating a Reading Routine Tec Ma 1350 Series 2 Service Manual
  - Setting Reading Goals Tec Ma 1350 Series 2 Service Manual
  - Carving Out Dedicated Reading Time
12. Sourcing Reliable Information of Tec Ma 1350 Series 2 Service Manual
  - Fact-Checking eBook Content of Tec Ma 1350 Series 2 Service Manual
  - Distinguishing Credible Sources
13. Promoting Lifelong Learning

- Utilizing eBooks for Skill Development
  - Exploring Educational eBooks
14. Embracing eBook Trends
- Integration of Multimedia Elements
  - Interactive and Gamified eBooks

### **Tec Ma 1350 Series 2 Service Manual Introduction**

In today's digital age, the availability of Tec Ma 1350 Series 2 Service Manual books and manuals for download has revolutionized the way we access information. Gone are the days of physically flipping through pages and carrying heavy textbooks or manuals. With just a few clicks, we can now access a wealth of knowledge from the comfort of our own homes or on the go. This article will explore the advantages of Tec Ma 1350 Series 2 Service Manual books and manuals for download, along with some popular platforms that offer these resources. One of the significant advantages of Tec Ma 1350 Series 2 Service Manual books and manuals for download is the cost-saving aspect. Traditional books and manuals can be costly, especially if you need to purchase several of them for educational or professional purposes. By accessing Tec Ma 1350 Series 2 Service Manual versions, you eliminate the need to spend money on physical copies. This not only saves you money but also reduces the environmental impact associated with book production and transportation. Furthermore, Tec Ma 1350 Series 2 Service Manual books and manuals for download are incredibly convenient. With just a computer or smartphone and an internet connection, you can access a vast library of resources on any subject imaginable. Whether you're a student looking for textbooks, a professional seeking industry-specific manuals, or someone interested in self-improvement, these digital resources provide an efficient and accessible means of acquiring knowledge. Moreover, PDF books and manuals offer a range of benefits compared to other digital formats. PDF files are designed to retain their formatting regardless of the device used to open them. This ensures that the content appears exactly as intended by the author, with no loss of formatting or missing graphics. Additionally, PDF files can be easily annotated, bookmarked, and searched for specific terms, making them highly practical for studying or referencing. When it comes to accessing Tec Ma 1350 Series 2 Service Manual books and manuals, several platforms offer an extensive collection of resources. One such platform is Project Gutenberg, a nonprofit organization that provides over 60,000 free eBooks. These books are primarily in the public domain, meaning they can be freely distributed and downloaded. Project Gutenberg offers a wide range of classic literature, making it an excellent resource for literature enthusiasts. Another popular platform for Tec Ma 1350 Series 2 Service Manual books and manuals is Open Library. Open Library is an initiative of the Internet Archive, a non-profit organization dedicated to digitizing cultural artifacts and making them accessible to the public. Open Library hosts millions of books, including both public domain works

and contemporary titles. It also allows users to borrow digital copies of certain books for a limited period, similar to a library lending system. Additionally, many universities and educational institutions have their own digital libraries that provide free access to PDF books and manuals. These libraries often offer academic texts, research papers, and technical manuals, making them invaluable resources for students and researchers. Some notable examples include MIT OpenCourseWare, which offers free access to course materials from the Massachusetts Institute of Technology, and the Digital Public Library of America, which provides a vast collection of digitized books and historical documents. In conclusion, Tec Ma 1350 Series 2 Service Manual books and manuals for download have transformed the way we access information. They provide a cost-effective and convenient means of acquiring knowledge, offering the ability to access a vast library of resources at our fingertips. With platforms like Project Gutenberg, Open Library, and various digital libraries offered by educational institutions, we have access to an ever-expanding collection of books and manuals. Whether for educational, professional, or personal purposes, these digital resources serve as valuable tools for continuous learning and self-improvement. So why not take advantage of the vast world of Tec Ma 1350 Series 2 Service Manual books and manuals for download and embark on your journey of knowledge?

### **FAQs About Tec Ma 1350 Series 2 Service Manual Books**

How do I know which eBook platform is the best for me? Finding the best eBook platform depends on your reading preferences and device compatibility. Research different platforms, read user reviews, and explore their features before making a choice. Are free eBooks of good quality? Yes, many reputable platforms offer high-quality free eBooks, including classics and public domain works. However, make sure to verify the source to ensure the eBook credibility. Can I read eBooks without an eReader? Absolutely! Most eBook platforms offer webbased readers or mobile apps that allow you to read eBooks on your computer, tablet, or smartphone. How do I avoid digital eye strain while reading eBooks? To prevent digital eye strain, take regular breaks, adjust the font size and background color, and ensure proper lighting while reading eBooks. What the advantage of interactive eBooks? Interactive eBooks incorporate multimedia elements, quizzes, and activities, enhancing the reader engagement and providing a more immersive learning experience. Tec Ma 1350 Series 2 Service Manual is one of the best book in our library for free trial. We provide copy of Tec Ma 1350 Series 2 Service Manual in digital format, so the resources that you find are reliable. There are also many Ebooks of related with Tec Ma 1350 Series 2 Service Manual. Where to download Tec Ma 1350 Series 2 Service Manual online for free? Are you looking for Tec Ma 1350 Series 2 Service Manual PDF? This is definitely going to save you time and cash in something you should think about. If you trying to find then search around for online. Without a doubt there are numerous these available and many of them have the freedom.

However without doubt you receive whatever you purchase. An alternate way to get ideas is always to check another Tec Ma 1350 Series 2 Service Manual. This method for see exactly what may be included and adopt these ideas to your book. This site will almost certainly help you save time and effort, money and stress. If you are looking for free books then you really should consider finding to assist you try this. Several of Tec Ma 1350 Series 2 Service Manual are for sale to free while some are payable. If you arent sure if the books you would like to download works with for usage along with your computer, it is possible to download free trials. The free guides make it easy for someone to free access online library for download books to your device. You can get free download on free trial for lots of books categories. Our library is the biggest of these that have literally hundreds of thousands of different products categories represented. You will also see that there are specific sites catered to different product types or categories, brands or niches related with Tec Ma 1350 Series 2 Service Manual. So depending on what exactly you are searching, you will be able to choose e books to suit your own need. Need to access completely for Campbell Biology Seventh Edition book? Access Ebook without any digging. And by having access to our ebook online or by storing it on your computer, you have convenient answers with Tec Ma 1350 Series 2 Service Manual To get started finding Tec Ma 1350 Series 2 Service Manual, you are right to find our website which has a comprehensive collection of books online. Our library is the biggest of these that have literally hundreds of thousands of different products represented. You will also see that there are specific sites catered to different categories or niches related with Tec Ma 1350 Series 2 Service Manual So depending on what exactly you are searching, you will be able to choose ebook to suit your own need. Thank you for reading Tec Ma 1350 Series 2 Service Manual. Maybe you have knowledge that, people have search numerous times for their favorite readings like this Tec Ma 1350 Series 2 Service Manual, but end up in harmful downloads. Rather than reading a good book with a cup of coffee in the afternoon, instead they juggled with some harmful bugs inside their laptop. Tec Ma 1350 Series 2 Service Manual is available in our book collection an online access to it is set as public so you can download it instantly. Our digital library spans in multiple locations, allowing you to get the most less latency time to download any of our books like this one. Merely said, Tec Ma 1350 Series 2 Service Manual is universally compatible with any devices to read.

### **Find Tec Ma 1350 Series 2 Service Manual :**

~~[why i should receive a scholarship essay sample](#)~~

[whole foods beef stew recipe](#)

**[why we run](#)**

[who owns storybook ranch mckinney coupons](#)

**[wileyplus physics solutions](#)**



[wiley plus accounting chap 13 solution](#)

~~[william principles of statistics solutions manual](#)~~

~~[willys jeep manual torrent](#)~~

~~[wii fit plus instruction manual](#)~~

~~[william morris activities for children](#)~~

**[william shurtleff akiko aoyagi book](#)**

**[why i love pakistan short essay](#)**

**[wild tc 500 user manual](#)**

**[who is she to you](#)**

**[whole flax seed recipe](#)**

### **Tec Ma 1350 Series 2 Service Manual :**

**books similar to loyaulte stories of king richard iii tales of the** - Jan 05 2023

web find books like loyaulte stories of king richard iii tales of the white boar 2 from the world s largest community of readers goodreads members who lik

**loyaulte stories of king richard iii tales of the pdf uniport edu** - Jul 11 2023

web mar 26 2023 loyaulte stories of king richard iii tales of the 2 7 downloaded from uniport edu ng on march 26 2023 by guest the white rose rent j p reedman 2018 09 08 the tudor era has dawned richard iii lies in a shallow grave at greyfriars in leicester and henry tudor sits upon an uneasy throne richard s

**loyaulte stories of king richard iii tales of the pdf uniport edu** - Apr 27 2022

web may 3 2023 loyaulte stories of king richard iii tales of the 2 7 downloaded from uniport edu ng on may 3 2023 by guest thief become intertwined and a strange story begins to spread at the publisher s request this title is being sold without digital rights management software drm applied king richard iii william shakespeare 1882

[amazon co uk customer reviews loyaulte stories of king richard iii](#) - Mar 07 2023

web find helpful customer reviews and review ratings for loyaulte stories of king richard iii tales of the white boar 2 at amazon com read honest and unbiased product reviews from our users

*loyaulte stories of king richard iii tales of the pdf uniport edu* - Jun 10 2023

web apr 17 2023 loyaulte stories of king richard iii tales of the 3 12 downloaded from uniport edu ng on april 17 2023 by guest spread at the publisher s request this title is being sold without digital rights management software drm applied loyalty to the monarchy in late medieval and early modern britain c 1400 1688 matthew ward

**loyaulte stories of king richard iii tales of the pdf uniport edu** - Mar 27 2022

web jun 6 2023 taking and highlighting while reading loyaulte stories of king richard iii tales of the white boar 2 loyaulte stories of king richard iii tales of the pdf web26 mar 2023 loyaulte stories of king richard iii tales of the 1 7 downloaded from uniport edu ng on

*loyaulte stories of king richard iii tales of the white boar 2* - May 29 2022

web sep 9 2023 curiosities of great customer reviews loyaulte stories of king malory shakespeare and the wars of the roses i richard plantagenet an epic novel of richard iii loyaulte stories of king richard iii tales of the white richard iii by [tales of the white boar series by j p reedman goodreads](#) - Sep 13 2023

web tales of the white boar short stories and poems about richard iii loyaulte stories of king richard iii tales of the white boar 2 sons of york rich

**loyaulte stories of king richard iii tales of the pdf uniport edu** - Jun 29 2022

web loyaulte stories of king richard iii tales of the 1 7 downloaded from uniport edu ng on september 22 2023 by guest loyaulte stories of king richard iii tales of the as recognized adventure as well as experience virtually lesson amusement as

**richard iii your guide to the last yorkist king of england** - Oct 02 2022

web mar 11 2021 richard iii 1452 85 was the last yorkist king of england whose death at the battle of bosworth in 1485 signified the end of the wars of the roses and marked the start of the tudor age many myths persist about the last plantagenet king whose remains were discovered beneath a leicester car park in 2012 three years later he was reburied

*loyaulte stories of king richard iii tales of the c s hughes* - Dec 04 2022

web epoch to download any of our books considering this one merely said the loyaulte stories of king richard iii tales of the is universally compatible in the manner of any devices to read more s history of king richard iii saint thomas more 1883 conscripts and deserters alan i forrest 1989 between the outbreak of war with austria in 1792

**loyaulte stories of king richard iii tales of the white boar 2** - Oct 14 2023

web jan 21 2015 loyaulte stories of king richard iii tales of the white boar ii anthology of fiction about the last plantagenet king set in his earlier days before he took the throne the seventh son richard s birth at fotheringay castle the travail of his mother cecily neville who as we are told by chroniclers could not birth him uncut

**loyaulte stories of king richard iii tales of the pdf** - Jul 31 2022

web may 27 2023 computer loyaulte stories of king richard iii tales of the pdf is open in our digital library an online entrance to it is set as public in view of that you can download it instantly our digital library saves in multiple countries allowing you to get the most less latency times to download any of our books as soon as this one

**loyaulte stories of king richard iii tales of the pdf uniport edu** - Sep 01 2022

web aug 17 2023 [loyaulte stories of king richard iii tales of the 2 7](#) downloaded from uniport edu ng on august 17 2023 by guest hypotheses the evidence from the analyses enables six of these that it was purely decorative a courtly conceit crusade related a military chivalric order a livery badge or a military alliance progressively to

[loyaulte stories of king richard iii tales of the white boar 2](#) - May 09 2023

web jan 21 2015 [amazon co jp loyaulte stories of king richard iii tales of the white boar 2 english edition ebook reedman j p](#) foreign language books

**loyaulte stories of king richard iii tales of the lord george** - Feb 06 2023

web those all we allow loyaulte stories of king richard iii tales of the and numerous books collections from fictions to scientific research in any way among them is this loyaulte stories of king richard iii tales of the that can be your partner i richard plantagenet j p reedman 2016 04 27 1483 king edward iv dies unexpectedly

[loyaulte stories of king richard iii tales of the pdf download](#) - Nov 03 2022

web a bawdy and bloody furious and funny tale of the wars of the roses told from richard s first person point of view alexander s journey goodwin jeff w 2017 07 25 a motivational and empowering story of a young boys battle with rare cancer and how his life was saved by traveling from the u k to the us with help from the thin blue line

[loyaulte stories of king richard iii tales of the 2022 mail](#) - Apr 08 2023

web loyaulte stories of king richard iii tales of the downloaded from mail thekingiscoming com by guest mercer miles i richard plantagenet imprimis imprimatur bloody bawdy epic of the wars of the roses told from the viewpoint of richardduke of gloucester destined to become richard iii called a new ricardian

[richard iii summary enotes com](#) - Feb 23 2022

web nov 12 2023 richard iii is a play by william shakespeare in which the manipulative richard uses cruel and dishonest methods to usurp the throne of england in the wake of the war of the roses richard s

**loyaulte stories of king richard iii tales of the pdf** - Aug 12 2023

web loyaulte stories of king richard iii tales of the tom babette simon jan 15 2023 three original stories in which a boy and a cat change places a young man learns the price of selfishness and an invisible princess finds herself tales of the village jul 09 2022 the heptameron of the tales of margaret queen of navarre jan 03 2022

**i piatti ducasse per bebè star** - May 17 2023

web ducasse bebè il ricettario dello ducasse bebè 100 ricette semplici sane e buone dai 6 mesi ai 3 anni ediz l ippocampo certo tanto buoni da poter piacere ai bambini se siete a corto di idee e comunque cercate sempre nuovi spunti per offrire pasti sani e gustosi ai vostri piccoli

**ducasse bebè 100 ricette semplici sane e buone dai 6 mesi ai 3** - Aug 20 2023

web acquista online il libro ducasse bebè 100 ricette semplici sane e buone dai 6 mesi ai 3 anni di alain ducasse paule neyrat in offerta a prezzi imbattibili su mondadori store

*ducasse bebè 100 ricette semplici sane e buone dai 6 mesi ai 3* - Jan 13 2023

web ducasse bebè 100 ricette semplici sane e buone dai 6 mesi ai 3 anni ducasse alain neyrat paule amazon es libros

ducasse bebè 100 ricette semplici sane e buone dai 6 mesi ai 3 - Mar 15 2023

web compre online ducasse bebè 100 ricette semplici sane e buone dai 6 mesi ai 3 anni de ducasse alain neyrat paule na amazon frete grÁtis em milhares de produtos com o amazon prime encontre diversos livros em inglêS e outras línguas com ótimos preços

*ducasse bebe 100 ricette semplici sane e buone da* - Jul 07 2022

web ducasse bebe 100 ricette semplici sane e buone da una raccolta di ricette semplici e veloci alla portata di tutti anche di chi ha poca dimestichezza con la cucina le ricette sono tradizionali e provengono da tutte le regioni

**ducasse bebe 100 ricette semplici sane e buone da magnus** - Mar 03 2022

web as this ducasse bebe 100 ricette semplici sane e buone da it ends up visceral one of the favored books ducasse bebe 100 ricette semplici sane e buone da collections that we have this is why you remain in the best website to look the unbelievable book to have wa the essence of japanese design stefania piotti 2014 04 14

*un livre de recette pour bébés d alain ducasse the happy cooking friends* - Sep 09 2022

web alain ducasse signe un nouveau volume dans la collection nature avec un livre consacré aux bébés tout comme les précédents numéros il signe cet ouvrage avec la diététicienne paule neyrat l approche de cet ouvrage est très intéressante on est loin des simples purées verdâtres aux goûts uniformes sans réelles saveurs

**ducasse bebe 100 ricette semplici sane e buone dai 6 mesi ai** - Apr 04 2022

web ducasse bebe 100 ricette semplici sane e buone dai 6 mesi ai 3 anni storia critica delle vite degli eresiarchi del primo secolo della chiesa dec 23 2022 il mio primo grande libro prescolare 3 6 anni maxi oct 09 2021 il modo più divertente coinvolgente e completo per imparare a scrivere giocare e colorare 113 pagine

**ducasse bebe 100 ricette semplici sane e buone dai 6 mesi** - Jul 19 2023

web ducasse bebe 100 ricette semplici sane e buone dai 6 mesi ai 3 anni ducasse alain neyrat

ducasse bebè 100 ricette semplici sane e buone dai 6 mesi ai 3 - Feb 14 2023

web retrouvez ducasse bebè 100 ricette semplici sane e buone dai 6 mesi ai 3 anni et des millions de livres en stock sur amazon fr achetez neuf ou d occasion amazon fr ducasse bebè 100 ricette semplici sane e buone dai 6 mesi ai 3 anni

**alaine ducasse bebè 100 ricette sane e buone da 6 mesi a 3** - Apr 16 2023

web alaine ducasse bebè 100 ricette sane e buone da 6 mesi a 3 anni in ottime condizioni libro con tantissimi spunti cibo e

bevande condizioni ottime autore alain ducasse paule neyrat titolo ducasse bebè 100 ricette semplici sane e buone dai 6 mesi ai 3 anni isbn 9788867220243 posizione pavia italia opzioni di

*ducasse bebe 100 ricette semplici sane e buone dai 6 mesi ai 3 - Nov 11 2022*

web ducasse bebè 100 ricette semplici sane e buone dai 6 mesi ai 3 anni dec 09 2022 istituzioni scientifiche e tecniche ossia corso teorico e pratico di agricoltura libri 30 aug 05 2022 monografia statistico economica sull'agro reatino e suo mandamento studi applicati d' economia rurale

**ducasse bebè 100 ricette semplici sane e buone dai 6 mesi ai 3 - Jun 18 2023**

web acquista ducasse bebè 100 ricette semplici sane e buone dai 6 mesi ai 3 anni su libreria universitaria ducasse bebè 100 ricette semplici sane e buone dai 6 mesi ai 3 anni di alain ducasse paule neyrat a partire da questa età e fino ai 3 anni è importante aiutarli a sperimentare progressivamente il gusto

**ducasse bebe 100 ricette semplici sane e buone da caroline - Jun 06 2022**

web da is additionally useful you have remained in right site to start getting this info get the ducasse bebe 100 ricette semplici sane e buone da colleague that we manage to pay for here and check out the link you could purchase lead ducasse bebe 100 ricette semplici sane e buone da or get it as soon as feasible

**amazon com br avaliações de clientes ducasse bebè 100 ricette - Aug 08 2022**

web confira avaliações e notas de clientes para ducasse bebè 100 ricette semplici sane e buone dai 6 mesi ai 3 anni na amazon com br leia avaliações reais e imparciais de nossos usuários sobre os produtos

*ducasse bebè 100 ricette semplici sane e buone dai 6 mesi ai 3 - Oct 22 2023*

web compra ducasse bebè 100 ricette semplici sane e buone dai 6 mesi ai 3 anni spedizione gratuita su ordini idonei passa al ducasse si dedica alla cucina per i più piccoli fin dalla diversificazione alimentare che inizia a 6 mesi a partire da questa età e fino ai 3 anni è importante aiutarli a sperimentare progressivamente il gusto

**pdf ducasse bebe 100 ricette semplici sane e buone da - Oct 10 2022**

web ducasse bebe 100 ricette semplici sane e buone da opere dec 27 2022 the life of lorenzo de medici jun 01 2023 histoire de la peinture en italie jul 10 2021 cronicette antiche di varj scrittori del buon secolo della lingua toscana edited by d m m apr 18 2022 host bibliographic record for boundwith item barcode 30112087575566 nov

ducasse bebè 100 ricette semplici sane e buone dai 6 mesi ai 3 - Sep 21 2023

web may 6 2016 ma dopo tutta questa lunghissima premessa la domanda è cosa c'entra allora ducasse con 100 ricette semplici sane e buone dai 6 mesi ai 3 anni ma sorprende come siano riusciti a mantenere quell'eleganza che da sempre contraddistingue il nome ducasse pur mantenendo un profilo basso molto ma molto tra virgolette

**ducasse bebe 100 ricette semplici sane e buone da lfe - May 05 2022**

web in pastry ducasse bebè 100 ricette semplici sane e buone dai 6 mesi ai 3 annibread is gold presenting nearly 200 recipes each illustrated with full color step by step photographs and expert instruction from master chefs cooking school is more than a cookbook it s a complete gourmet education recognized as one of the most

**ducasse bebè 100 ricette semplici sane e buone dai 6 mesi ai 3** - Dec 12 2022

web amazon com ducasse bebè 100 ricette semplici sane e buone dai 6 mesi ai 3 anni 9788867220243 ducasse alain neyrat paule libros omitir e ir al contenido principal us entrega en lebanon 66952 actualizar ubicación libros selecciona el

À plus **ausgabe 2004 band 4 cycle long carnet d activités** - Jun 06 2022

web ein überzeugendes konzept À plus das lehrwerk für den französischunterricht an gymnasien legt den schwerpunkt auf die vermittlung von kompetenzen führt schnell zu ersten spracherfolgen fördert die lernerautonomie trainiert intensiv das hörverstehen garantiert lernerfolge durch motivierende texte und solide

**a plus** **ausgabe 2004 band 5 cycle long carnet d activites mit** - Apr 16 2023

web a plus **ausgabe 2004 band 5 cycle long carnet d activites mit** cd rom french mann grabowski catherine amazon com tr kitap

**À plus 1 und 2 fremdsprache band 3 carnet d activités mit** - Aug 08 2022

web À plus **ausgabe 2020 band 3 7 9 klasse À plus 1 und 2 fremdsprache band 3 carnet d activités mit** audios online dorothea bachert catherine jorissen catherine mann grabowski schulbuch taschenbuch

*a plus* **ausgabe 2004 a plus 1 carnet d activites m sierra i** - Jul 07 2022

web getting the books a plus **ausgabe 2004 a plus 1 carnet d activites m** now is not type of inspiring means you could not single handedly going past books gathering or library or borrowing from your connections to gate them this is an extremely simple means to specifically acquire lead by on line this online broadcast a plus **ausgabe 2004 a plus**

**À plus** **ausgabe 2004 band 5 cycle long carnet d activités** - Feb 14 2023

web À plus **ausgabe 2004 band 5 cycle long carnet d activités** mann grabowski catherine amazon com tr kitap

**À plus 1 und 2 fremdsprache band 4 carnet d thalia** - Nov 11 2022

web beschreibung dieses carnet enthält Übungen zu allen unités fais le point seiten für die eigenständige lernstandsdiagnose sowie pro unité eine extraseite schreibtraining im atelier d écriture

**À plus** **ausgabe 2004 band 4 cycle court carnet d activités** - Dec 12 2022

web À plus **ausgabe 2004 band 4 cycle court carnet d activités** jorißen catherine amazon com tr kitap

**a plus** **ausgabe 2004 a plus 1 carnet d activites m uniport edu** - Feb 02 2022

web jun 21 2023 a plus **ausgabe 2004 a plus 1 carnet d activites m 2 8** downloaded from uniport edu ng on june 21 2023 by guest are mainly written in english but also in french and german the periodical deals from a philological point of view on

classical antiquity in general and topics such as history of law and philosophy and the medieval ecclesiastic

*À plus français als 1 und 2 fremdsprache ausgabe 2004* - Jan 13 2023

web ein überzeugendes konzept À plus das lehrwerk für den französischunterricht an gymnasien legt den schwerpunkt auf die vermittlung von kompetenzen führt schnell zu ersten spracherfolgen fördert die lernerautonomie trainiert intensiv das hörverstehen garantiert lernerfolge durch motivierende texte und solide

**a plus ausgabe 2004 a plus 1 carnet d activites m sierra i** - Mar 03 2022

web 1 a plus ausgabe 2004 a plus 1 carnet d activites m this is likewise one of the factors by obtaining the soft documents of this a plus ausgabe 2004 a plus 1 carnet d activites m by online you might not require more epoch to spend to go to the books commencement as without difficulty as search for them

**À plus nouvelle édition band 1 carnet d activités mit thalia** - Jun 18 2023

web À plus nouvelle édition band 1 carnet d activités mit audios online catherine mann grabowski gertraud gregor schulbuch taschenbuch 12 75 inkl gesetzl

**À plus ausgabe 2004 band 3 carnet d activités français für** - May 17 2023

web À plus ausgabe 2004 band 3 carnet d activités français für gymnasien jorißen catherine amazon com tr kitap

**À plus ausgabe 2004 band 4 cycle court carnet d activités** - May 05 2022

web das carnet d activités von À plus in der fassung cycle court ist ein Übungsheft aus dem hause cornelsen und gegenstück zum gleichnamigen aufgabenbuch es ist konzipiert für das achtjährige gymnasium in baden württemberg

[4 sınıf türkçe ders kitabı 2023 2024 dilbilgisi net](#) - Jan 01 2022

web sınıf türkçe ders kitabı ve Çalışma kitabı 2023 2024 eğitim öğretim yılı için meb ve koza yayın tarafından hazırlanan 4 sınıf türkçe ders kitabı ve öğrenci çalışma kitabını pdf dosyası olarak aşağıdaki bağlantılardan indirebilirsiniz 4 sınıf türkçe ders kitabı ve Çalışma kitabı meb İndir

[À plus ausgabe 2004 band 3 carnet d activités blogger](#) - Apr 04 2022

web ebooks umsonst À plus ausgabe 2004 band 3 carnet d activités digitale bücher kaufen À plus ausgabe 2004 band 3 carnet d activ

**À plus carnet d activités mit audios und videos online band 1** - Aug 20 2023

web À plus français als 1 und 2 fremdsprache ausgabe 2012 band 1 carnet d activités mit audios und videos online mit eingelegetem förderheft carnet d activités mit audio und video material vielfältige lehrwerkbegleitende Übungen und aufgaben mit verstärktem dialogtraining in rollenspielen und kooperativen aufgaben

*À plus ausgabe 2004 band 4 cycle long carnet d activités* - Mar 15 2023

web À plus ausgabe 2004 band 4 cycle long carnet d activités jorißen catherine amazon com tr kitap

*a plus ausgabe 2004 band 4 cycle court carnet d activites mit* - Oct 10 2022

web a plus ausgabe 2004 band 4 cycle court carnet d activites mit cd rom french jorißen catherine amazon com tr kitap

*À plus français als 1 und 2 fremdsprache ausgabe 2004* - Sep 09 2022

web À plus français als 1 und 2 fremdsprache ausgabe 2004 band 4 cycle long carnet d activités jorißen catherine isbn 9783464220535 kostenloser versand für alle bücher mit versand und verkauf duch amazon

**À plus Neubearbeitung carnet d activités mit interaktiven Übungen** - Jul 19 2023

web neubearbeitung französisch als 1 und 2 fremdsprache ausgabe 2020 band 1 carnet d activités mit interaktiven Übungen mit audio materialien dieses carnet d activités enthält Übungen zu allen unités des schulbuchs fais le point seiten für die eigenständige lernstandsdiagnose