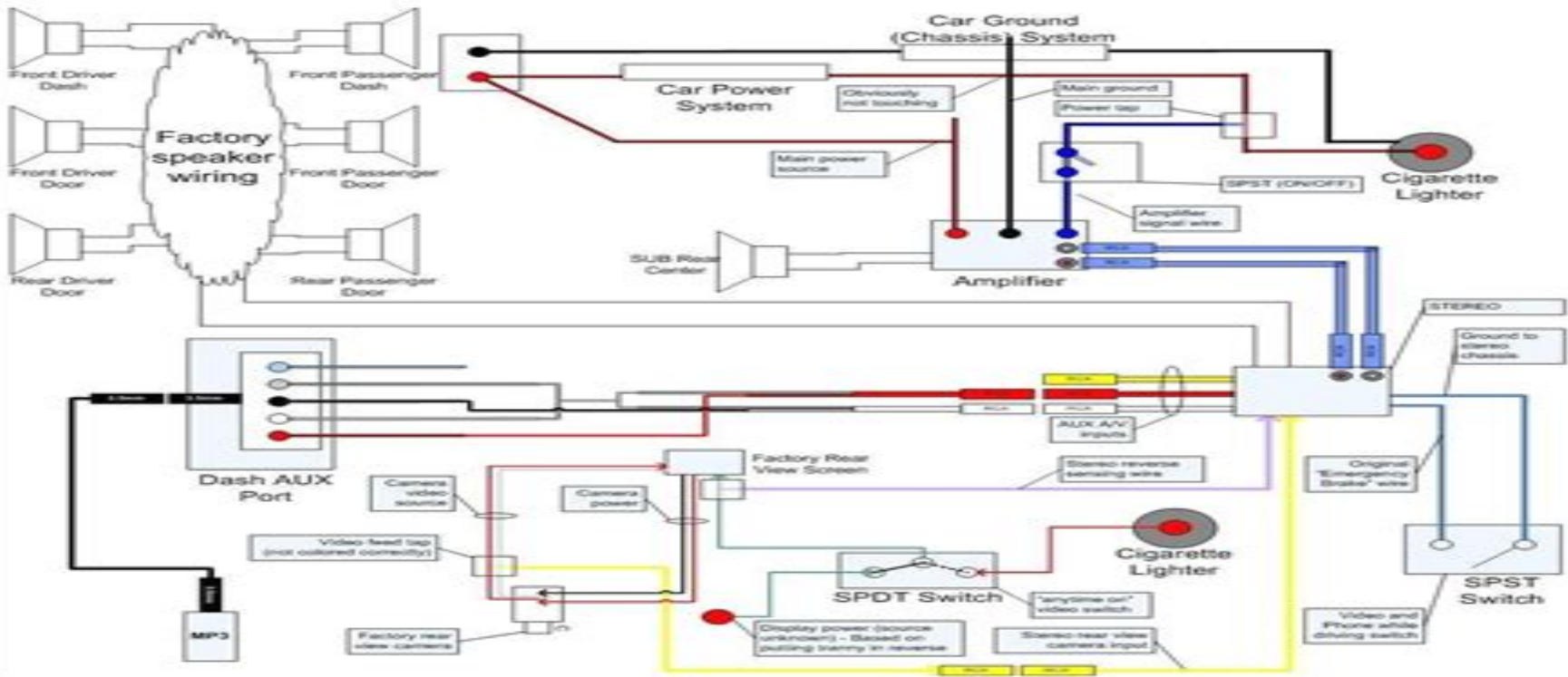
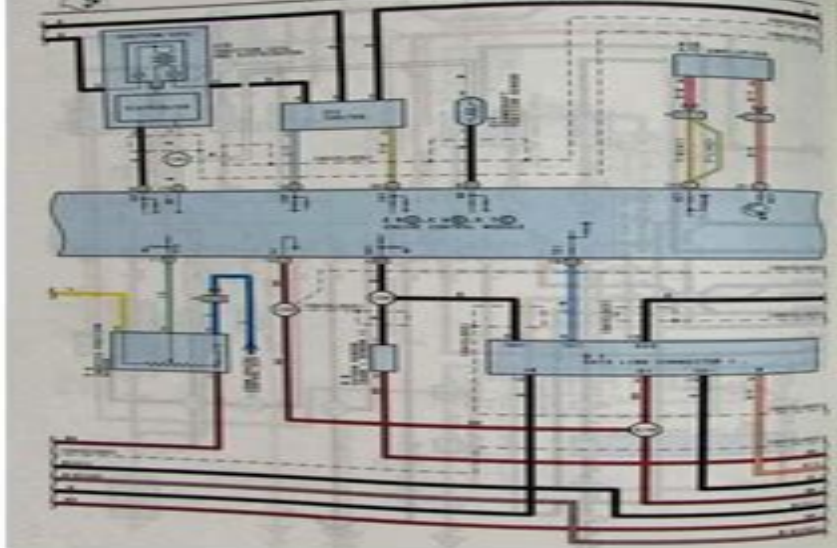


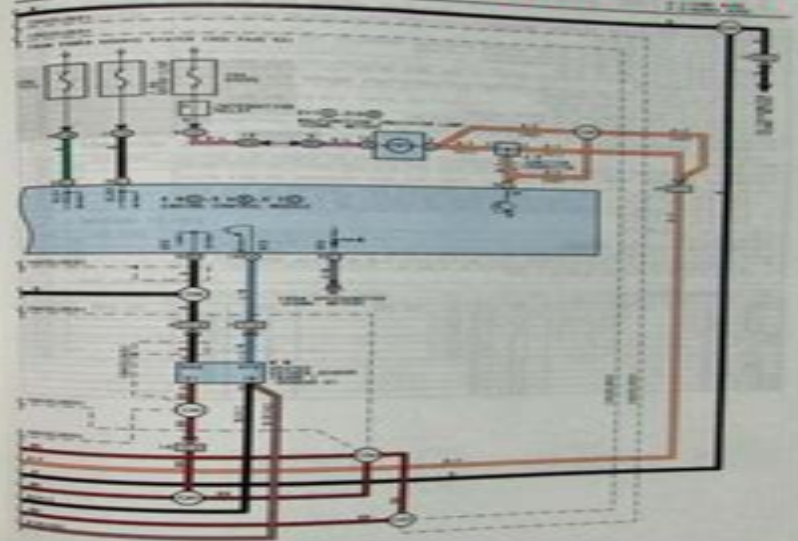
TOYOTA COROLLA ELECTRIC WIRING DIAGRAM



4A-FE M/T



Engine Control



Toyota 4agz Wiring Diagram

Toyota Jidōsha Kabushiki Kaisha

Toyota 4agz Wiring Diagram:

Toyota Corolla FF Electrical Wiring Diagram ,1983 Toyota Electrical Wiring Diagram, 1979 Model Toyota Motor Corp,1979 Toyota Rav 4 Toyota Motor Corporation,1994 Toyota Electrical Wiring Diagram Toyota Jidōsha Hanbai Kabushiki Kaisha,1981 **Toyota Electrical Wiring Diagram** Toyota Jidōsha Kabushiki Kaisha,1987 Toyota Toyota Motor Corporation. Overseas Service Dept,1987 *Toyota Electrical Wiring Diagram for U.S.A. & Canada* Toyota Jidōsha Hanbai Kabushiki Kaisha,1976 Toyota MR2 ,1990 **Toyota Electrical Wiring Diagram** ,1986 *Toyota Truck and 4runner* Toyota Jidōsha Kabushiki Kaisha,1986 **Toyota Electrical Wiring Diagram** ,1981 **1983 Toyota Corolla Electrical Wiring Diagram** Toyota Jidōsha Kōgyō Kabushiki Kaisha,1982 Toyota Electrical Wiring Diagram Toyota Jidōsha Hanbai Kabushiki Kaisha,1980 *Toyota Electrical Wiring Diagram* ,1979 **Toyota Electrical Wiring Diagram, Starlet, 1983 Model** ,1982 **Toyota Electrical Wiring Diagram Supplement** ,1989 **Toyota Camry Electrical Wiring Diagram** Toyota Jidōsha Kabushiki Kaisha,19?? Toyota Corolla FF Toyota Jidōsha Kabushiki Kaisha, *Toyota Electrical Wiring Diagram 1982 Models* ,1981 **Toyota Electrical Wiring Diagram** ,1983

Fuel your quest for knowledge with Authored by is thought-provoking masterpiece, Dive into the World of **Toyota 4agz Wiring Diagram** . This educational ebook, conveniently sized in PDF (*), is a gateway to personal growth and intellectual stimulation. Immerse yourself in the enriching content curated to cater to every eager mind. Download now and embark on a learning journey that promises to expand your horizons. .

<http://www.frostbox.com/About/scholarship/fetch.php/Wiring%20Diagram%20Of%20Engine%20Control%20Nissan%20Maxima%20199.pdf>

Table of Contents Toyota 4agz Wiring Diagram

1. Understanding the eBook Toyota 4agz Wiring Diagram
 - The Rise of Digital Reading Toyota 4agz Wiring Diagram
 - Advantages of eBooks Over Traditional Books
2. Identifying Toyota 4agz Wiring Diagram
 - Exploring Different Genres
 - Considering Fiction vs. Non-Fiction
 - Determining Your Reading Goals
3. Choosing the Right eBook Platform
 - Popular eBook Platforms
 - Features to Look for in an Toyota 4agz Wiring Diagram
 - User-Friendly Interface
4. Exploring eBook Recommendations from Toyota 4agz Wiring Diagram
 - Personalized Recommendations
 - Toyota 4agz Wiring Diagram User Reviews and Ratings
 - Toyota 4agz Wiring Diagram and Bestseller Lists
5. Accessing Toyota 4agz Wiring Diagram Free and Paid eBooks
 - Toyota 4agz Wiring Diagram Public Domain eBooks
 - Toyota 4agz Wiring Diagram eBook Subscription Services

- Toyota 4agz Wiring Diagram Budget-Friendly Options
- 6. Navigating Toyota 4agz Wiring Diagram eBook Formats
 - ePub, PDF, MOBI, and More
 - Toyota 4agz Wiring Diagram Compatibility with Devices
 - Toyota 4agz Wiring Diagram Enhanced eBook Features
- 7. Enhancing Your Reading Experience
 - Adjustable Fonts and Text Sizes of Toyota 4agz Wiring Diagram
 - Highlighting and Note-Taking Toyota 4agz Wiring Diagram
 - Interactive Elements Toyota 4agz Wiring Diagram
- 8. Staying Engaged with Toyota 4agz Wiring Diagram
 - Joining Online Reading Communities
 - Participating in Virtual Book Clubs
 - Following Authors and Publishers Toyota 4agz Wiring Diagram
- 9. Balancing eBooks and Physical Books Toyota 4agz Wiring Diagram
 - Benefits of a Digital Library
 - Creating a Diverse Reading Collection Toyota 4agz Wiring Diagram
- 10. Overcoming Reading Challenges
 - Dealing with Digital Eye Strain
 - Minimizing Distractions
 - Managing Screen Time
- 11. Cultivating a Reading Routine Toyota 4agz Wiring Diagram
 - Setting Reading Goals Toyota 4agz Wiring Diagram
 - Carving Out Dedicated Reading Time
- 12. Sourcing Reliable Information of Toyota 4agz Wiring Diagram
 - Fact-Checking eBook Content of Toyota 4agz Wiring Diagram
 - Distinguishing Credible Sources
- 13. Promoting Lifelong Learning
 - Utilizing eBooks for Skill Development
 - Exploring Educational eBooks
- 14. Embracing eBook Trends

- Integration of Multimedia Elements
- Interactive and Gamified eBooks

Toyota 4agz Wiring Diagram Introduction

Toyota 4agz Wiring Diagram Offers over 60,000 free eBooks, including many classics that are in the public domain. Open Library: Provides access to over 1 million free eBooks, including classic literature and contemporary works. Toyota 4agz Wiring Diagram Offers a vast collection of books, some of which are available for free as PDF downloads, particularly older books in the public domain. Toyota 4agz Wiring Diagram : This website hosts a vast collection of scientific articles, books, and textbooks. While it operates in a legal gray area due to copyright issues, its a popular resource for finding various publications. Internet Archive for Toyota 4agz Wiring Diagram : Has an extensive collection of digital content, including books, articles, videos, and more. It has a massive library of free downloadable books. Free-eBooks Toyota 4agz Wiring Diagram Offers a diverse range of free eBooks across various genres. Toyota 4agz Wiring Diagram Focuses mainly on educational books, textbooks, and business books. It offers free PDF downloads for educational purposes. Toyota 4agz Wiring Diagram Provides a large selection of free eBooks in different genres, which are available for download in various formats, including PDF. Finding specific Toyota 4agz Wiring Diagram, especially related to Toyota 4agz Wiring Diagram, might be challenging as theyre often artistic creations rather than practical blueprints. However, you can explore the following steps to search for or create your own Online Searches: Look for websites, forums, or blogs dedicated to Toyota 4agz Wiring Diagram, Sometimes enthusiasts share their designs or concepts in PDF format. Books and Magazines Some Toyota 4agz Wiring Diagram books or magazines might include. Look for these in online stores or libraries. Remember that while Toyota 4agz Wiring Diagram, sharing copyrighted material without permission is not legal. Always ensure youre either creating your own or obtaining them from legitimate sources that allow sharing and downloading. Library Check if your local library offers eBook lending services. Many libraries have digital catalogs where you can borrow Toyota 4agz Wiring Diagram eBooks for free, including popular titles. Online Retailers: Websites like Amazon, Google Books, or Apple Books often sell eBooks. Sometimes, authors or publishers offer promotions or free periods for certain books. Authors Website Occasionally, authors provide excerpts or short stories for free on their websites. While this might not be the Toyota 4agz Wiring Diagram full book , it can give you a taste of the authors writing style. Subscription Services Platforms like Kindle Unlimited or Scribd offer subscription-based access to a wide range of Toyota 4agz Wiring Diagram eBooks, including some popular titles.

FAQs About Toyota 4agz Wiring Diagram Books

How do I know which eBook platform is the best for me? Finding the best eBook platform depends on your reading preferences and device compatibility. Research different platforms, read user reviews, and explore their features before making a choice. Are free eBooks of good quality? Yes, many reputable platforms offer high-quality free eBooks, including classics and public domain works. However, make sure to verify the source to ensure the eBook credibility. Can I read eBooks without an eReader? Absolutely! Most eBook platforms offer web-based readers or mobile apps that allow you to read eBooks on your computer, tablet, or smartphone. How do I avoid digital eye strain while reading eBooks? To prevent digital eye strain, take regular breaks, adjust the font size and background color, and ensure proper lighting while reading eBooks. What the advantage of interactive eBooks? Interactive eBooks incorporate multimedia elements, quizzes, and activities, enhancing the reader engagement and providing a more immersive learning experience. Toyota 4agz Wiring Diagram is one of the best book in our library for free trial. We provide copy of Toyota 4agz Wiring Diagram in digital format, so the resources that you find are reliable. There are also many Ebooks of related with Toyota 4agz Wiring Diagram. Where to download Toyota 4agz Wiring Diagram online for free? Are you looking for Toyota 4agz Wiring Diagram PDF? This is definitely going to save you time and cash in something you should think about.

Find Toyota 4agz Wiring Diagram :

wiring diagram of engine control nissan maxima 1990

wiring diagram vw bora cruise control

wiring diagrams for year 2000 fiat ducato 2 8 diesel

wiring diagram of forward reverse motor

wiring diagram for 7 pole trailer plug

wiring diagram for massey ferguson 135 tractor

wiring diagram nissan a16

wiring diagram for 240sx alternator connection

wiring diagram for 6 subwoofers

wiring diagram ceiling light fitting

wiring diagrams light xenon

wiring diagram dual battery with ibs

wiring diagram series 65 smoke detector

wiring diagram boat battery switch
wiring ecu kia sephia

Toyota 4agz Wiring Diagram :

inches square thread chart free downloading - Jul 09 2022

web nov 30 2017 now is inches square thread chart free downloading below engineers black book 2018 this easy to use pocket book contains a wealth of up to date useful practical and hard to find information with 160 matt laminated greaseproof pages you ll enjoy glare free reading and durability includes data sheets formulae reference tables

inches square thread chart free downloading pdf uniport edu - May 07 2022

web dec 3 2018 inches square thread chart free downloading 1 10 downloaded from uniport edu ng on april 21 2023 by guest inches square thread chart free downloading right here we have countless ebook inches square thread chart free downloading and collections to check out we additionally find the money for variant types and as a

inches square thread chart free downloading pdf free - Sep 11 2022

web sep 14 2023 2018 this easy to use pocket book contains a wealth of up to date useful practical and hard to find information with 160 matt laminated greaseproof pages you ll enjoy glare free reading and durability includes data sheets formulae reference tables and equivalent charts new content in the 3rd edition includes

thread pitch chart all pro fasteners - Jul 21 2023

web thread pitch chart nominal size threads per inch and thread series a s a r as s as n tensile stress area sq in thread root area sq in thread stripping areas sq in per in of engagement external thread internal thread class 2a class 3a class 2b class 3b 0 80 unf 0 00180 0 00151 0 0673 0 0748 0 106 0 116

free pdf download inches square thread chart free downloading - Aug 10 2022

web this inches square thread chart free downloading pdf but stop stirring in harmful downloads rather than enjoying a fine book following a cup of coffee in the afternoon instead they juggled similar to some harmful virus inside their computer

inches square thread chart free downloading pdf uniport edu - Jan 03 2022

web feb 5 2019 inches square thread chart free downloading when somebody should go to the book stores search initiation by shop shelf by shelf it is in reality problematic this is why we offer the book compilations in this website it will no question ease you to see guide inches square thread chart free downloading as you such as

inches square thread chart free downloading copy uniport edu - Apr 06 2022

web sep 4 2020 inches square thread chart free downloading is available in our book collection an online access to it is set as public so you can download it instantly our digital library hosts in multiple locations allowing you to get the most

metric thread coarse pitch m metric thread - Jun 20 2023

web dec 20 2011 metric thread coarse fine extended thread size range online only tapping drill sizes for taps in a multilingual format for thread types m mf eg m eg mf g rp rc pt pg mj w cyl tr w tap bsw bsf ba npt nptf unc unf unef un eg unc sti eg

inches square thread chart free downloading 2023 - Feb 04 2022

web apr 9 2021 inches square thread chart free downloading if you ally craving such a referred inches square thread chart free downloading books that will allow you worth get the definitely best seller from us currently from several preferred authors

inches square thread chart free downloading pdf uniport edu - Mar 05 2022

web feb 5 2019 for inches square thread chart free downloading and numerous book collections from fictions to scientific research in any way along with them is this inches square thread chart free downloading that can be your partner

thread chart pdf pdf cutting tools machining scribd - May 19 2023

web thread chart pdf uploaded by kathirrasu copyright all rights reserved available formats download as pdf txt or read online from scribd flag for inappropriate content download now of 9 iso metric coarse thread din 13 1 nominal diameter m 1 0 1 1 1 2 1 4 1 6 1 8 2 0 2 2 2 5 3 0 3 5 4 0 4 5 5 0 6 0 7 0 8 0 9 0 10 0 11 0 12 0 14 0 16 0 18 0

guide to screw threads hague fasteners limited - Jan 15 2023

web oct 29 2016 guide to screw thread sizes click to download our fastener data sheet of screw thread sizes a single data reference pdf for fastener thread sizes pitches and cross references across unc unf un bsw bsf si iso metric along with bsp npt nps iso pipe threads american threads and ba conduit and cycle threads

threadoctor advanced thread calculator un m npt - Apr 18 2023

web the threadoctor includes 4 sub apps metric thread calculator un thread calculator npt thread calculator and bsp thread calculator united inch screw threads per asme b1 1 unc coarse pitch thread

inch metric thread chart carr lane mfg - Nov 13 2022

web understanding inch metric thread callouts metric thread callouts are fundamentally different because the thread pitch is specified instead of threads per inch or per mm the thread pitch is the distance between each thread in mm for example an m10x1 5 coarse thread has a 1 5mm pitch while an m10x1 25 fine thread has a 1 25mm pitch

thread calculator easily calculate thread dimension carr lane - Feb 16 2023

web how to calculate thread pitch dimensions follow these simple steps to use our thread calculator for precise thread dimension calculations start by selecting the thread type you wish to calculate from the dropdown menu the options available include unified metric acme buttress and other thread types

inches square thread chart free downloading pdf full pdf - Oct 12 2022

web sep 1 2023 inches square thread chart free downloading pdf pages 3 14 inches square thread chart free downloading pdf upload betty q boyle 3 14 downloaded from devy ortax org on september 1 2023 by betty q boyle learning with detailed worked examples end of chapter exercises plus supporting data and excel spreadsheet

is 14962 1 2001 iso general purpose metric screw threads - Mar 17 2023

web iso 68 1 1998 iso general purpose screw threads basic profile part 1 metric screw threads iso 261 iso 262 iso 724 998 1s0 general purpose metric screw threads general plan 998 iso general purpose metric screw threads selected sizes for screws bolts and nuts 993 iso general purpose metric screw threads basic

inch and metric thread pitch charts inch metric thread standards - Aug 22 2023

web inch and metric thread pitch charts inch metric thread standards visit our online store for product availability inch and metric thread sizes are specified differently inch thread sizes are specified by the nominal major diameter and the number of threads per inch

[ansi internal screw threads size and tolerances table chart](#) - Dec 14 2022

web ansi asme internal screw thread size chart all units are in inches unified screw threads per ansi asme b1 1 1989 r2001 r2001 nomenclature are used acceptability criteria are described in ansi asme b1 3m 1992 r2001 note this screw chart is not comprehensive of all available standard threads as provided by the standard max max

inches square thread chart free downloading pdf pdf - Jun 08 2022

web inches square thread chart free downloading pdf pdf bukuclone ortax org created date 9 2 2023 6 52 33 am

[7 minutes de sport ca c ra c bral par jour le pro pdf](#) - Mar 10 2023

web 7 minutes de sport ca c ra c bral par jour le pro pdf as recognized adventure as skillfully as experience practically lesson amusement as well as understanding can be gotten by just checking out a book 7 minutes de sport ca c ra c bral par jour le pro pdf 7 minutes de sport cérébral par jour le programme web cet ouvrage est

30 minutes de sport par jour quels bienfaits elle - Dec 07 2022

web jul 1 2022 le programme 30 minutes de sport par jour sur notre vidéo la coach marine leleu enchaîne sans discontinuer squats talons fesses genoux poitrine course sur place gainage pendant une demi

[comment faire 30 minutes de sport par jour conseils sport](#) - Jun 01 2022

web vous avez peut être investi dans du matériel cardio pour les matins d hiver ou les soirs de pluies découvrez les programmes et des séances de 30 minutes de decathlon coach avec un vélo elliptique un vélo d appartement une corde à sauter ou un home trainer

download solutions 7 minutes de sport ca c ra c bral par jour le pro - Jan 08 2023

web 7 minutes de sport ca c ra c bral par jour le pro 20 séances de sport oct 16 2020 pour se remettre en forme avant l été sports ticket apr 21 2021 sports ticket is the ultimate guide to the premier british and selected international sporting events for 2005 and plenty more besides and venue this book will make a visit to the action

15 minutes de sport par jour c est déjà bien pharmacien giphar - Nov 06 2022

web pas de temps pour le sport idéalement il faut faire 30 minutes de sport par jour d après les recommandations officielles de l oms organisation mondiale de la santé oui mais voilà entre le boulot la maison les enfants ces 30 minutes sont souvent impossibles à caser dans votre emploi du temps bonne nouvelle une étude récente

7 minutes de sport ca c ra c bral par jour le pro uniport edu - Mar 30 2022

web may 17 2023 7 minutes de sport ca c ra c bral par jour le pro 1 5 downloaded from uniport edu ng on may 17 2023 by guest 7 minutes de sport ca c ra c bral par jour le pro this is likewise one of the factors by obtaining the soft documents of this 7 minutes de sport ca c ra c bral par jour le pro by online

7 minutes de sport ca c ra c bral par jour le pro pdf - May 12 2023

web 4 7 minutes de sport ca c ra c bral par jour le pro 2020 02 16 world war and the rising popularity of television short subject films became far too expensive to produce and they had mostly disappeared from the screens by the late 1950s this encyclopedia offers comprehensive listings of american short subject films from the 1920s through

7 minutes de sport cérébral par jour hachette pratique com - Jul 14 2023

web jun 28 2017 détails cet ouvrage est un programme d entraînement cérébral complet qui vous fera travailler à raison de 7 minutes par jour toutes les zones de votre cerveau mémoire visuelle mémoire eidétique capacité de raisonnement mémoire à long terme ou mémoire immédiate chaque exercice cible plus particulièrement l une de vos

7 minutes de sport ca c ra c bral par jour le pro pdf richard - Feb 09 2023

web 7 minutes de sport ca c ra c bral par jour le pro pdf getting the books 7 minutes de sport ca c ra c bral par jour le pro pdf now is not type of inspiring means you could not abandoned going when books growth or library or borrowing from your friends to entry them this is an agreed simple means to specifically get lead by on line

7 minutes de sport ca c ra c bral par jour le pro pdf warren - Oct 05 2022

web jun 7 2023 merely said the 7 minutes de sport ca c ra c bral par jour le pro pdf is universally compatible with any devices to read decolonizing pathways towards integrative healing in social work kris clarke 2020 10 09 taking a new and innovative angle on social work this book seeks to remedy the lack of holistic perspectives

7 minutes de sport cérébral par jour le programme quotidien pour - Aug 15 2023

web jun 28 2017 le programme quotidien pour muscler vos neurones 7 minutes de sport cérébral par jour murièle bozec pearce hachette pratique des milliers de livres avec la livraison chez vous en 1 jour ou en magasin avec 5 de

7 minutes par jour de sport cérébral le bootcamp de votre - Jun 13 2023

web cet ouvrage est un programme d entraînement cérébral complet qui vous fera travailler à raison de 7 minutes par jour toutes les zones de votre cerveau mémoire visuelle mémoire eidétique capacité de raisonnement mémoire à long terme ou mémoire immédiate chaque exercice cible plus particulièrement l une de vos facultés

selon la science le fait de faire du sport plus de 15 minutes est - Feb 26 2022

web may 28 2019 3 groupes 3 programmes d exercices 3 périodes de temps pour que nous puissions nous faire une idée du temps et des efforts que l on doit consacrer au sport une équipe de chercheurs a

7 minutes de sport ca c ra c bral par jour le pro pdf 2023 - Apr 30 2022

web jun 9 2023 7 minutes de sport ca c ra c bral par jour le pro pdf this 7 minutes de sport ca c ra c bral par jour le pro pdf as one of the most working sellers here will totally be in the middle of the best options to review sport dernières actualités sportives et infos en direct 20 minutes

7 minutes de sport ca c ra c bral par jour le pro avenza - Dec 27 2021

web nov 7 2022 7 minutes de sport ca c ra c bral par jour le pro 2 5 downloaded from avenza dev avenza com on november 7 2022 by guest webster s complete dictionary of the english language revised by c a goodrich and n porter assisted by dr c a f mahn new edition of 1880 with a supplement of new words and an additional

7 minutes de sport ca c ra c bral par jour le pro pdf - Jul 02 2022

web 7 minutes de sport ca c ra c bral par jour le pro pdf their computer 7 minutes de sport ca c ra c bral par jour le pro pdf is open in our digital library an online access to it is set as public fittingly you can download it instantly our digital library saves in multiple countries allowing you to acquire the most less latency

7 minutes de sport ca c ra c bral par jour le pro pdf - Sep 04 2022

web may 22 2023 7 minutes de sport ca c ra c bral par jour le pro 3 6 downloaded from uniport edu ng on may 22 2023 by guest exercise and sports move beyond the realm of leisurely activity to a necessary component of good health this book has become an important resource for all those involved in sports medicine

7 minutes de sport ca c ra c bral par jour le pro copy - Aug 03 2022

web apr 29 2023 7 minutes de sport ca c ra c bral par jour le pro 2 5 downloaded from uniport edu ng on april 29 2023 by guest index medicus 2003 musculoskeletal and sports medicine for the primary care practitioner fourth edition richard b birrer 2016 01 06 primary care practitioners are often the first medical professionals to see patients after an

7 minutes de sport ca c ra c bral par jour le pro uniport edu - Jan 28 2022

web apr 27 2023 7 minutes de sport ca c ra c bral par jour le pro 2 4 downloaded from uniport edu ng on april 27 2023 by guest new york magazine 1980 12 29 new york magazine was born in 1968 after a run as an insert of the new york herald

tribune and quickly made a place for itself as the trusted resource for readers across the country with
[7 minutes de sport ca c ra c bral par jour le pro 2023](#) - Apr 11 2023

web 7 minutes de sport ca c ra c bral par jour le pro pisa science 2006 may 15 2021 what must we teach students to enable them to fully participate in a world community where science and technology play an increasingly significant role comprehensive thought provoking and indispensable pisa

calm the f ck down how to control what you can and accept - Feb 23 2023

dec 31 2018 3 42 8 835 ratings 811 reviews the no f cks given guide to taming anxiety and taking back control of your life from the bestselling author of the life changing magic of not
[calm the f ck down a no f cks given guide pdf](#) - Apr 15 2022

calm the f k down how to control what you can and - Jul 31 2023

calm the f ck down buy the book tame anxiety and take back control of your life with this genius cosmopolitan no f cks given guide from the bestselling author of the life

[calm the f k down a no f cks given guide](#) - Apr 27 2023

tame anxiety and take back control of your life with this genius cosmopolitan no f cks given guide from the bestselling author of the life changing magic of not giving a f ck and

[calm the f k down amazon com](#) - May 29 2023

dec 31 2018 tame anxiety and take back control of your life with this genius cosmopolitan no f cks given guide from the bestselling author of the life changing magic of not giving a

calm the f ck down how to control what you can and acc - Oct 22 2022

calm the f ck down a no f cks given guide f ck no sep 26 2022 say no without being an a hole and save yourself from burnout with pep talks and sage advice from the new york

calm the f k down a no f cks given guide amazon com tr - Sep 20 2022

calm the f k down a no f cks given guide ebook knight sarah amazon in kindle store

calm the f ck down how to control what you can and accept - Dec 24 2022

dec 31 2018 tame anxiety and take back control of your life with this genius cosmopolitan no f cks given guide from the bestselling author of the life changing magic of not giving a

[calm the f ck down how to control what you can](#) - Sep 01 2023

calm the f k down a no f cks given guide kindle edition by sarah knight author format kindle edition 4 6 3 524 ratings part of a no f cks given guide 8 books see all formats

calm the f k down journal practical ways to stop - Jul 19 2022

calm the f k down no f cks given guide free shipping no customs duty by author sarah knight

calm the f k down a no f cks given guide kindle edition - Mar 15 2022

calm the f ck down on apple books - Feb 11 2022

a no f cks given guide hachette book group - Mar 27 2023

the life changing magic of not giving a f k how to stop spending time you don t have doing things you don t want to do with people you don t like a no f cks given guide sarah knight

calm the f k down a no f cks given guide paperback - Nov 10 2021

calm the f k down no f cks given guide sarah knight - Jan 13 2022

calm the f ck down google books - Aug 20 2022

dec 31 2018 a no f cks given guide calm the f ck down how to control what you can and accept what you can t so you can stop freaking out and get on with your life sarah

calm the f ck down journal practical ways to stop - Jun 17 2022

open preview calm the f ck down quotes showing 1 2 of 2 you can t stop worrying fine worry away but make it count for something sarah knight calm the f ck down how to

calm the f ck down how to control what you can and accept - Jan 25 2023

calm the f k down a no f cks given guide knight sarah amazon com tr kitap

calm the f k down a no f cks given guide kindle edition - Nov 22 2022

jan 21 2022 new york times bestselling author and anti guru sarah knight will show you how millions have read and loved her no f cks given guides the life changing magic of

calm the f ck down quotes by sarah knight goodreads - Dec 12 2021

calm the f k down a no f cks given guide kindle edition - Jun 29 2023

dec 31 2018 overview tame anxiety and take back control of your life with this genius cosmopolitan no f cks given guide from the bestselling author of the life changing magic

calm the f ck down how to control what you can and accept - Oct 02 2023

dec 31 2018 calm the f ck down how to control what you can and accept what you can t so you can stop freaking out and get on with your life a no f cks given guide

no f cks given podcast on apple podcasts - May 17 2022

the latest no f ks given guide from new york times bestselling author of the international sensation the life changing magic of not giving a f k get your sh t together and you do