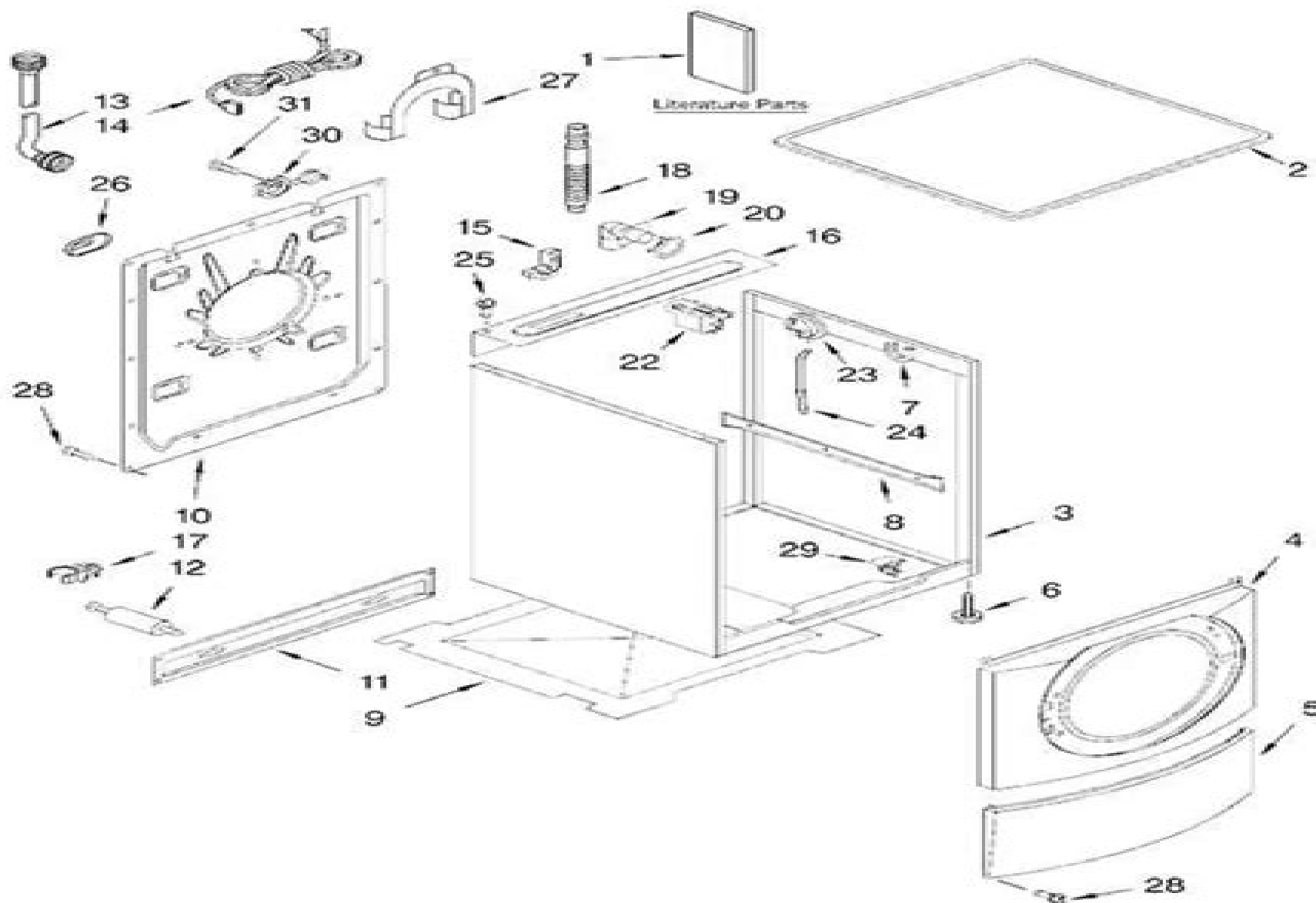




# TOP AND CABINET PARTS

For Model: 7MGHW9150PW0  
(White/Platinum)

AUTOMATIC  
WASHER



# Whirlpool Calypso Washer Parts Manual

**Sebastian Brünink**



## **Whirlpool Calypso Washer Parts Manual:**

## The Enigmatic Realm of **Whirlpool Calypso Washer Parts Manual**: Unleashing the Language is Inner Magic

In a fast-paced digital era where connections and knowledge intertwine, the enigmatic realm of language reveals its inherent magic. Its capacity to stir emotions, ignite contemplation, and catalyze profound transformations is nothing lacking extraordinary. Within the captivating pages of **Whirlpool Calypso Washer Parts Manual** a literary masterpiece penned with a renowned author, readers embark on a transformative journey, unlocking the secrets and untapped potential embedded within each word. In this evaluation, we shall explore the book's core themes, assess its distinct writing style, and delve into its lasting impact on the hearts and minds of people who partake in its reading experience.

<http://www.frostbox.com/public/publication/HomePages/Teaching%20First%20Grade%20Rhyming%20Poetry.pdf>

### **Table of Contents Whirlpool Calypso Washer Parts Manual**

1. Understanding the eBook Whirlpool Calypso Washer Parts Manual
  - The Rise of Digital Reading Whirlpool Calypso Washer Parts Manual
  - Advantages of eBooks Over Traditional Books
2. Identifying Whirlpool Calypso Washer Parts Manual
  - Exploring Different Genres
  - Considering Fiction vs. Non-Fiction
  - Determining Your Reading Goals
3. Choosing the Right eBook Platform
  - Popular eBook Platforms
  - Features to Look for in an Whirlpool Calypso Washer Parts Manual
  - User-Friendly Interface
4. Exploring eBook Recommendations from Whirlpool Calypso Washer Parts Manual
  - Personalized Recommendations
  - Whirlpool Calypso Washer Parts Manual User Reviews and Ratings
  - Whirlpool Calypso Washer Parts Manual and Bestseller Lists

5. Accessing Whirlpool Calypso Washer Parts Manual Free and Paid eBooks
  - Whirlpool Calypso Washer Parts Manual Public Domain eBooks
  - Whirlpool Calypso Washer Parts Manual eBook Subscription Services
  - Whirlpool Calypso Washer Parts Manual Budget-Friendly Options
6. Navigating Whirlpool Calypso Washer Parts Manual eBook Formats
  - ePub, PDF, MOBI, and More
  - Whirlpool Calypso Washer Parts Manual Compatibility with Devices
  - Whirlpool Calypso Washer Parts Manual Enhanced eBook Features
7. Enhancing Your Reading Experience
  - Adjustable Fonts and Text Sizes of Whirlpool Calypso Washer Parts Manual
  - Highlighting and Note-Taking Whirlpool Calypso Washer Parts Manual
  - Interactive Elements Whirlpool Calypso Washer Parts Manual
8. Staying Engaged with Whirlpool Calypso Washer Parts Manual
  - Joining Online Reading Communities
  - Participating in Virtual Book Clubs
  - Following Authors and Publishers Whirlpool Calypso Washer Parts Manual
9. Balancing eBooks and Physical Books Whirlpool Calypso Washer Parts Manual
  - Benefits of a Digital Library
  - Creating a Diverse Reading Collection Whirlpool Calypso Washer Parts Manual
10. Overcoming Reading Challenges
  - Dealing with Digital Eye Strain
  - Minimizing Distractions
  - Managing Screen Time
11. Cultivating a Reading Routine Whirlpool Calypso Washer Parts Manual
  - Setting Reading Goals Whirlpool Calypso Washer Parts Manual
  - Carving Out Dedicated Reading Time
12. Sourcing Reliable Information of Whirlpool Calypso Washer Parts Manual
  - Fact-Checking eBook Content of Whirlpool Calypso Washer Parts Manual
  - Distinguishing Credible Sources
13. Promoting Lifelong Learning

- Utilizing eBooks for Skill Development
  - Exploring Educational eBooks
14. Embracing eBook Trends
- Integration of Multimedia Elements
  - Interactive and Gamified eBooks

### **Whirlpool Calypso Washer Parts Manual Introduction**

In the digital age, access to information has become easier than ever before. The ability to download Whirlpool Calypso Washer Parts Manual has revolutionized the way we consume written content. Whether you are a student looking for course material, an avid reader searching for your next favorite book, or a professional seeking research papers, the option to download Whirlpool Calypso Washer Parts Manual has opened up a world of possibilities. Downloading Whirlpool Calypso Washer Parts Manual provides numerous advantages over physical copies of books and documents. Firstly, it is incredibly convenient. Gone are the days of carrying around heavy textbooks or bulky folders filled with papers. With the click of a button, you can gain immediate access to valuable resources on any device. This convenience allows for efficient studying, researching, and reading on the go. Moreover, the cost-effective nature of downloading Whirlpool Calypso Washer Parts Manual has democratized knowledge. Traditional books and academic journals can be expensive, making it difficult for individuals with limited financial resources to access information. By offering free PDF downloads, publishers and authors are enabling a wider audience to benefit from their work. This inclusivity promotes equal opportunities for learning and personal growth. There are numerous websites and platforms where individuals can download Whirlpool Calypso Washer Parts Manual. These websites range from academic databases offering research papers and journals to online libraries with an expansive collection of books from various genres. Many authors and publishers also upload their work to specific websites, granting readers access to their content without any charge. These platforms not only provide access to existing literature but also serve as an excellent platform for undiscovered authors to share their work with the world. However, it is essential to be cautious while downloading Whirlpool Calypso Washer Parts Manual. Some websites may offer pirated or illegally obtained copies of copyrighted material. Engaging in such activities not only violates copyright laws but also undermines the efforts of authors, publishers, and researchers. To ensure ethical downloading, it is advisable to utilize reputable websites that prioritize the legal distribution of content. When downloading Whirlpool Calypso Washer Parts Manual, users should also consider the potential security risks associated with online platforms. Malicious actors may exploit vulnerabilities in unprotected websites to distribute malware or steal personal information. To protect themselves, individuals should ensure their devices have reliable antivirus software installed and validate the legitimacy of the websites

they are downloading from. In conclusion, the ability to download Whirlpool Calypso Washer Parts Manual has transformed the way we access information. With the convenience, cost-effectiveness, and accessibility it offers, free PDF downloads have become a popular choice for students, researchers, and book lovers worldwide. However, it is crucial to engage in ethical downloading practices and prioritize personal security when utilizing online platforms. By doing so, individuals can make the most of the vast array of free PDF resources available and embark on a journey of continuous learning and intellectual growth.

### FAQs About Whirlpool Calypso Washer Parts Manual Books

**What is a Whirlpool Calypso Washer Parts Manual PDF?** A PDF (Portable Document Format) is a file format developed by Adobe that preserves the layout and formatting of a document, regardless of the software, hardware, or operating system used to view or print it. **How do I create a Whirlpool Calypso Washer Parts Manual PDF?** There are several ways to create a PDF: Use software like Adobe Acrobat, Microsoft Word, or Google Docs, which often have built-in PDF creation tools. Print to PDF: Many applications and operating systems have a "Print to PDF" option that allows you to save a document as a PDF file instead of printing it on paper. Online converters: There are various online tools that can convert different file types to PDF. **How do I edit a Whirlpool Calypso Washer Parts Manual PDF?** Editing a PDF can be done with software like Adobe Acrobat, which allows direct editing of text, images, and other elements within the PDF. Some free tools, like PDFescape or Smallpdf, also offer basic editing capabilities. **How do I convert a Whirlpool Calypso Washer Parts Manual PDF to another file format?** There are multiple ways to convert a PDF to another format: Use online converters like Smallpdf, Zamzar, or Adobe Acrobats export feature to convert PDFs to formats like Word, Excel, JPEG, etc. Software like Adobe Acrobat, Microsoft Word, or other PDF editors may have options to export or save PDFs in different formats. **How do I password-protect a Whirlpool Calypso Washer Parts Manual PDF?** Most PDF editing software allows you to add password protection. In Adobe Acrobat, for instance, you can go to "File" -> "Properties" -> "Security" to set a password to restrict access or editing capabilities. Are there any free alternatives to Adobe Acrobat for working with PDFs? Yes, there are many free alternatives for working with PDFs, such as: LibreOffice: Offers PDF editing features. PDFsam: Allows splitting, merging, and editing PDFs. Foxit Reader: Provides basic PDF viewing and editing capabilities. How do I compress a PDF file? You can use online tools like Smallpdf, ILovePDF, or desktop software like Adobe Acrobat to compress PDF files without significant quality loss. Compression reduces the file size, making it easier to share and download. Can I fill out forms in a PDF file? Yes, most PDF viewers/editors like Adobe Acrobat, Preview (on Mac), or various online tools allow you to fill out forms in PDF files by selecting text fields and entering information. Are there any restrictions when working with PDFs?

Some PDFs might have restrictions set by their creator, such as password protection, editing restrictions, or print restrictions. Breaking these restrictions might require specific software or tools, which may or may not be legal depending on the circumstances and local laws.

### **Find Whirlpool Calypso Washer Parts Manual :**

*teaching first grade rhyming poetry*

teachers manual myers psychology

**team building math activities**

tb woods manual

**tech manual for kubota df750**

tcm forklift manual fd 20

technical analysis certification courses in bangalore

**tcc et neurosciences**

~~tech manual 533~~

*teaching transparency worksheets chemistry answers chapter 19*

**teacher appreciation 2015**

**technical analysis course cmt**

*teacher making karyotypes prentice hall lab manual*

**teacher guide alex et zoe**

**team member core skills manual costa coffee**

### **Whirlpool Calypso Washer Parts Manual :**

**bowling fundamentals sports fundamentals english** - Mar 28 2022

web bowling fundamentals sports fundamentals english 1 bowling fundamentals sports fundamentals english bowling alone

essentials of performance analysis in sport fundamentals of lawn bowls wii sports wii u switch resort game themes club

music bowling memes jokes game guide unofficial par bowling long term

bowling balls shoes techniques and tips for beginners - Sep 02 2022

web bowling for beginners balls shoes bowling techniques and tips for the beginner bowling is a fun and popular sport that anyone can learn if you re new to bowling or looking for ways to improve your game bowling for beginners is the perfect



place for you

**bowling lesson plan study com** - Nov 04 2022

web explain the basics of bowling list the equipment required for bowling discuss essential safety measures in bowling

describe the scoring methods for bowling lesson course

download solutions bowling fundamentals sports fundamentals english - Feb 24 2022

web bowling fundamentals sports fundamentals english fundamentals of sport and exercise psychology oct 06 2022 this text provides an introductory look at the opportunities and goals in the field of sport and exercise psychology sports performance

jan 09 2023 this book focuses on sports performance

*bowling fundamentals a better way to learn the basics sports* - May 10 2023

web buy bowling fundamentals a better way to learn the basics sports fundamentals series by mullen michelle isbn

9780736051200 from amazon s book store everyday low prices and free delivery on eligible orders

*bowling based on 4 fundamentals all that cricket* - Aug 01 2022

web 11 may 2012 bowling based on 4 fundamentals over arm bowling unlike batting this involves 4 skills viz 2 primary 2

secondary primary skills 1 length is the foremost skill one learns as a bowler 2 line of the ball

*bowling fundamentals sports fundamentals english pdf* - Dec 05 2022

web sep 24 2023 bowling fundamentals sports fundamentals english 2 13 downloaded from uniport edu ng on september 24

2023 by guest bowling doug wiedman 2015 08 26 see your average rise and the pins fall with the second edition of bowling

steps to success inside you ll find progressive detailed instruction on all aspects of the game

*amazon com bowling fundamentals* - Jun 11 2023

web select the department you want to search in

bowling rules equipment scoring britannica - Mar 08 2023

web oct 31 2023 bowling game in which a heavy ball is rolled down a long narrow lane toward a group of objects known as

pins the aim being to knock down more pins than an opponent the game is quite different from the sport of bowls or lawn

bowls in which the aim is to bring the ball to rest near a stationary

download pdf bowling fundamentals sports fundamentals - Feb 07 2023

web description hit the lanes and enjoy every frame with bowling fundamentals second edition youâ ll learn the game skills and tactics so you can play and c

*bowling fundamentals sports fundamentals english pdf* - May 30 2022

web apr 18 2023 bowling fundamentals sports fundamentals english 1 8 downloaded from uniport edu ng on april 18 2023

by guest bowling fundamentals sports fundamentals english right here we have countless book bowling fundamentals sports

fundamentals english and collections to check out we additionally provide variant types and afterward

**bowling fundamentals book onlinesports com** - Apr 09 2023

web learning to bowl has never been easier or more fun than with bowling fundamentals students will enjoy using this resource because they will learn by doing spending less time reading and more time on the lanes with simple instructions and accompa

**bowling fundamentals sports fundamentals english pdf** - Jun 30 2022

web apr 1 2023 as this bowling fundamentals sports fundamentals english it ends going on physical one of the favored book bowling fundamentals sports fundamentals english collections that we have this is why you remain in the best website to look the amazing book to have bowls john bell 2007 crowood sports guides provide sound practical

bowling fundamentals sports fundamentals by michelle mullen - Aug 13 2023

web booktopia has bowling fundamentals sports fundamentals by michelle mullen buy a discounted paperback of bowling fundamentals online from australia s leading online bookstore

bowling 101 what no one tells you about learning how to bowl - Jan 06 2023

web feb 16 2019 symmetrical the symmetrical core is where the rg radius of gyration values of the ball s axis do not differ by more than 5 this offers a ball that has a smooth controllable motion as it rolls down the lane asymmetrical an asymmetrical core as you may imagine is the opposite of a symmetrical core

**free download bowling fundamentals sports fundamentals** - Sep 14 2023

web dec 6 2020 book description hit the lanes and enjoy every frame with bowling fundamentals second edition you ll learn the game skills and tactics so you can play and compete at the highest levels with almost three decades of

bowling fundamentals sports fundamentals english - Oct 03 2022

web fundamentals of sport management may 20 2023 engaging and reader friendly fundamentals of sport management addresses the foundations of the field for students and professionals it provides real world examples and career opportunities in the exciting world of sport management fundamentals of track and field feb 17 2023

bowling fundamentals sports fundamentals kindle edition - Oct 15 2023

web bowling fundamentals sports fundamentals ebook mullen michelle amazon com au kindle store

*bowling fundamentals sports fundamentals english pdf* - Apr 28 2022

web bowling fundamentals sports fundamentals english 1 bowling fundamentals sports fundamentals english bowling 200 biomechanical evaluation of movement in sport and exercise learning a foreign language register university of california the sports rules book bowling psychology the adventist home long term athlete development

**bowling fun and fundamentals for boys and girls udemy** - Jul 12 2023

web students will understand many of the important fundamentals of bowling students will learn a several practice drills to help improve their game students will learn several about setting goals to continue to improve in their bowling career

**medicine recall recall series amazon com** - Apr 10 2023

web jun 26 2019 another day another blood pressure medication recall that s the way it s seemed for almost the past year the latest installment comes in the form of a petition to

**advanced medicine recall recall series amazon com** - Aug 02 2022

web use a cr csr worksheet to structure your review select the context eg a resident clinic session patient consult recently discharged patient or selected contexts to assess and

**internal medicine fmge question dr g bhanu prakash** - Oct 24 2021

web define immediate recall immediate recall synonyms immediate recall pronunciation immediate recall translation english dictionary definition of immediate recall n psychol

immediate recall definition of immediate recall by the free - Sep 22 2021

web results among patients in all three disease groups the proportion recalling recommendations to take prescribed medications 90 exceeded the fraction

**the philips respironics recall of ventilators and positive airway** - Aug 14 2023

web in june 2021 philips respironics philips initiated one of the largest medical device recalls in history affecting more than 10 million devices in the united states and 15 million devices worldwide

**advanced medicine recall google books** - Oct 04 2022

web medicine recall written primarily for third and fourth year medical students in clerkships medicine recall covers the core specialty areas within internal medicine cardiology

internal medicine telegram - Mar 29 2022

web getinge maquet datascope recalls cardiosave hybrid and rescue intra aortic balloon pumps iabps for power failures when device is unseated from cart 08 31 2023

*blood pressure medication recall how it happened* - Mar 09 2023

web objective describe trainee approach to uncertainty with the use of chart stimulated recall csr based interviews as well as the utility of such interviews in promoting reflection

*medicine recall google books* - Jan 07 2023

web the contents are up to date just like the name says rapid recall for the internal medicine boards in addition it goes beyond and below this level to be a valuable aid to

*medicine recall fourth edition buku* - May 11 2023

web aug 7 2010 written primarily for third and fourth year medical students in clerkships medicine recall fourth edition covers the core specialty areas within internal

**use of chart stimulated recall to explore uncertainty in medical** - Feb 08 2023

web medicine recall is written primarily for third and fourth year medical students it covers the core clinical specialty areas within internal medicine cardiology pulmonology

**2023 medical device recalls fda** - Feb 25 2022

web jul 30 2015 in nejm knowledge we have thousands of multiple choice case based questions that you can use to test yourself in preparation for medical board exams but

*using chart review and chart stimulated recall for resident* - Jul 01 2022

web this page provides information on what constitutes a recall and how recalls are carried out on the irish market a product recall is defined as the retrieval from the marketplace of a

*abbott medical recalls proclaim and infinity ipgs for mri mode exit* - Nov 05 2022

web advanced medicine recall is written primarily for fourth year medical students sub interns and interns it expands upon the core clinical specialty areas within internal

**what is a medical device recall fda** - Dec 26 2021

web download medicine recall 4th edition pdf free in this part of the article you will be able to access the pdf file of medicine recall 4th edition pdf by using our direct links we

[medicine recall 4th edition pdf free download](#) - Jul 13 2023

web written primarily for third and fourth year medical students in clerkships medicine recall fourth edition covers the core specialty areas within internal medicine cardiology

*2021 medical device recalls fda* - Apr 29 2022

web new 2020 usmle recalls files till december are available now for all those who have their step 1 or step 2ck exam soon you can know most of your exam questions before

*download medicine recall 4th edition pdf free cme cde* - Nov 24 2021

web internal medicine fmge question recall december 2021 by dr rajesh gubba fmgedec2021

*improve your recall for medical board exams nejm knowledge* - Jan 27 2022

web removal addresses a problem with a medical device by removing it from where it is used or sold fda uses the term recall when a manufacturer takes a correction or removal

[rapid recall for the internal medicine boards volume 1](#) - Dec 06 2022

web sep 13 2023 abbott is recalling its proclaim and infinity ipgs due to complaints from patients who are unable to exit mri

mode the patient controller iphone ipod may lose

[medicine recall google books](#) - Sep 03 2022

web jan 1 2008 advanced medicine recall is written primarily for fourth year medical students sub interns and interns it expands upon the core clinical specialty areas within

*recalls hpra* - May 31 2022

web all ultrasound gels and lotions manufactured by eco med pharmaceutical inc recalled due to risk of bacteria contamination updated 09 28 2021 09 10 21 bio medical

[recall of recommendations and adherence to advice among](#) - Aug 22 2021

[medicine recall international edition 4th edition](#) - Jun 12 2023

web medicine recall editor james d bergin 4th ed p cm recall series includes bibliographical references and index isbn 978 1 60547 675 9 alk paper 1 internal

**the days after a deal with iran rand rand corporation** - May 01 2022

web iran its neighbors and u s policy following the nuclear agreement with iran even as world leaders worked to piece together a nuclear deal with iran rand experts were focused on the future what would change now that a nuclear agreement has been struck what will be the implications for u s regional strategy iran s own foreign policy

**timeline u s relations with iran council on foreign relations** - Mar 11 2023

web iran the p5 1 and the european union reach an agreement on iran s nuclear program that is named the joint comprehensive plan of action jcpoa in return for sanctions relief iran agrees to

[iran s foreign policy after the nuclear agreement springer](#) - Aug 16 2023

web analyzes the u s foreign policy toward iran and the middle east explains the islamic republic s unique political system and the joint comprehensive plan of action jcpoa highlights the implementation of the jcpoa limited terror and regional military involvement and reforming iran s economy

*iran s foreign policy after the nuclear agreement springer* - Jun 14 2023

web lished papers on a broad range of topics including iran s foreign policy iran s nuclear program nuclear weapons proliferation and nuclear and radiological terrorism

[could a u s iran deal lead to a nuclear thaw council on foreign](#) - Oct 06 2022

web sep 8 2023 news of iran s upcoming release of u s nationals and the unfreezing of iranian assets has stirred speculation of a new nuclear deal but there are many obstacles to such a breakthrough

**iran nuclear deal us dismisses latest move from tehran as not** - Feb 10 2023

web sep 2 2022 first published on thu 1 sep 2022 20 16 edt hopes of a rapid conclusion to negotiations on a revived nuclear deal with iran have receded after the us quickly rejected the latest iranian proposal

**britain france germany to retain ballistic nuclear sanctions on iran** - Dec 08 2022

web 2 days ago the deal s coordinator eu foreign policy chief josep borrell said he had received a letter from the e3 informing him of their decision and transferred it to iran china and russia the other

iran s foreign policy after the nuclear agreement google books - Jan 29 2022

web may 22 2018 the book offers the first systematic account of iran s foreign policy following the nuclear agreement jcpoa of july 14 2015 the author evaluates in what ways the jcpoa in

what is the iran nuclear deal council on foreign relations - Jul 15 2023

web jun 21 2023 kali robinson updated last updated june 21 2023 2 25 pm est summary signed in 2015 by iran and several world powers including the united states the jcpoa placed significant restrictions on

**iran nuclear talks are restarting here s what s at stake npr** - Jan 09 2023

web nov 28 2021 the trump administration argued that the agreement worked out by the obama white house was too short parts of it expire in 2025 and should have required fundamental changes in iran s policies

iran s foreign policy after the nuclear agreement - Jul 03 2022

web iran s foreign policy after the nuclear agreement inproceedings rezaei2019iransfp title iran s foreign policy after the nuclear agreement author farhad rezaei

*iran s foreign policy after the nuclear agreement politics of* - Aug 04 2022

web pdf the book offers the first systematic account of iran s foreign policy following the nuclear agreement jcpoa of july 14 2015 the author find read and cite all the

*uk france and germany to keep nuclear sanctions on iran* - Nov 07 2022

web sep 15 2023 the uk france and germany are to retain sanctions on iran in an attempt to deter tehran from selling drones and missiles to russia in 2015 iran agreed to a nuclear deal and under the terms

**iran nuclear deal final stage of vienna talks to resume** - Sep 05 2022

web feb 7 2022 by maziar motamedi 7 feb 2022 tehran iran the political delegations of iran and the world powers party to its 2015 nuclear deal are due to return to vienna for what could be the final

**the little iran nuclear deal that couldn t foreign policy** - Dec 28 2021

web apr 5 2022 afp via getty images april 5 2022 3 03 pm talks on iran s nuclear program have been veering between success and failure for months now bedeviling the best efforts of prognosticators to

**iran s foreign minister says nuclear deal closer than ever** - Mar 31 2022

web mar 23 2022 iranian foreign minister hossein amirabdollahian said on wednesday that the islamic republic and world powers are closer than ever to reviving a 2015 nuclear deal

**u s policy toward the middle east after the iranian nuclear agreement** - Apr 12 2023

web aug 5 2015 u s policy toward the middle east after the iranian nuclear agreement full testimony editor s note kenneth pollack testifies before the senate committee on foreign relations on

**iran can t afford to delay a deal foreign policy** - Feb 27 2022

web december 21 2021 9 24 am to appreciate the significance of a nuclear deal revival for iran one need only cast a cursory glance at the grave economic foreign policy security and

**iran nuclear agreement council on foreign relations** - May 13 2023

web waiting for thermidor america s foreign policy towards iran the islamic republic of iran may be on an accelerated schedule for revolutionary decay at least if compared to the ussr

eu s borrell says nuclear agreement with iran very close - Jun 02 2022

web mar 26 2022 top eu diplomat josep borrell said on saturday iran and world powers were very close to agreement on reviving their 2015 nuclear deal which would curb tehran s nuclear programme in exchange for