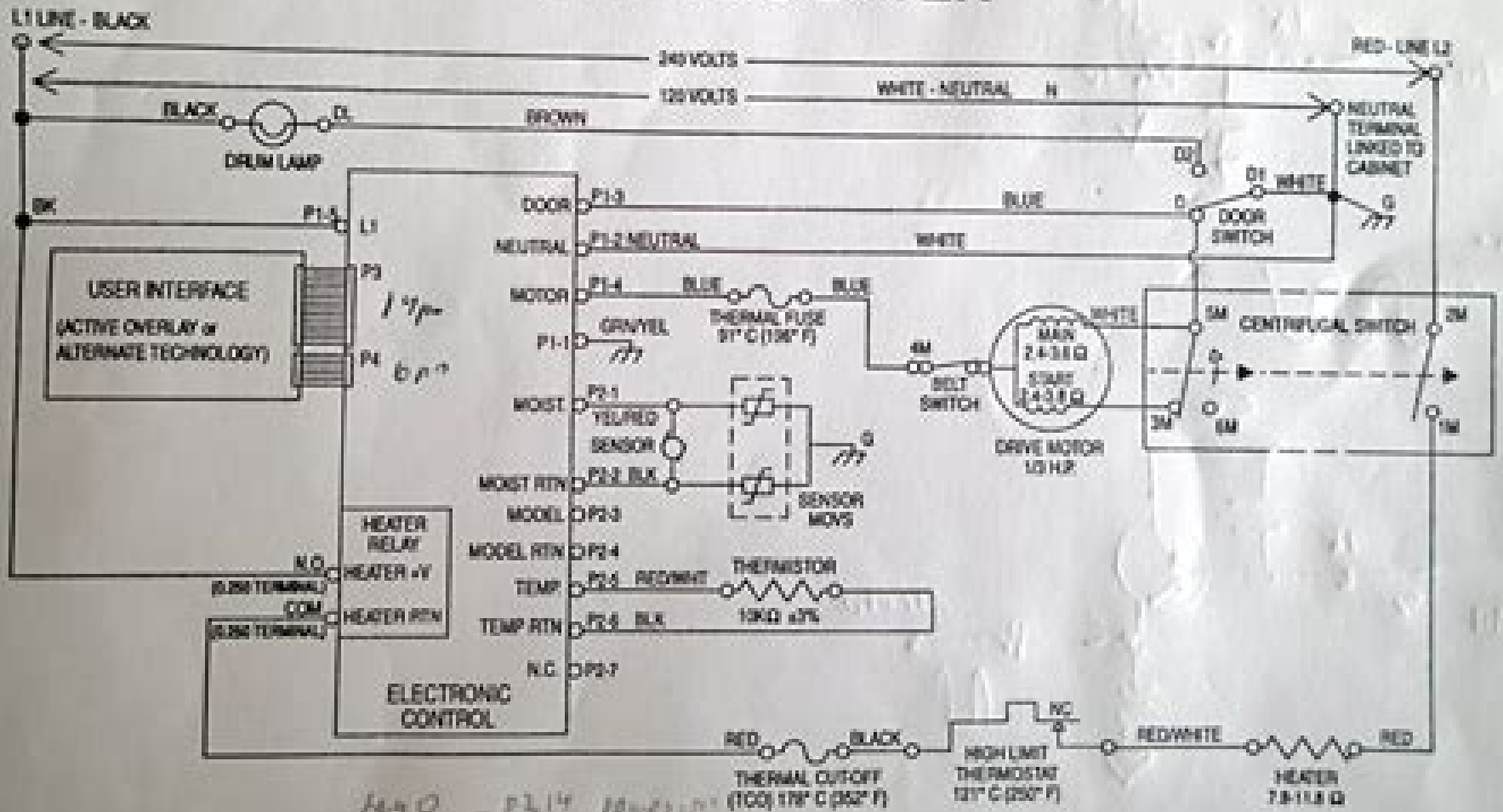


WIRING DIAGRAMS

ELECTRIC DRYER



Whirlpool Dryer Wiring Diagram

W. J. Haynie



Whirlpool Dryer Wiring Diagram:

Cheap and Easy! Whirlpool Dryer Repair, 2000 Edition Douglas Emley,1999-11 **Appliance Service Handbook**
George Meyerink,1988 This book provides a basic electromechanical background as well as guidance in human relations and ethics Covers tools of the trade electricity and electronics and safety Provides full chapter coverage of a wide range of appliances Servicemen and technicians working with appliances How to Repair Washing Machines, Clothes Dryers, Dishwashers, Refrigerators, Vacuum Cleaners, Air Conditioners, Mixers, Electric Ranges, and Other Appliances Robert Edward Hertzberg,1962 *Appliance Repair* Dennis Caprio,1980 *Films and Other Materials for Projection* Library of Congress,1973 Popular Mechanics ,1992-10 Popular Mechanics inspires instructs and influences readers to help them master the modern world Whether it s practical DIY home improvement tips gadgets and digital technology information on the newest cars or the latest breakthroughs in science PM is the ultimate guide to our high tech lifestyle **Using Your Meter** Alvis J. Evans,1985 This book is about measuring electrical quantities voltage current and resistance with meters By making such measurements we begin to understand the effects of electricity Effects which many times we can neither see nor feel Using Your Meter shows you how It helps you understand how meters work and how they can be used to make basic electrical measurements in the home in the workshop at the office on the job It has easy to follow instructions clearly illustrated examples easy to read text easy to understand applications The basic concepts of meters both analog and digital circuit fundamentals measurement techniques and meter measurement examples are presented in six chapters Back cover
Troubleshooting and Repairing Major Appliances Eric Kleinert,2012-09-26 Diagnose and repair home appliances and air conditioners using the latest techniques The book has it all written by a pro with 40 years of hands on repair and teaching experience this book is like brain candy GeekDad Wired com Fully updated for current technologies and packed with hundreds of photos and diagrams this do it yourself guide shows you how to safely install operate maintain and fix gas and electric appliances of all types Troubleshooting and Repairing Major Appliances Third Edition provides easy to follow procedures for using test meters replacing parts reading circuit diagrams interpreting fault and error codes and diagnosing problems Featuring a new chapter on becoming a service technician this practical money saving resource is ideal for homeowners and professionals alike Covers all major appliances Automatic dishwashers Garbage disposers Electric water heaters Gas water heaters Top load automatic washers Front load automatic washers Automatic electric dryers Automatic gas dryers Electric ranges cooktops and ovens Gas ranges cooktops and ovens Microwave ovens Refrigerators Freezers Automatic ice makers Residential under the counter ice cube makers Room air conditioners Dehumidifiers **Popular Science** ,1972-08 Popular Science gives our readers the information and tools to improve their technology and their world The core belief that Popular Science and our readers share The future is going to be better and science and technology are the driving forces that will help make it better *New Fix-it-yourself Manual* Reader's Digest Association,2009-06-11 A

troubleshooting chart and gorgeous clear diagrams will explain not only how to fix almost any household problem but also gives the level of technical skill required to finish the job as well any special tools required to do so *Popular Mechanics*, 1979-08 *Popular Mechanics* inspires instructs and influences readers to help them master the modern world Whether it s practical DIY home improvement tips gadgets and digital technology information on the newest cars or the latest breakthroughs in science PM is the ultimate guide to our high tech lifestyle *Popular Mechanics*, 1992 **Electricity and Electronics Today** W. J. Haynie, 1988 A basic textbook survey of electricity and electronics covering such topics as current resistance control devices systems and various applications Federal Supplement, 1978 **Popular Science**, 1969-02 *Popular Science* gives our readers the information and tools to improve their technology and their world The core belief that *Popular Science* and our readers share The future is going to be better and science and technology are the driving forces that will help make it better Quick, Easy and Painless Repair Anyone Can Master Douglas Emley, 1994-02 Provides step by step instruction to fixing the most common problems of clothes drying machines *Dishwasher Repair* Douglas Emley, 2005-12-03 How you can fix the most common problems with the most common dishwashers including Whirlpool Kenmore GE Hotpoint JCPenney Maytag Frigidaire Norge Gibson Kelvinator Westinghouse Montgomery Ward Signature Thermadore Waste King and many many more Cover **Sci-tech Book Profiles**, 1965 Includes title page table of contents list of contributors preface and all indexes of each book *Popular Mechanics*, 1967-11 *Popular Mechanics* inspires instructs and influences readers to help them master the modern world Whether it s practical DIY home improvement tips gadgets and digital technology information on the newest cars or the latest breakthroughs in science PM is the ultimate guide to our high tech lifestyle Popular Science, 2002-12 *Popular Science* gives our readers the information and tools to improve their technology and their world The core belief that *Popular Science* and our readers share The future is going to be better and science and technology are the driving forces that will help make it better

Uncover the mysteries within is enigmatic creation, **Whirlpool Dryer Wiring Diagram** . This downloadable ebook, shrouded in suspense, is available in a PDF format (Download in PDF: *). Dive into a world of uncertainty and anticipation. Download now to unravel the secrets hidden within the pages.

http://www.frostbox.com/book/publication/Documents/Vocabulary_Workshop_Answers_Level_B_Unit_7.pdf

Table of Contents Whirlpool Dryer Wiring Diagram

1. Understanding the eBook Whirlpool Dryer Wiring Diagram
 - The Rise of Digital Reading Whirlpool Dryer Wiring Diagram
 - Advantages of eBooks Over Traditional Books
2. Identifying Whirlpool Dryer Wiring Diagram
 - Exploring Different Genres
 - Considering Fiction vs. Non-Fiction
 - Determining Your Reading Goals
3. Choosing the Right eBook Platform
 - Popular eBook Platforms
 - Features to Look for in an Whirlpool Dryer Wiring Diagram
 - User-Friendly Interface
4. Exploring eBook Recommendations from Whirlpool Dryer Wiring Diagram
 - Personalized Recommendations
 - Whirlpool Dryer Wiring Diagram User Reviews and Ratings
 - Whirlpool Dryer Wiring Diagram and Bestseller Lists
5. Accessing Whirlpool Dryer Wiring Diagram Free and Paid eBooks
 - Whirlpool Dryer Wiring Diagram Public Domain eBooks
 - Whirlpool Dryer Wiring Diagram eBook Subscription Services
 - Whirlpool Dryer Wiring Diagram Budget-Friendly Options
6. Navigating Whirlpool Dryer Wiring Diagram eBook Formats

- ePub, PDF, MOBI, and More
- Whirlpool Dryer Wiring Diagram Compatibility with Devices
- Whirlpool Dryer Wiring Diagram Enhanced eBook Features
- 7. Enhancing Your Reading Experience
 - Adjustable Fonts and Text Sizes of Whirlpool Dryer Wiring Diagram
 - Highlighting and Note-Taking Whirlpool Dryer Wiring Diagram
 - Interactive Elements Whirlpool Dryer Wiring Diagram
- 8. Staying Engaged with Whirlpool Dryer Wiring Diagram
 - Joining Online Reading Communities
 - Participating in Virtual Book Clubs
 - Following Authors and Publishers Whirlpool Dryer Wiring Diagram
- 9. Balancing eBooks and Physical Books Whirlpool Dryer Wiring Diagram
 - Benefits of a Digital Library
 - Creating a Diverse Reading Collection Whirlpool Dryer Wiring Diagram
- 10. Overcoming Reading Challenges
 - Dealing with Digital Eye Strain
 - Minimizing Distractions
 - Managing Screen Time
- 11. Cultivating a Reading Routine Whirlpool Dryer Wiring Diagram
 - Setting Reading Goals Whirlpool Dryer Wiring Diagram
 - Carving Out Dedicated Reading Time
- 12. Sourcing Reliable Information of Whirlpool Dryer Wiring Diagram
 - Fact-Checking eBook Content of Whirlpool Dryer Wiring Diagram
 - Distinguishing Credible Sources
- 13. Promoting Lifelong Learning
 - Utilizing eBooks for Skill Development
 - Exploring Educational eBooks
- 14. Embracing eBook Trends
 - Integration of Multimedia Elements
 - Interactive and Gamified eBooks

Whirlpool Dryer Wiring Diagram Introduction

Whirlpool Dryer Wiring Diagram Offers over 60,000 free eBooks, including many classics that are in the public domain. Open Library: Provides access to over 1 million free eBooks, including classic literature and contemporary works. Whirlpool Dryer Wiring Diagram Offers a vast collection of books, some of which are available for free as PDF downloads, particularly older books in the public domain. Whirlpool Dryer Wiring Diagram : This website hosts a vast collection of scientific articles, books, and textbooks. While it operates in a legal gray area due to copyright issues, its a popular resource for finding various publications. Internet Archive for Whirlpool Dryer Wiring Diagram : Has an extensive collection of digital content, including books, articles, videos, and more. It has a massive library of free downloadable books. Free-eBooks Whirlpool Dryer Wiring Diagram Offers a diverse range of free eBooks across various genres. Whirlpool Dryer Wiring Diagram Focuses mainly on educational books, textbooks, and business books. It offers free PDF downloads for educational purposes. Whirlpool Dryer Wiring Diagram Provides a large selection of free eBooks in different genres, which are available for download in various formats, including PDF. Finding specific Whirlpool Dryer Wiring Diagram, especially related to Whirlpool Dryer Wiring Diagram, might be challenging as theyre often artistic creations rather than practical blueprints. However, you can explore the following steps to search for or create your own Online Searches: Look for websites, forums, or blogs dedicated to Whirlpool Dryer Wiring Diagram, Sometimes enthusiasts share their designs or concepts in PDF format. Books and Magazines Some Whirlpool Dryer Wiring Diagram books or magazines might include. Look for these in online stores or libraries. Remember that while Whirlpool Dryer Wiring Diagram, sharing copyrighted material without permission is not legal. Always ensure youre either creating your own or obtaining them from legitimate sources that allow sharing and downloading. Library Check if your local library offers eBook lending services. Many libraries have digital catalogs where you can borrow Whirlpool Dryer Wiring Diagram eBooks for free, including popular titles. Online Retailers: Websites like Amazon, Google Books, or Apple Books often sell eBooks. Sometimes, authors or publishers offer promotions or free periods for certain books. Authors Website Occasionally, authors provide excerpts or short stories for free on their websites. While this might not be the Whirlpool Dryer Wiring Diagram full book , it can give you a taste of the authors writing style. Subscription Services Platforms like Kindle Unlimited or Scribd offer subscription-based access to a wide range of Whirlpool Dryer Wiring Diagram eBooks, including some popular titles.

FAQs About Whirlpool Dryer Wiring Diagram Books

What is a Whirlpool Dryer Wiring Diagram PDF? A PDF (Portable Document Format) is a file format developed by Adobe that preserves the layout and formatting of a document, regardless of the software, hardware, or operating system used to

view or print it. **How do I create a Whirlpool Dryer Wiring Diagram PDF?** There are several ways to create a PDF: Use software like Adobe Acrobat, Microsoft Word, or Google Docs, which often have built-in PDF creation tools. Print to PDF: Many applications and operating systems have a "Print to PDF" option that allows you to save a document as a PDF file instead of printing it on paper. Online converters: There are various online tools that can convert different file types to PDF. **How do I edit a Whirlpool Dryer Wiring Diagram PDF?** Editing a PDF can be done with software like Adobe Acrobat, which allows direct editing of text, images, and other elements within the PDF. Some free tools, like PDFescape or Smallpdf, also offer basic editing capabilities. **How do I convert a Whirlpool Dryer Wiring Diagram PDF to another file format?** There are multiple ways to convert a PDF to another format: Use online converters like Smallpdf, Zamzar, or Adobe Acrobats export feature to convert PDFs to formats like Word, Excel, JPEG, etc. Software like Adobe Acrobat, Microsoft Word, or other PDF editors may have options to export or save PDFs in different formats. **How do I password-protect a Whirlpool Dryer Wiring Diagram PDF?** Most PDF editing software allows you to add password protection. In Adobe Acrobat, for instance, you can go to "File" -> "Properties" -> "Security" to set a password to restrict access or editing capabilities. Are there any free alternatives to Adobe Acrobat for working with PDFs? Yes, there are many free alternatives for working with PDFs, such as: LibreOffice: Offers PDF editing features. PDFsam: Allows splitting, merging, and editing PDFs. Foxit Reader: Provides basic PDF viewing and editing capabilities. How do I compress a PDF file? You can use online tools like Smallpdf, ILovePDF, or desktop software like Adobe Acrobat to compress PDF files without significant quality loss. Compression reduces the file size, making it easier to share and download. Can I fill out forms in a PDF file? Yes, most PDF viewers/editors like Adobe Acrobat, Preview (on Mac), or various online tools allow you to fill out forms in PDF files by selecting text fields and entering information. Are there any restrictions when working with PDFs? Some PDFs might have restrictions set by their creator, such as password protection, editing restrictions, or print restrictions. Breaking these restrictions might require specific software or tools, which may or may not be legal depending on the circumstances and local laws.

Find Whirlpool Dryer Wiring Diagram :

vocabulary workshop answers level b unit 7

~~voices and visions grade chapter~~

volkswagen golf wiring diagram

[volkswagen golf station wagon owners manual](#)

volleyball parent meeting letter

[volkswagen passat b6 manual changing door lock](#)

volkswagen rabbit 1982 manual haynes

vocabulary activity 15 history

[volkswagen beetle dashboard warning lights](#)

[vlsi physical design interview questions](#)

[volkswagen t2 manual](#)

[vodopich lab manual citation](#)

[volcanoes and other igneous activity workbook answers](#)

vizio vtab1008 manual

[volkswagen cc manual transmission nj](#)

Whirlpool Dryer Wiring Diagram :

[d cg 3 droit social 2015 2016 yumpu](#) - Dec 07 2022

web read the latest magazines about les conflits collectifsrr and discover magazines on yumpu com

[droit social 2015 2016 d cg épreuve 3 librairie eyrolles](#) - Jul 02 2022

web parfaitement à jour il intègre les dernières évolutions légales réglementaires et jurisprudentielles la loi relative à la formation professionnelle du 5 mars 2014 la loi de sécurisation de l emploi du 14 juin 2013

droit social d cg 3 manuel et applications corrigés inclus 2015 - Mar 30 2022

web droit social d cg 3 manuel et applications corrigés inclus 2015 2016 broché achat en ligne au meilleur prix sur e leclerc retrait gratuit dans de 700 magasins soldes

[d cg3 droit social 2016 2017 manuel et applications pdf](#) - Oct 05 2022

web d cg3 droit social 2016 2017 manuel et applications author paulette bauvert et nicole siret category jurisprudence law tags d cg droit social language french isbn 9782100751372 year 2016 file size 5 8 mb total downloads 2 443 total views 11 025 edition 2016 2017 pages in file 673 topic 313 identifier 9 782 100 751 372

d cg 3 droit social 2015 2016 dunod pdf scribd - Mar 10 2023

web d cg 3 droit social 2015 2016 dunod free ebook download as pdf file pdf or read book online for free

[corrigé commenté du d cg ue3 droit social 2016 compta online](#) - Jun 13 2023

web apr 13 2022 le sujet de droit social du d cg diplôme de comptabilité et de gestion de la session 2016 comportait 4 parties la première portait sur le licenciement économique la deuxième sur une modification des horaires des salariés la troisième sur la durée du travail et la dernière sur les conflits non contentieux de la relation de travail

les annales du d cg de 2014 à 2016 compta online - Aug 15 2023

web aug 27 2015 les annales du d cg actualisées et sujets 0 les annales du d cg de 2017 à 2019 les annales du d cg de 2014 à

2016 les annales du dcg de 2011 à 2013 les annales du dcg de 2008 à 2010 dcg ue1 analyse des sujets récurrents aux examens dcg ue2 analyse des sujets récurrents aux examens dcg ue3 analyse des sujets

véronique roy dcg 3 droit social 2015 2016 scribd - Aug 03 2022

web elles concernent les grandes liberts fondamentales par exemple la charte sociale de 1961 prne le droit au travail le droit la sant ou le droit une rmunration quitable ou encore le droit syndical et le droit de grve

2015 dgs kılavuz ve başvuru bilgileri osym gov tr - Feb 26 2022

web 2015 dgs kılavuzu genel bilgiler temel İlke ve kurallar tablo 1 merkezi yerleřtirme İle dikey geçiř yapılacak

yükseköğretim lisans programları tablo 1 de yer alan yükseköğretim lisans programlarının kořul ve açıklamaları tablo 2 Ön lisans mezuniyet alanlarına göre dikey geçiř yapılabilecek lisans programları

dcg 3 droit social 2015 2016 manuel et applications corrigés - Sep 04 2022

web alliant avec pertinence les notions fondamentales et leur mise en pratique le manuel de droit social couvre l intégralité du programme du dcg épreuve n 3 le cours illustré de nombreux exemples et cas de jurisprudence les tableaux de synthèses les résumés de fin de chapitre ainsi que les exercices d application et les questions d

4 sınıf İnsan hakları yurttaşlık ve demokrasi 15 hafta günlük - Jan 28 2022

web 4 sınıf İnsan hakları yurttaşlık ve demokrasi 15 hafta günlük planı 2015 2016 08 01 2016 tarihinde İlköğretim 4 ana kategorisinin yıllık planlar alt kategorisine zip olarak eklenmiştir ekleyen sorubak

download dcg 3 droit social 2015 2016 l essentiel en fiches - Nov 06 2022

web dcg 3 droit social 2015 2016 l essentiel en fiches express dcg pdf

session 2016 ue 3 droit social studi - Jun 01 2022

web corrigé du dcg 2016 ue 3 droit social 2 15 comptalia com 01 74 888 000 comptalia com ce corrigé est fourni à titre indicatif et ne saurait engager la responsabilité de comptalia session 2016 droit social durÉE de l épreuve 3 heures coefficient 1 aucun document personnel ni aucun matériel ne sont autorisés

4 sınıf meb yayınları İnsan hakları yurttaşlık ve demokrasi - Dec 27 2021

web cevap Üzerindeki bilgiler bize ait olan vergi numaraları tc kimlik numarası aile bilgileri ve doğum bilgilerimizdir 4 sınıf meb yayınları İlkokul İnsan hakları yurttaşlık ve demokrasi ders kitabı sayfa 15 cevabı etkinlik aşağıda verilen tanımlar ile tanımlara karşılık gelen hakları eşleştiriniz cevap

sujets et corrigés dcg ue 3 droit social comptazine - Apr 11 2023

web vous pouvez télécharger les sujets et corrigés de l ue3 droit social de dcg mises à jour régulières retour année sujets corrigés word 97 2003 word 2010 pdf word 97 2003 word 2010 pdf 2016 2015 2014 2013 2012 2011 2010 2009 2008 autres sujets et corrigés des épreuves du dcg ue1

dcg 3 droit social 2015 2016 l essentiel en fiches express dcg - Jul 14 2023

web dcg 3 droit social 2015 2016 l essentiel en fiches express dcg pdf 2hpb9lh6vn30

dcg 3 droit social 2015 2016 6e éd google books - May 12 2023

web conçue pour faciliter aussi bien l'apprentissage que la révision la collection expressvous propose une présentation simple et concise du dcg 3 droit socialen fiches pédagogiques dans chaque

dcg 3 droit social manuel et applications edition 2015 2016 - Apr 30 2022

web dcg 3 droit social manuel et applications edition 2015 2016 présentation actualisée de tous les aspects du programme de dcg 3

dcg 3 droit social 2015 2016 yumpu - Feb 09 2023

web read the latest magazines about les institutions représe and discover magazines on yumpu com

dcg 3 droit social 2015 2016 l essentiel en fiches express dcg - Jan 08 2023

web dcg 3 droit social 2015 2016 l essentiel en fiches express dcg véronique roy download on z library z library download books for free find books

zahnärztin terminplaner 2020 geschenk wochenplaner - Sep 18 2023

web zahnärztin terminplaner 2020 geschenk wochenplaner kalender 2020 für studium beruf praxis zubehör geschenkidee zu weihnachten unter 10 euro als

terminplaner 2020 geschenkidee für die zahnärztin - Aug 17 2023

web terminplaner 2020 geschenkidee für die zahnärztin zahnarzhelferin zum eintragen von terminen to dos und notizen mit niedlichen zähnen auf rosa by dentalmedizin

zahnärztin kalender 2020 geschenk wochenplaner - May 14 2023

web zahnärztin kalender 2020 geschenk wochenplaner terminkalender 2020 für studium beruf praxis zubehör geschenkidee zu weihnachten unter 10 euro als jahresplaner

terminplaner 2019 2020 geschenkidee fur zahnarzte full pdf - Aug 05 2022

web terminplaner 2019 2020 geschenkidee fur zahnarzte 3 3 haben das jahr 2019 2020 komplett im griff physiotherapeutin kalender 2020 independently published

terminplaner 2020 geschenkidee fur die zahnarzte bjorn - Dec 09 2022

web this terminplaner 2020 geschenkidee fur die zahnarzte as one of the most lively sellers here will entirely be accompanied by the best options to review zahnärztin

meet singhealth s luminaries healthxchange sg - Nov 27 2021

web healthxchange heroes meet singhealth s luminaries the singhealth calendar 2022 is a dedication to you our healthcare

heroes for the care that you show patients daily let s

download solutions terminplaner 2020 geschenkidee fur die - Jun 03 2022

web terminplaner 2020 geschenkidee fur die zahnärztin host bibliographic record for boundwith item barcode

30112072131219 and others may 31 2020 angenehmes und

terminplaner 2020 geschenkidee fur die zahnärztin pdf - Mar 12 2023

web terminplaner 2020 geschenkidee fur die zahnärztin bester schweier kalender 2020 oct 04 2021 jahreskalender

wochenplaner fr 2020 praktischer kalender um

terminplaner 2020 geschenkidee fur die zahnärztin pdf 2023 - Nov 08 2022

web jun 10 2023 some harmful virus inside their computer terminplaner 2020 geschenkidee fur die zahnärztin pdf is within reach in our digital library an online

terminplaner 2019 2020 geschenkidee für zahnärztinnen und - Oct 19 2023

web terminplaner 2019 2020 geschenkidee für zahnärztinnen und zahnärzthelferinnen juli 2019 bis dezember 2020 einfach

termine von 7 00 bis 21 00 uhr notieren publishing

terminplaner 2019 2020 geschenkidee fur zahnarzte download - Apr 01 2022

web terminplaner 2019 2020 geschenkidee fur zahnarzte 1 terminplaner 2019 2020 geschenkidee fur zahnarzte when people should go to the ebook stores search

terminplaner 2019 2020 geschenkidee für zahnärztinnen und - Jul 16 2023

web terminplaner 2019 2020 geschenkidee für zahnärztinnen und zahnärztliche assistentinnen juli 2019 bis dezember 2020

wochentage unterteilt von 7 00 bis 21 00

terminplaner 2019 2020 geschenkidee fur zahnarzte download - Apr 13 2023

web anwenden mit nur einem klick im warenkorb terminplaner 2019 2020 mar 09 2023 mit praktischer tages einteilung von 7 00 bis 21 00 uhr und extra nachtdienst

terminplaner2020geschenkideefurzahnarzt ahna - Feb 11 2023

web downloaded from terminplaner 2020 geschenkidee fur die zahnärztin 2022 ws oct 06 2023 2 2 terminplaner 2020

geschenkidee fur die zahnärztin 2023 07 27 und ideen

terminplaner 2020 geschenkidee für zahnarzt zahnärztin - Oct 07 2022

web june 1st 2020 finde das passende geschenk für den zahnarzt in deinem leben wir bei zazzle bieten dir tausende artikel

die du im handumdrehen mit deinen eigenen fotos

terminplaner 2020 geschenkidee fur zahnarzt zahna pdf - Jun 15 2023

web imker terminplaner bietet bienenzüchtern und honigproduzenten die möglichkeiten wichtige notizen termine und to do s

festzuhalten 2 seiten pro woche handlicher

singapore year planner with 2022 holidays office holidays - Dec 29 2021

web office holidays provides calendars with dates and information on public holidays and bank holidays in key countries around the world about us

terminplaner 2020 geschenkidee fur die zahnärztin download - Jul 04 2022

web 4 terminplaner 2020 geschenkidee fur die zahnärztin 2020 01 05 2020 perfekt zu organisieren oder zu planen sämtliche wichtigen termin lassen sich tageweise

customer care lazada sg - Jan 30 2022

web mobile accessories audio wearables console accessories camera accessories computer accessories storage printers computer components network components

where to get 2022 planners in singapore little day out - May 02 2022

web nov 29 2021 papercranes image papercranes inspired by nature find elegant and detailed planners and at papercranes they have beautiful undated bloom planners

free pdf download terminplaner 2020 geschenkidee fur die - Jan 10 2023

web terminplaner 2020 geschenkidee fur die zahnärztin bester pfleger kalender 2020 feb 28 2022 jahreskalender wochenplaner f r 2020 praktischer kalender um

terminplaner 2020 geschenkidee fur die zahnärztin 2022 ws - Sep 06 2022

web 2 terminplaner 2020 geschenkidee fur die zahnärztin 2023 07 27 und ideen oder zum selbergestalten als kleiner terminplaner oder tagebuch für jede erzieherin

hottest beauty advent calendars of 2022 vogue singapore - Feb 28 2022

web nov 23 2022 courtesy of dior 3 9 dior advent calendar dior brings the magic of avenue montaigne to you with this astral wrapped calendar adorned with illustrations of

aster plantation culture et floraison jardiner malin - Oct 11 2022

web on trouve les asters de petite taille pour les mettre le plus souvent en bordure ou en rocaille mais également des asters de très grande taille qu'il faudra alors tuteurer particulièrement mellifère l'aster attire les abeilles s'il existe près de 250 espèces d'asters on peut dire que toutes proposent une floraison généreuse et souvent spectaculaire

le grand guide de l'astre pdf controlplane themintgaming - May 26 2021

web le grand guide de soins aux ânes supplement to the universal catalogue of books on art the literature of egypt and the soudan from the earliest times to the year 1885 i e 1887 inclusive provençal literature language including the local history of southern france sessional papers le grand guide de l'ayurvéda le grand guide marabout de l'

le grand guide de l astre 2023 ead3 archivists - Aug 21 2023

web oct 23 2023 guide biblique de terre sainte d un guide des voyages de saint paul et d un atlas des pays bibliques ces trois ouvrages sont édités chez desclée de brouwer g bléger passionné de bible jean emériaux est l auteur d un guide biblique de terre sainte d un guide des voyages de saint paul et d un atlas des pays bibliques ces trois

le grand guide de l astre seminary fbny - Jan 14 2023

web le grand tombeau du monde ou jugement final des party en six livres grand dictionnaire universel du xixe siècle français a z 1805 76 le grand guide des pédagogies alternatives

le grand guide de l astre cyberlab sudt edu sg - Oct 23 2023

web le grand guide de l astre le grand guide de l autriche sep 10 2021 ce guide répond à deux objectifs informer et illustrer informer plus de vingt auteurs photographes universitaires journalistes ou grands voyageurs ont collaboré à ce volume pour vous offrir le guide le plus complet

les grands asters plus d un mètre de hauteur promesse de fleurs - Sep 10 2022

web les asters sont des plantes vivaces qui illuminent les massifs en automne par leur floraison colorée il en existe d innombrables variétés qui se déclinent dans de belles nuances de bleu violet blanc ou rose mais aussi de toutes les tailles les plus grands ceux dépassant le mètre de hauteur sont principalement des asters d automne comme l aster novi

le grand guide de l astre pdf careers schellgames - Jun 07 2022

web dix huit ans chez les sauvages voyages et missions dans l extrême nord de l amérique britannique d après les documents de mgr l Évêque d anemour par fernand michel avec la biographie et le portrait de mgr faraud

top 10 meilleur guide des astres en 2022 passion lecture com - Mar 24 2021

web oct 11 2023 plutôt que de faire l achat d un guide des astres sans savoir s il est bien ou non on vous propose de prendre deux minutes pour faire la lecture de notre article vous y trouverez notre sélection des 10 meilleurs guides des astres en 2022 à dévorer aussi bien en terrasse cet été que au coin du feu cet hiver

la liste dévoile son palmarès 2024 des meilleurs restaurants du - Jun 26 2021

web nov 16 2023 l analyse du classement 2024 avec l apparition d une inflation galopante dans certains pays permet de relever un taux élevé de fermetures 16 des restaurants classés dans la catégorie

ica sg arrival card sgac with electronic health declaration - Oct 31 2021

web sgac e service submit online here or myica mobile application download the official app for free from the app store ios or google play android and enjoy seamless submissions with the myica mobile app travellers are encouraged to download the myica mobile application for your own convenience the profile saving function in the app can

le grand guide de l astre john arthos 2023 - Jul 08 2022

web we offer le grand guide de l astre and numerous books collections from fictions to scientific research in any way among them is this le grand guide de l astre that can be your partner the language of natural description in eighteenth century poetry john arthos 2020 01 08

ebook le grand guide de l astre cyberlab sutd edu sg - Feb 15 2023

web le grand guide de la malaisie oct 01 2020 ce guide obit deux objectifs donner voir et informer informer plus de quinze auteurs photographes universitaires journalistes ou grands voyageurs tous amoureux fous de la malaisie ont collabor ce volume pour vous offrir le guide le plus complet

marché de Noël de strasbourg à quoi s attendre en 2023 le - Aug 29 2021

web nov 14 2023 demandez le programme du christkindelsmärlik de la place broglie au sapin alternatif du marché off l édition 2023 se tient jusqu au 24 décembre et fait le plein de bonnes surprises

le grand guide de l astre pdf cyberlab sutd edu sg - Apr 17 2023

web le grand guide de l équitation mar 01 2020 l essentiel pour les cavaliers de tous âges tous niveaux de maîtrise dressage saut d obstacles cross country toutes les disciplines sont étudiées un ouvrage conçu et rédigé par l un des plus grands entraîneurs équestres le grand guide des ânes apr 06 2023 the supper may 03 2020

le grand guide de l astronomie by various goodreads - Dec 13 2022

web apr 17 2019 le grand guide de l astronomie vous invite à explorer l espace entièrement mis à jour cet ouvrage de référence a été élaboré par un collectif d astrophysiciens et préfacé par le plus célèbre d entre eux hubert reeves

le grand guide de l astre download only - Jul 20 2023

web de mythe et de réalité dans la bible l enquête documentée révèle pour la première fois l identité de moïse de son père et de son frère grâce à un artefact passé inaperçu elle met en lumière les artifices employés par les auteurs de l ancien et du nouveau testament pour masquer certaines

orlando guide de voyage 2024 le guide définitif de la ville de l - May 06 2022

web nov 15 2023 orlando guide de voyage 2024 le guide définitif de la ville de l enchantement États unis informations essentielles sur les principales attractions rate this book que vous soyez un grand voyageur ou que vous partiez pour votre tout premier voyage notre guide de voyage est la clé de vos aventures extraordinaires

le grand guide de l astre françois guizot book - Sep 22 2023

web le grand guide de l astre le grand guide de l astre 3 downloaded from old restorativejustice org on 2021 03 23 by guest debated in post revolutionary france and how amidst the centenary celebrations of 1889 as romanticism gave way to symbolism the poet as lawgiver continued to play a central part in that debate

google maps - Apr 05 2022

web find local businesses view maps and get driving directions in google maps

le grand guide de l astre help environment harvard edu - Jan 02 2022

web le grand guide de l astre recognizing the mannerism ways to acquire this book le grand guide de l astre is additionally useful you have remained in right site to start getting this info get the le grand guide de l astre join that we have the funds for here and check out the link you could purchase guide le grand guide de l astre or get it as

guide de survie dans le grand bazar de l énergie le point - Sep 29 2021

web nov 18 2023 le journaliste erwan benezet décrypte le monde complexe et vital de l énergie encore plus chamboulé depuis l invasion de l ukraine par la russie

motogp à quelle heure voir le grand prix du qatar en direct ce - Jul 28 2021

web nov 19 2023 le grand prix de motogp du qatar est retransmis ce dimanche 19 novembre en direct sur la chaîne canal le départ de la course est prévu à 18 heures sur le circuit international de lusail

cheval votre horoscope de décembre 2023 journal des femmes - Mar 04 2022

web nov 20 2023 mais n envisagez pas trop vite l éventualité de vous mettre un anneau au doigt argent travail vu les turbulences de l astre van khuc vous aurez pas mal de problèmes avec votre entourage professionnel certains collègues vous jalouent terriblement agissez sagement en ne laissant personne vous nuire

le grand guide de l astre pdf cms tonpetitlook - Jun 19 2023

web le grand guide de votre enfant de 3 à 6 ans index catalogue of the library of the surgeon general s office united states army united states army army medical library national library of medicine

bouc votre horoscope de décembre 2023 journal des femmes - Dec 01 2021

web nov 20 2023 cependant l astre thien tru vous conseillera de discuter sans détours de ce qui vous oppose régulièrement l un à l autre et de trouver des solutions durables célibataire votre vie amoureuse sera empreinte de fougue et d une passion ravageuse

indoor map getting around singapore changi airport - Aug 09 2022

web 3 t 4 jewel get detailed directions to facilities attractions shops restaurants and more in terminals 1 2 3 and 4 of changi airport on this interactive map

read free le grand guide de l astre cyberlab sutd edu sg - Mar 16 2023

web le grand guide de l astre le grand guide de la russie de la biélorussie et de l ukraine nov 16 2021 web bibliothèque du voyageur other titles grand guide de la russie russie responsibility traduit de l anglais et adapté par valérie pousse et gilles guérard more information notice et cote du catalogue de la bibliothèque

le grand guide de l astre cyberlab sutd edu sg - May 18 2023

web le grand guide de l aromathérapie et des soins beauté naturels sep 27 2022 fruit de l expertise réunie d aroma zone et d aude maillard ce livre illustré très complet vous permettra de connaître et d utiliser en toute sécurité huiles essentielles et extraits naturels

singapour les incontournables que faire que voir que visiter - Nov 12 2022

web avec routard com toutes les informations incontournables pour préparer votre voyage à singapour carte singapour formalité météo singapour activités suggestions d itinéraire photos

gp f1 de las vegas l impact des températures froides red bull - Apr 24 2021

web nov 18 2023 l impact des températures froides du désert sur le grand prix de las vegas ce week end la f1 pose ses valises à las vegas pour l avant dernier gp de cette saison 2023 mais la course qui se

le grand guide de l astre pdf vps huratips - Feb 03 2022

web le grand guide de l astre 1 le grand guide de l astre the literature of egypt and the soudan from the earliest times to the year 1885 i e 1887 inclusive le grand guide des probiotiques le grand guide de soins aux ânes les almanachs français bibliographie iconographie le grand guide de l ayurvéda le grand guide marabout de l auto suffisance