

- Table of Contents
- Safe operating instructions
- Technical Data
- Introduction, Maintenance
- Planned Maintenance
- Oil and Grease Specifications
- Tools
- Support Arm Chain
- Electric Drive Motor
- Drive Unit/Case
- Electromagnetic Brake
- Steering
- Electrical Systems
- Hydraulic System
- Non-Lift Chain System



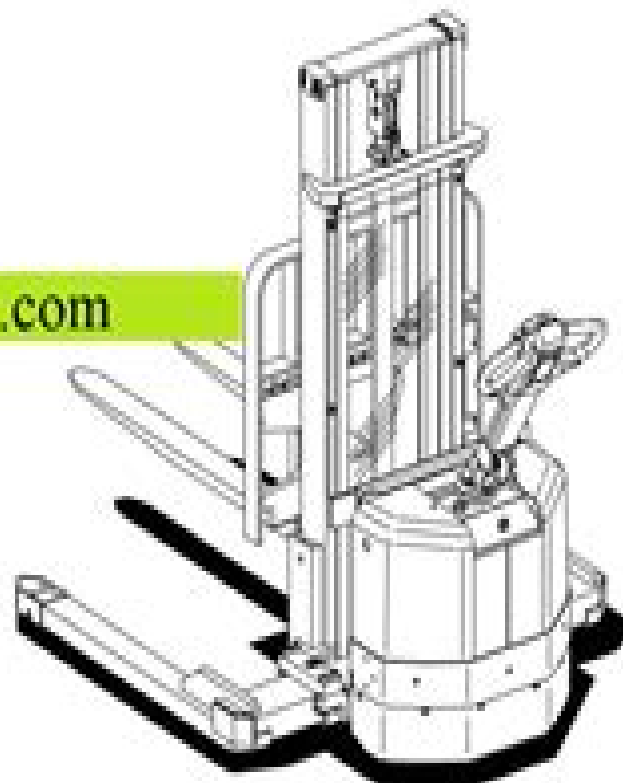
**MATERIAL HANDLING U.S.A.**

# Service Guide

## 6BWS10/13

Electric Walkie Adjustable Straddle Stackers  
 (Effective Serial Number 000000 - UP)

DHTauto.com



- Warning** Read and observe all warnings on this unit before operating it.
- Warning** DO NOT operate this equipment unless all factory installed safety and health are

# Toyota Fork Truck Repair Manual

**Ian Pickup**



## **Toyota Fork Truck Repair Manual:**

*The Forklift Manual* John L. Ryan, L. D. Ryan, 2006      *Popular Science*, 1978-01 Popular Science gives our readers the information and tools to improve their technology and their world The core belief that Popular Science and our readers share The future is going to be better and science and technology are the driving forces that will help make it better      Popular Science, 1980-03 Popular Science gives our readers the information and tools to improve their technology and their world The core belief that Popular Science and our readers share The future is going to be better and science and technology are the driving forces that will help make it better      **Popular Science**, 1980-04 Popular Science gives our readers the information and tools to improve their technology and their world The core belief that Popular Science and our readers share The future is going to be better and science and technology are the driving forces that will help make it better      Popular Mechanics, 1980-01 Popular Mechanics inspires instructs and influences readers to help them master the modern world Whether it s practical DIY home improvement tips gadgets and digital technology information on the newest cars or the latest breakthroughs in science PM is the ultimate guide to our high tech lifestyle      Popular Science, 1979-07 Popular Science gives our readers the information and tools to improve their technology and their world The core belief that Popular Science and our readers share The future is going to be better and science and technology are the driving forces that will help make it better      **Popular Science**, 1982-12 Popular Science gives our readers the information and tools to improve their technology and their world The core belief that Popular Science and our readers share The future is going to be better and science and technology are the driving forces that will help make it better      *Popular Mechanics*, 1980-03 Popular Mechanics inspires instructs and influences readers to help them master the modern world Whether it s practical DIY home improvement tips gadgets and digital technology information on the newest cars or the latest breakthroughs in science PM is the ultimate guide to our high tech lifestyle      **Popular Mechanics**, 1984-08 Popular Mechanics inspires instructs and influences readers to help them master the modern world Whether it s practical DIY home improvement tips gadgets and digital technology information on the newest cars or the latest breakthroughs in science PM is the ultimate guide to our high tech lifestyle      *Popular Mechanics*, 1980-02 Popular Mechanics inspires instructs and influences readers to help them master the modern world Whether it s practical DIY home improvement tips gadgets and digital technology information on the newest cars or the latest breakthroughs in science PM is the ultimate guide to our high tech lifestyle      Popular Science, 1983-09 Popular Science gives our readers the information and tools to improve their technology and their world The core belief that Popular Science and our readers share The future is going to be better and science and technology are the driving forces that will help make it better      Popular Science, 1980-02 Popular Science gives our readers the information and tools to improve their technology and their world The core belief that Popular Science and our readers share The future is going to be better and science and technology are the driving forces that will help make it better      *Popular Mechanics*, 1979-11

Popular Mechanics inspires instructs and influences readers to help them master the modern world Whether it s practical DIY home improvement tips gadgets and digital technology information on the newest cars or the latest breakthroughs in science PM is the ultimate guide to our high tech lifestyle [Popular Science](#) ,1978-02 Popular Science gives our readers the information and tools to improve their technology and their world The core belief that Popular Science and our readers share The future is going to be better and science and technology are the driving forces that will help make it better

*Popular Mechanics* ,1983-11 Popular Mechanics inspires instructs and influences readers to help them master the modern world Whether it s practical DIY home improvement tips gadgets and digital technology information on the newest cars or the latest breakthroughs in science PM is the ultimate guide to our high tech lifestyle [Popular Science](#) ,1977-12 Popular Science gives our readers the information and tools to improve their technology and their world The core belief that Popular Science and our readers share The future is going to be better and science and technology are the driving forces that will help make it better [Popular Science](#) ,1979-11 Popular Science gives our readers the information and tools to improve their technology and their world The core belief that Popular Science and our readers share The future is going to be better and science and technology are the driving forces that will help make it better [Toyota Truck & Land Cruiser Owner's Bible](#) Moses Ludel,1995 A Hands on Guide To Getting The Most From Your Toyota The Toyota Truck Land Cruiser Owner s Bible is the authoritative companion book for your Toyota truck whether it s a heavy hauling pickup rugged off road FJ40 or a new Land Cruiser that s never left pavement Author veteran truck mechanic and off road expert Moses Ludel has written the only comprehensive source of information for Toyota Trucks and Land Cruisers a history buyer s guide service manual and high performance tuning book all in one Discover every aspect of Toyota trucks from their origins in 1958 to the latest technological advances You ll learn tips for buying the right new or used truck and which accessories make sense for your needs Step by step procedures with hundreds of photos cover basic maintenance and more complicated work like tune ups valve adjustments brake jobs and installing aftermarket suspension lift kits Get the hot set up for your truck whether you want low end torque or high RPM power Moses gives specific tuning recommendations for engines from the early inline 6s to the advanced 4 5L 24 valve DJ engine He shares expert insights into the best high performance components and the latest technology from Toyota Racing Development You ll also find suspension and chassis modifications and the best tire and wheel combinations Comprehensive coverage of Toyota Trucks and Land Cruisers from 1958 1996 including 4Runner SR 5 Tacoma T 100 FJ25 FJ40 FJ43 FJ45 FJ55 FJ80 FJ60 DJ80 Stout Hi Lux Xtra Cab Cab and Chassis Models [Popular Science](#) ,1979-08 Popular Science gives our readers the information and tools to improve their technology and their world The core belief that Popular Science and our readers share The future is going to be better and science and technology are the driving forces that will help make it better *Popular Mechanics* ,1978-01 Popular Mechanics inspires instructs and influences readers to help them master the modern world Whether it s practical DIY home improvement tips gadgets and digital

technology information on the newest cars or the latest breakthroughs in science PM is the ultimate guide to our high tech lifestyle

Fuel your quest for knowledge with Learn from is thought-provoking masterpiece, Explore **Toyota Fork Truck Repair Manual** . This educational ebook, conveniently sized in PDF ( \*), is a gateway to personal growth and intellectual stimulation. Immerse yourself in the enriching content curated to cater to every eager mind. Download now and embark on a learning journey that promises to expand your horizons. .

<http://www.frostbox.com/files/browse/index.jsp/thomas%20edison%20state%20college%20acc%20101.pdf>

## **Table of Contents Toyota Fork Truck Repair Manual**

1. Understanding the eBook Toyota Fork Truck Repair Manual
  - The Rise of Digital Reading Toyota Fork Truck Repair Manual
  - Advantages of eBooks Over Traditional Books
2. Identifying Toyota Fork Truck Repair Manual
  - Exploring Different Genres
  - Considering Fiction vs. Non-Fiction
  - Determining Your Reading Goals
3. Choosing the Right eBook Platform
  - Popular eBook Platforms
  - Features to Look for in an Toyota Fork Truck Repair Manual
  - User-Friendly Interface
4. Exploring eBook Recommendations from Toyota Fork Truck Repair Manual
  - Personalized Recommendations
  - Toyota Fork Truck Repair Manual User Reviews and Ratings
  - Toyota Fork Truck Repair Manual and Bestseller Lists
5. Accessing Toyota Fork Truck Repair Manual Free and Paid eBooks
  - Toyota Fork Truck Repair Manual Public Domain eBooks
  - Toyota Fork Truck Repair Manual eBook Subscription Services
  - Toyota Fork Truck Repair Manual Budget-Friendly Options

6. Navigating Toyota Fork Truck Repair Manual eBook Formats
  - ePub, PDF, MOBI, and More
  - Toyota Fork Truck Repair Manual Compatibility with Devices
  - Toyota Fork Truck Repair Manual Enhanced eBook Features
7. Enhancing Your Reading Experience
  - Adjustable Fonts and Text Sizes of Toyota Fork Truck Repair Manual
  - Highlighting and Note-Taking Toyota Fork Truck Repair Manual
  - Interactive Elements Toyota Fork Truck Repair Manual
8. Staying Engaged with Toyota Fork Truck Repair Manual
  - Joining Online Reading Communities
  - Participating in Virtual Book Clubs
  - Following Authors and Publishers Toyota Fork Truck Repair Manual
9. Balancing eBooks and Physical Books Toyota Fork Truck Repair Manual
  - Benefits of a Digital Library
  - Creating a Diverse Reading Collection Toyota Fork Truck Repair Manual
10. Overcoming Reading Challenges
  - Dealing with Digital Eye Strain
  - Minimizing Distractions
  - Managing Screen Time
11. Cultivating a Reading Routine Toyota Fork Truck Repair Manual
  - Setting Reading Goals Toyota Fork Truck Repair Manual
  - Carving Out Dedicated Reading Time
12. Sourcing Reliable Information of Toyota Fork Truck Repair Manual
  - Fact-Checking eBook Content of Toyota Fork Truck Repair Manual
  - Distinguishing Credible Sources
13. Promoting Lifelong Learning
  - Utilizing eBooks for Skill Development
  - Exploring Educational eBooks
14. Embracing eBook Trends
  - Integration of Multimedia Elements

- Interactive and Gamified eBooks

## **Toyota Fork Truck Repair Manual Introduction**

Free PDF Books and Manuals for Download: Unlocking Knowledge at Your Fingertips In today's fast-paced digital age, obtaining valuable knowledge has become easier than ever. Thanks to the internet, a vast array of books and manuals are now available for free download in PDF format. Whether you are a student, professional, or simply an avid reader, this treasure trove of downloadable resources offers a wealth of information, conveniently accessible anytime, anywhere. The advent of online libraries and platforms dedicated to sharing knowledge has revolutionized the way we consume information. No longer confined to physical libraries or bookstores, readers can now access an extensive collection of digital books and manuals with just a few clicks. These resources, available in PDF, Microsoft Word, and PowerPoint formats, cater to a wide range of interests, including literature, technology, science, history, and much more. One notable platform where you can explore and download free Toyota Fork Truck Repair Manual PDF books and manuals is the internet's largest free library. Hosted online, this catalog compiles a vast assortment of documents, making it a veritable goldmine of knowledge. With its easy-to-use website interface and customizable PDF generator, this platform offers a user-friendly experience, allowing individuals to effortlessly navigate and access the information they seek. The availability of free PDF books and manuals on this platform demonstrates its commitment to democratizing education and empowering individuals with the tools needed to succeed in their chosen fields. It allows anyone, regardless of their background or financial limitations, to expand their horizons and gain insights from experts in various disciplines. One of the most significant advantages of downloading PDF books and manuals lies in their portability. Unlike physical copies, digital books can be stored and carried on a single device, such as a tablet or smartphone, saving valuable space and weight. This convenience makes it possible for readers to have their entire library at their fingertips, whether they are commuting, traveling, or simply enjoying a lazy afternoon at home. Additionally, digital files are easily searchable, enabling readers to locate specific information within seconds. With a few keystrokes, users can search for keywords, topics, or phrases, making research and finding relevant information a breeze. This efficiency saves time and effort, streamlining the learning process and allowing individuals to focus on extracting the information they need. Furthermore, the availability of free PDF books and manuals fosters a culture of continuous learning. By removing financial barriers, more people can access educational resources and pursue lifelong learning, contributing to personal growth and professional development. This democratization of knowledge promotes intellectual curiosity and empowers individuals to become lifelong learners, promoting progress and innovation in various fields. It is worth noting that while accessing free Toyota Fork Truck Repair Manual PDF books and manuals is convenient and cost-effective, it is vital to respect copyright laws and intellectual property rights. Platforms offering free downloads often operate within legal



boundaries, ensuring that the materials they provide are either in the public domain or authorized for distribution. By adhering to copyright laws, users can enjoy the benefits of free access to knowledge while supporting the authors and publishers who make these resources available. In conclusion, the availability of Toyota Fork Truck Repair Manual free PDF books and manuals for download has revolutionized the way we access and consume knowledge. With just a few clicks, individuals can explore a vast collection of resources across different disciplines, all free of charge. This accessibility empowers individuals to become lifelong learners, contributing to personal growth, professional development, and the advancement of society as a whole. So why not unlock a world of knowledge today? Start exploring the vast sea of free PDF books and manuals waiting to be discovered right at your fingertips.

### **FAQs About Toyota Fork Truck Repair Manual Books**

How do I know which eBook platform is the best for me? Finding the best eBook platform depends on your reading preferences and device compatibility. Research different platforms, read user reviews, and explore their features before making a choice. Are free eBooks of good quality? Yes, many reputable platforms offer high-quality free eBooks, including classics and public domain works. However, make sure to verify the source to ensure the eBook credibility. Can I read eBooks without an eReader? Absolutely! Most eBook platforms offer web-based readers or mobile apps that allow you to read eBooks on your computer, tablet, or smartphone. How do I avoid digital eye strain while reading eBooks? To prevent digital eye strain, take regular breaks, adjust the font size and background color, and ensure proper lighting while reading eBooks. What the advantage of interactive eBooks? Interactive eBooks incorporate multimedia elements, quizzes, and activities, enhancing the reader engagement and providing a more immersive learning experience. Toyota Fork Truck Repair Manual is one of the best book in our library for free trial. We provide copy of Toyota Fork Truck Repair Manual in digital format, so the resources that you find are reliable. There are also many Ebooks of related with Toyota Fork Truck Repair Manual. Where to download Toyota Fork Truck Repair Manual online for free? Are you looking for Toyota Fork Truck Repair Manual PDF? This is definitely going to save you time and cash in something you should think about.

### **Find Toyota Fork Truck Repair Manual :**

[thomas edison state college acc 101](#)

[thousand years suprano recorder notes](#)

[tigershark service manual](#)

~~third grade rocks and minerals study guide~~  
~~this time and age~~

**tiger river manora manual**

~~tiger woods pga tour strategy guide~~

**thomas passemondes brann tome saga fantasy**

**three s no crowd construction zone bwwm bbw bareback mfm**

**this i believe npr guidelines**

~~thomson reuters accounting~~

**thomas school saf t liner wiring diagram**

~~thread s 2014 magazine archive~~

**tiger shark xl owners manual**

**thomson tg585v8 manual**

### **Toyota Fork Truck Repair Manual :**

[buy the improvement of the mind book online at low prices in](#) - Jun 23 2022

web in this replica 1837 edition discover directions for the attainment of useful knowledge the different modes of learning compared observation reading instruction conversation and study notes on learning a foreign language dealing with disputes in a logical way enlarging the capacity of the mind and improving the memory

[the improvement of the mind watts isaac 1674 1748 free](#) - Oct 08 2023

web dec 31 2014 the improvement of the mind by watts isaac 1674 1748 publication date 1821 topics logic self culture education publisher london printed by w wilson for j bumpus holborn bars sharpe king street covent garden samms pall mall warren new bond street reilly lord street liverpool collection yorkuniversity toronto

*the improvement of the mind watts isaac 1674 1748 free* - Jun 04 2023

web the following pages contain the whole of the first part of dr watts s improvement of the mind

**pdf the improvement of the mind by isaac watts perlego** - Jan 31 2023

web watts i 2021 the improvement of the mind edition unavailable left of brain books available at perlego com book 2994882  
the improvement of the mind pdf accessed 15 october 2022

**improvement of the mind watts isaac 1674 1748 archive org** - Sep 07 2023

web sep 2 2008 improvement of the mind watts isaac 1674 1748 free download borrow and streaming internet archive

**improvement of the mind nov 05 2017 edition open library** - Dec 30 2022

web nov 5 2017 improvement of the mind by watts isaac nov 05 2017 createspace independent publishing platform edition paperback

*the improvement of the mind by issac watts goodreads* - May 03 2023

web 4 09 54 ratings13 reviews rule i deeply possess your mind with the vast importance of a good judgment and the rich and inestimable advantage of right reasoning review the instances of your own misconduct in life think seriously with yourselves how many follies and sorrows you had escaped and how much guilt and misery you had prevented

*the improvement of the mind by isaac watts open library* - Nov 28 2022

web the improvement of the mind by isaac watts 1819 published by evert duyckinck no 68 water street edition in english  
**improvement of the mind english edition isaac watts 2023** - Feb 17 2022

web their game to keep improving to solve this puzzle this book presents a theory of continuous improvement that explains how experts use conscious strategies to update and improve motor execution in training contexts and stabilise performance under highly pressurised conditions it argues that expertise is characterised by an attentional

[the improvement of the mind isaac watts from the improvement](#) - Mar 01 2023

web summary faraday frequently acknowledged the importance of isaac watts s mid eighteenth century handbook for self improvers for his own views on mental discipline and the development of the faculties

[the improvement of the mind isaac watts google books](#) - Jul 05 2023

web the improvement of the mind author isaac watts edition 2 published 1743 original from the bavarian state library digitized oct 8 2008 export citation bibtex endnote refman

*the improvement of the mind watts isaac amazon com tr kitap* - Aug 26 2022

web in this replica 1837 edition discover directions for the attainment of useful knowledge the different modes of learning compared observation reading instruction conversation and study notes on learning a foreign language dealing with disputes in a logical way enlarging the capacity of the mind and improving the memory

*improvement of the mind internet archive* - Aug 06 2023

web asketchofthelifeoftheauthor isaacwatts d d tmenglishdissenting lf rpr manand poet wa8bornin southampton july17 1 74 anddiedin london november2o 174 s he wa

**the improvement of the mind to which is added a discourse on** - Oct 28 2022

web the improvement of the mind to which is added a discourse on the education of children and youth by watts isaac 1674 1748 english remnants of time employed in prose and verse or short essays and composures on various subjects p openlibrary edition ol24589463m openlibrary work ol15645678w page progression lr pages 438

**improvement of the mind watts isaac amazon com tr kitap** - May 23 2022

web improvement of the mind watts isaac amazon com tr kitap kitap aile ve yaşam kişisel gelişim gönderici gönderici book depository united kingdom

**the improvement of the mind to which is added a discourse** - Mar 21 2022

web the improvement of the mind to which is added a discourse on the education of children and youth watts isaac amazon com tr kitap Çerez tercihlerinizi seçin Çerez bildirimimizde ayrıntılı şekilde açıklandığı üzere alışveriş yapmanızı sağlamak alışveriş deneyiminizi iyileştirmek ve hizmetlerimizi sunmak için gerekli

**the improvement of the mind to which is added a discourse** - Apr 21 2022

web the improvement of the mind to which is added a discourse on the education of children and youth watts isaac amazon com tr kitap

*the improvement of the mind 1826 edition open library* - Jul 25 2022

web the improvement of the mind by isaac watts 1826 printed and sold by james loring no 132 washington street edition in english loring s third boston edition

**the improvement of the mind isaac watts google books** - Sep 26 2022

web mar 1 2007 the improvement of the mind isaac watts cosimo inc mar 1 2007 philosophy 452 pages this work a follow up to his enormously successful 1724 book logic also available from cosimo was first published

the improvement of the mind by isaac watts open library - Apr 02 2023

web sep 15 2020 the improvement of the mind or a supplement to the art of logick containing a variety of remarks and rules for the attainment and communication of useful knowledge in religion in the sciences and in common life 1768 james buckland thomas longman etc in english 5th ed

**daytrade a realidade sem mimimi quer se tornar** - Oct 05 2023

web daytrade a realidade sem mimimi quer se tornar um day trader comece lendo esse livro by vinícius miranda 3 20 avg rating 10 ratings ser day trade é um sonho

*amazon com au customer reviews daytrade a realidade* - Feb 26 2023

web veja grátis o arquivo daytrade a realidade sem mimimi quer se tornar um day trader comece lendo esse livro enviado para a disciplina de investimentos categoria

*daytrade a realidade sem mimimi quer se tornar um day* - Mar 30 2023

web amazon com daytrade a realidade sem mimimi quer se tornar um day trader comece lendo esse livro portuguese edition ebook miranda vinicius cesar bruno

*daytrade a realidade sem mimimi quer se tornar um day* - Dec 27 2022

web recognizing the pretentiousness ways to acquire this ebook daytrade a realidade sem mimimi quer se tornar um is

additionally useful you have remained in right site to  
[pdf daytrade a realidade sem mimimi quer se tornar](#) - Sep 04 2023

web daytrade a realidade sem mimimi quer se tornar um day eu sou ryca 2016 mestre dos centavo at breve soldados blog  
jovens estudantes mais alertas vermelhos

[pdf daytrade a realidade sem mimimi quer se tornar](#) - Oct 25 2022

web discover and share books you love on goodreads

*daytrade a realidade sem mimimi quer se tornar um day* - Apr 18 2022

**daytrade a realidade sem mimimi quer se tornar um pdf** - Aug 23 2022

web sep 14 2023 daytrade a realidade sem mimimi quer se tornar um day falando de canibais e mitos tpico de sbado o  
carcar arquivos blog pgina 2 de 4 mulher na

*amazon com br avaliações de clientes daytrade a* - Jan 28 2023

web apr 28 2019 daytrade a realidade sem mimimi quer se tornar um day ser day trade é um sonho para muitos e realidade  
para poucos acompanhe uma história real

**daytrade a realidade sem mimimi quer se tornar um** - Sep 23 2022

web any of our books like this one merely said the daytrade a realidade sem mimimi quer se tornar um is universally  
compatible taking into account any devices to read trading

*daytrade a realidade sem mimimi quer se tornar um day* - May 20 2022

web daytrade a realidade sem mimimi quer se tornar um day trader comece lendo esse livro portuguese edition by bruno  
cesar daytrade a realidade sem mimimi quer se

*daytrade a realidade sem mimimi quer se tornar um day* - Mar 18 2022

**daytrade a realidade sem mimimi quer se tornar um day** - Jul 02 2023

web daytrade a realidade sem mimimi quer se tornar um day trader comece lendo esse livro ebook miranda vinicius cesar  
bruno amazon com br livros

**daytrade a realidade sem mimimi quer se tornar um a l** - Jun 20 2022

web daytrade a realidade sem mimimi quer se tornar um day trader comece lendo esse livro portuguese edition by bruno  
cesar falando de canibais e mitos tpico de sbado o

**readers who enjoyed daytrade a realidade sem mimimi** - Aug 03 2023

web day trade a realidade sem mimimi pdf empresa startup microempresas e empreendedores dinheiro e estava falido vi que

uma parte do curso falava sobre

**daytrade a realidade sem mimimi quer se tornar um day** - Nov 25 2022

web sem mimimi quer se tornar um compiled by a very acclaimed author immerses readers in a captivating exploration of the significance of language and its profound effect on our

daytrade a realidade sem mimimi quer se tornar um day - Feb 14 2022

**loading interface goodreads** - Jul 22 2022

web sep 3 2023 realidade sem mimimi quer se tornar um day may 1st 2020 daytrade a realidade sem mimimi quer se tornar um day trader ece lendo esse

*daytrade a realidade sem mimimi quer se* - Apr 30 2023

web confira avaliações e notas de clientes para daytrade a realidade sem mimimi quer se tornar um day trader comece lendo esse livro na amazon com br leia avaliações

**day trade a realidade sem mimimi pdf empresa** - Jun 01 2023

web find helpful customer reviews and review ratings for daytrade a realidade sem mimimi quer se tornar um day trader comece lendo esse livro portuguese edition

**reisen illustrierte geschichte vorwort abebooks** - Mar 15 2023

web reisen die illustrierte geschichte mit einem vorwort von michael martin by humphreys andrew adams simon and a great selection of related books art and collectibles available now at abebooks co uk

**reisen die illustrierte geschichte cheaboo de** - Nov 11 2022

web das umfassende reisebuch ist das einzige illustrierte werk das zahlreiche fotografien mit historischen bezügen vereint von den reisen der griechen oder dem straßennetz der römer über zeppelinflüge und alpenüberquerungen bis hin zur ersten mondlandung und den marsmissionen wird die entwicklung des reisens im laufe der zeit eindrucksvoll

**reisen die illustrierte geschichte mit einem vorwort von michael** - Dec 12 2022

web reisen die illustrierte geschichte mit einem vorwort von michael martin by andrew humphreys simon adams r g grant michael martin abenteurer diplom geograph und reist seit über 30 jahren rund um den globus er veröffentlichte 30 bildbände und bücher hielt über 2000 vorträge und produzierte

illustriertes fernweh vom reisen und nachhausekommen - Apr 04 2022

web illustriertes fernweh vom reisen und nachhausekommen willy puchner isbn 9783894053895 kostenloser versand für alle bücher mit versand und verkauf duch amazon zum hauptinhalt wechseln de hallo lieferadresse wählen wähle die kategorie aus in der du suchen möchtest

*reisen die illustrierte geschichte mit einem vorwort von michael* - Apr 16 2023

web hardcover gebraucht sehr gut ungelesenes vollständiges exemplar in sehr gutem zustand mit leichten lagerspuren als mängelexemplar gekennzeichnet besorgun

**reisen die illustrierte geschichte mit ab 5 72** - Jan 13 2023

web 1 zoom in reisen die illustrierte geschichte mit einem vorw zustand sehr gut 2018 search dehcusthumb up isbn 9783831036073searchbzw 3831036071 in deutsch gebundenes buch gebraucht guter zustand 33 17thumbs up downversandkostenfrei unverbindlich

**reisen die illustrierte geschichte mit einem vorw copy banking** - Jul 07 2022

web reisen die illustrierte geschichte mit einem vorw kanon macht kultur illustrierte geschichte der musik von der renaissance bis auf die gegenwart visual history aus dem 17 und 18 jahrhundert illustrierte geschichte der urologie illustrierte geschichte des deutschen schrifttums in volkstümlicher darstellung der enthüllte erdkreis

**reisen die illustrierte geschichte mit einem vorwort von michael** - Mar 03 2022

web reisen die illustrierte geschichte mit einem vorwort von michael martin by andrew humphreys simon adams r g grant michael martin enthüllt wissenswertes zu historischen reisen aller art zu wichtigen errungenschaften und pionieren Über 760 fotos und illustrationen zeigen

**reisen die illustrierte geschichte mit einem vorwort von michael** - Jul 19 2023

web may 15th 2020 reisen die illustrierte geschichte mit einem vorwort von michael martin von andrew humphreys simon adams r g grant michael martin vorwort von verfasser michael martin hardcover 360 seiten über 760 fotografien und illustrationen 30 7

**reisen die illustrierte geschichte mit einem vorwort von michael** - Jan 01 2022

web reisen die illustrierte geschichte mit einem vorwort von michael martin by andrew humphreys simon adams r g grant michael martin dass sie einen beeindruckenden bildband wie diesen verdient das umfassende reisebuch ist das einzige illustrierte werk das zahlreiche fotografien mit

**reisen die illustrierte geschichte mit einem vorwort von michael** - Jun 18 2023

web reisen die illustrierte geschichte mit einem vorwort von michael martin by andrew humphreys simon adams r g grant michael martin von den reisen der griechen oder dem straßennetz der römer über zeppelinflüge

*reisen die illustrierte geschichte mit einem vorwort von michael* - May 17 2023

web abebooks com reisen die illustrierte geschichte mit einem vorwort von michael martin 9783831036073 by humphreys andrew adams simon grant r g martin michael and a great selection of similar new used

*reisen die illustrierte geschichte mit einem vorwort von michael* - Feb 02 2022

web jul 15 2023 reisen die illustrierte geschichte mit einem vorwort von michael martin by andrew humphreys simon adams r g grant michael martin die reise eine kurzgeschichte markus walther reisen die illustrierte geschichte 59plus wie schreibt man ein vorwort so geht s wissenschaft amp technik die

**reisen die illustrierte geschichte mit einem vorw ol wise edu** - Aug 08 2022

web reisen die illustrierte geschichte mit einem vorw recognizing the pretentiousness ways to get this book reisen die illustrierte geschichte mit einem vorw is additionally useful you have remained in right site to start getting this info acquire the reisen die illustrierte geschichte mit einem vorw join that we have enough money here and check

**vorsicht fernweh geschichten vom reisen taschenbuch amazon de** - May 05 2022

web geschichten vom reisen eulenbruch rene amazon de bücher zum hauptinhalt wechseln bücher wähle die kategorie aus in der du suchen möchtest kundensupport bei behinderungen

**reisen die illustrierte geschichte mit einem vorw** - Jun 06 2022

web reisen die illustrierte geschichte mit einem vorw 1 reisen die illustrierte geschichte 2 reisen die illustrierte geschichte mit einem vorw 2019 09 27 einmal durch die republik führt zu den trinkhallen im westen zum neujahrsspringen in garmisch partenkirchen den stählernen

*rezension reisen die illustrierte geschichte weltwach* - Feb 14 2023

web jan 13 2019 rezension zum buch reisen die illustrierte geschichte eine systematische und opulent gestaltete reise durch die geschichte des reisens ein buch über den zeitlosen drang des menschen neues zu entdecken und ins unbekanntes aufzubrechen mit einem vorwort von michael martin isbn 978 3 8310 3607 3 360

**reisen die illustrierte geschichte mit einem vorwort von michael** - Aug 20 2023

web das umfassende reisebuch ist das einzige illustrierte werk das zahlreiche fotografien mit historischen bezügen vereint von den reisen der griechen oder dem straßennetz der römer über zeppelinflüge und alpenüberquerungen bis hin zur ersten mondlandung und den marsmissionen wird die entwicklung des reisens im laufe der zeit eindrucksvoll

**reisen die illustrierte geschichte mit einem vorw dotnbm** - Oct 10 2022

web illustrierte geschichte der deutscher literatur von den ältesten zeiten bis zur gegenwart bd von den freiheitskriegen bis zum neuen sturm und drang der enthüllte erdkreis

**reisen die illustrierte geschichte mit einem vorw 2022 dotnbm** - Sep 09 2022

web reisen die illustrierte geschichte mit einem vorw illustrierte geschichte des altertums aus dem 19 jahrhundert bilderbuchland illustrierte geschichte der musik von der renaissance bis auf die gegenwart dumont reise taschenbuch reiseführer köln aus dem 18 jahrhundert geschichte der japanischen litteratur targaryen wappensammler