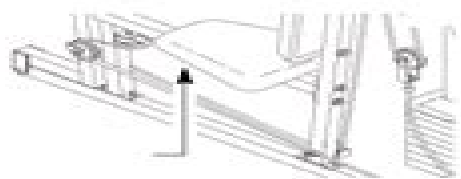


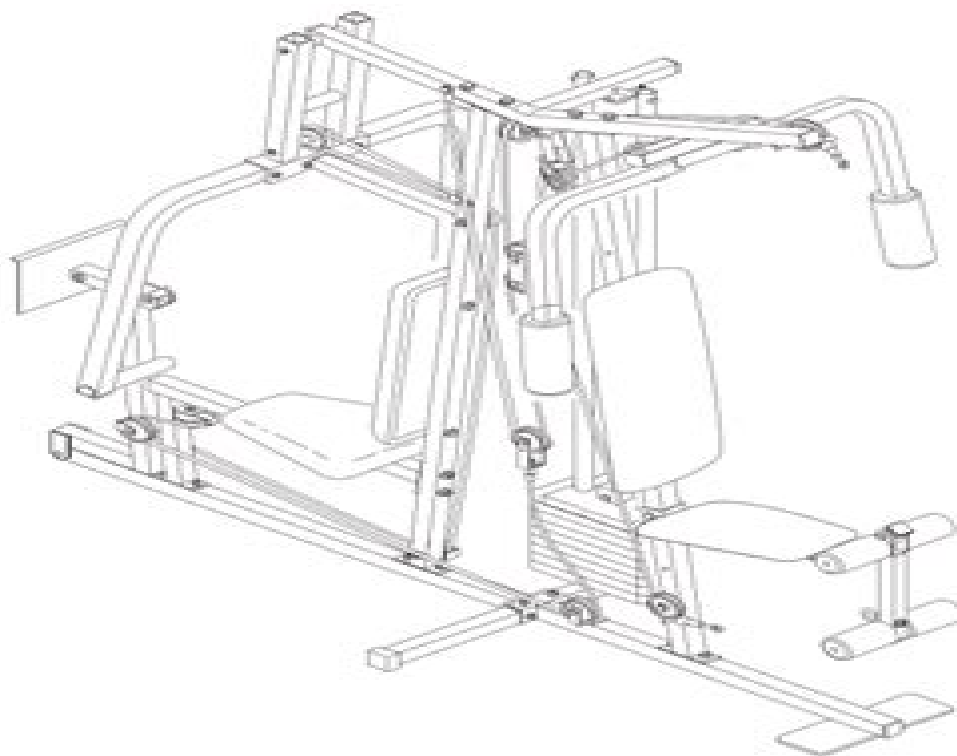


# WEIDER PRO

## 9628



**EXERCISE  
FORMER  
QUESTIONS  
HELPLINE  
1-800-736-6879**



# Weider Home Gym Manual 9628

**K Morrison**



**Weider Home Gym Manual 9628:**

## Unveiling the Power of Verbal Art: An Emotional Sojourn through **Weider Home Gym Manual 9628**

In a global inundated with screens and the cacophony of immediate interaction, the profound energy and psychological resonance of verbal artistry often fade in to obscurity, eclipsed by the regular onslaught of sound and distractions. However, located within the lyrical pages of **Weider Home Gym Manual 9628**, a fascinating perform of literary beauty that pulses with natural emotions, lies an wonderful journey waiting to be embarked upon. Published by a virtuoso wordsmith, this enchanting opus books viewers on a psychological odyssey, delicately revealing the latent possible and profound influence embedded within the delicate web of language. Within the heart-wrenching expanse of this evocative analysis, we can embark upon an introspective exploration of the book is main subjects, dissect their fascinating writing model, and immerse ourselves in the indelible effect it leaves upon the depths of readers souls.

<http://www.frostbox.com/book/browse/default.aspx/shoah%20et%20bande%20dessineacutee.pdf>

### **Table of Contents Weider Home Gym Manual 9628**

1. Understanding the eBook Weider Home Gym Manual 9628
  - The Rise of Digital Reading Weider Home Gym Manual 9628
  - Advantages of eBooks Over Traditional Books
2. Identifying Weider Home Gym Manual 9628
  - Exploring Different Genres
  - Considering Fiction vs. Non-Fiction
  - Determining Your Reading Goals
3. Choosing the Right eBook Platform
  - Popular eBook Platforms
  - Features to Look for in an Weider Home Gym Manual 9628
  - User-Friendly Interface
4. Exploring eBook Recommendations from Weider Home Gym Manual 9628
  - Personalized Recommendations

- Weider Home Gym Manual 9628 User Reviews and Ratings
- Weider Home Gym Manual 9628 and Bestseller Lists
- 5. Accessing Weider Home Gym Manual 9628 Free and Paid eBooks
  - Weider Home Gym Manual 9628 Public Domain eBooks
  - Weider Home Gym Manual 9628 eBook Subscription Services
  - Weider Home Gym Manual 9628 Budget-Friendly Options
- 6. Navigating Weider Home Gym Manual 9628 eBook Formats
  - ePub, PDF, MOBI, and More
  - Weider Home Gym Manual 9628 Compatibility with Devices
  - Weider Home Gym Manual 9628 Enhanced eBook Features
- 7. Enhancing Your Reading Experience
  - Adjustable Fonts and Text Sizes of Weider Home Gym Manual 9628
  - Highlighting and Note-Taking Weider Home Gym Manual 9628
  - Interactive Elements Weider Home Gym Manual 9628
- 8. Staying Engaged with Weider Home Gym Manual 9628
  - Joining Online Reading Communities
  - Participating in Virtual Book Clubs
  - Following Authors and Publishers Weider Home Gym Manual 9628
- 9. Balancing eBooks and Physical Books Weider Home Gym Manual 9628
  - Benefits of a Digital Library
  - Creating a Diverse Reading Collection Weider Home Gym Manual 9628
- 10. Overcoming Reading Challenges
  - Dealing with Digital Eye Strain
  - Minimizing Distractions
  - Managing Screen Time
- 11. Cultivating a Reading Routine Weider Home Gym Manual 9628
  - Setting Reading Goals Weider Home Gym Manual 9628
  - Carving Out Dedicated Reading Time
- 12. Sourcing Reliable Information of Weider Home Gym Manual 9628
  - Fact-Checking eBook Content of Weider Home Gym Manual 9628

- Distinguishing Credible Sources
- 13. Promoting Lifelong Learning
  - Utilizing eBooks for Skill Development
  - Exploring Educational eBooks
- 14. Embracing eBook Trends
  - Integration of Multimedia Elements
  - Interactive and Gamified eBooks

### **Weider Home Gym Manual 9628 Introduction**

In this digital age, the convenience of accessing information at our fingertips has become a necessity. Whether its research papers, eBooks, or user manuals, PDF files have become the preferred format for sharing and reading documents. However, the cost associated with purchasing PDF files can sometimes be a barrier for many individuals and organizations. Thankfully, there are numerous websites and platforms that allow users to download free PDF files legally. In this article, we will explore some of the best platforms to download free PDFs. One of the most popular platforms to download free PDF files is Project Gutenberg. This online library offers over 60,000 free eBooks that are in the public domain. From classic literature to historical documents, Project Gutenberg provides a wide range of PDF files that can be downloaded and enjoyed on various devices. The website is user-friendly and allows users to search for specific titles or browse through different categories. Another reliable platform for downloading Weider Home Gym Manual 9628 free PDF files is Open Library. With its vast collection of over 1 million eBooks, Open Library has something for every reader. The website offers a seamless experience by providing options to borrow or download PDF files. Users simply need to create a free account to access this treasure trove of knowledge. Open Library also allows users to contribute by uploading and sharing their own PDF files, making it a collaborative platform for book enthusiasts. For those interested in academic resources, there are websites dedicated to providing free PDFs of research papers and scientific articles. One such website is Academia.edu, which allows researchers and scholars to share their work with a global audience. Users can download PDF files of research papers, theses, and dissertations covering a wide range of subjects. Academia.edu also provides a platform for discussions and networking within the academic community. When it comes to downloading Weider Home Gym Manual 9628 free PDF files of magazines, brochures, and catalogs, Issuu is a popular choice. This digital publishing platform hosts a vast collection of publications from around the world. Users can search for specific titles or explore various categories and genres. Issuu offers a seamless reading experience with its user-friendly interface and allows users to download PDF files for offline reading. Apart from dedicated platforms, search engines also play a crucial role in finding free PDF files. Google, for instance, has an advanced

search feature that allows users to filter results by file type. By specifying the file type as "PDF," users can find websites that offer free PDF downloads on a specific topic. While downloading Weider Home Gym Manual 9628 free PDF files is convenient, it's important to note that copyright laws must be respected. Always ensure that the PDF files you download are legally available for free. Many authors and publishers voluntarily provide free PDF versions of their work, but it's essential to be cautious and verify the authenticity of the source before downloading Weider Home Gym Manual 9628. In conclusion, the internet offers numerous platforms and websites that allow users to download free PDF files legally. Whether it's classic literature, research papers, or magazines, there is something for everyone. The platforms mentioned in this article, such as Project Gutenberg, Open Library, Academia.edu, and Issuu, provide access to a vast collection of PDF files. However, users should always be cautious and verify the legality of the source before downloading Weider Home Gym Manual 9628 any PDF files. With these platforms, the world of PDF downloads is just a click away.

### **FAQs About Weider Home Gym Manual 9628 Books**

How do I know which eBook platform is the best for me? Finding the best eBook platform depends on your reading preferences and device compatibility. Research different platforms, read user reviews, and explore their features before making a choice. Are free eBooks of good quality? Yes, many reputable platforms offer high-quality free eBooks, including classics and public domain works. However, make sure to verify the source to ensure the eBook credibility. Can I read eBooks without an eReader? Absolutely! Most eBook platforms offer webbased readers or mobile apps that allow you to read eBooks on your computer, tablet, or smartphone. How do I avoid digital eye strain while reading eBooks? To prevent digital eye strain, take regular breaks, adjust the font size and background color, and ensure proper lighting while reading eBooks. What the advantage of interactive eBooks? Interactive eBooks incorporate multimedia elements, quizzes, and activities, enhancing the reader engagement and providing a more immersive learning experience. Weider Home Gym Manual 9628 is one of the best book in our library for free trial. We provide copy of Weider Home Gym Manual 9628 in digital format, so the resources that you find are reliable. There are also many Ebooks of related with Weider Home Gym Manual 9628. Where to download Weider Home Gym Manual 9628 online for free? Are you looking for Weider Home Gym Manual 9628 PDF? This is definitely going to save you time and cash in something you should think about. If you trying to find then search around for online. Without a doubt there are numerous these available and many of them have the freedom. However without doubt you receive whatever you purchase. An alternate way to get ideas is always to check another Weider Home Gym Manual 9628. This method for see exactly what may be included and adopt these ideas to your book. This site will almost certainly help you save time and effort, money and stress. If you are looking for free books then you really should consider finding to assist you

try this. Several of Weider Home Gym Manual 9628 are for sale to free while some are payable. If you arent sure if the books you would like to download works with for usage along with your computer, it is possible to download free trials. The free guides make it easy for someone to free access online library for download books to your device. You can get free download on free trial for lots of books categories. Our library is the biggest of these that have literally hundreds of thousands of different products categories represented. You will also see that there are specific sites catered to different product types or categories, brands or niches related with Weider Home Gym Manual 9628. So depending on what exactly you are searching, you will be able to choose e books to suit your own need. Need to access completely for Campbell Biology Seventh Edition book? Access Ebook without any digging. And by having access to our ebook online or by storing it on your computer, you have convenient answers with Weider Home Gym Manual 9628 To get started finding Weider Home Gym Manual 9628, you are right to find our website which has a comprehensive collection of books online. Our library is the biggest of these that have literally hundreds of thousands of different products represented. You will also see that there are specific sites catered to different categories or niches related with Weider Home Gym Manual 9628 So depending on what exactly you are searching, you will be able to choose ebook to suit your own need. Thank you for reading Weider Home Gym Manual 9628. Maybe you have knowledge that, people have search numerous times for their favorite readings like this Weider Home Gym Manual 9628, but end up in harmful downloads. Rather than reading a good book with a cup of coffee in the afternoon, instead they juggled with some harmful bugs inside their laptop. Weider Home Gym Manual 9628 is available in our book collection an online access to it is set as public so you can download it instantly. Our digital library spans in multiple locations, allowing you to get the most less latency time to download any of our books like this one. Merely said, Weider Home Gym Manual 9628 is universally compatible with any devices to read.

### **Find Weider Home Gym Manual 9628 :**

[shoah et bande dessineacutee](#)

**shop manual genesis coupe**

**sharp ht cn9900dvw home theater with dvd service manual**

**shl excel practice test**

[sharp lc 45gd4u tvs owners manual](#)

[shimadzu lc solution operation manual](#)

[shop manual excavator lc 210](#)

[sheet music piano simon and garfunkel sounds of silence](#)

[shimadzu class vp user manual](#)



sharp-md-ms7manual

*sharp sf 2040 sf d23 sf dm11 service manual*

**sheriff test study guide**

**sharp manual treadmill**

**sharp xl 60w xl 70w service manual**

*shona notes book 3*

### **Weider Home Gym Manual 9628 :**

**bcs v5 windows7 office 2010 secure4 khronos** - Jun 17 2023

jun 7 2023 referred bcs v5 windows7 office 2010 books that will find the money for you worth get the unquestionably best seller from us presently from several preferred authors this is similarly one of the elements by acquiring the digital documents of this bcs v5 windows7 office 2010 by online you could quickly fetch this bcs v5 windows7 office 2010

**bcs v5 windows7 office 2010 book smcapproved** - Sep 20 2023

bcs v5 windows7 office 2010 beginning sharepoint 2010 development steve fox 2010 05 14 discover how to take advantage of the many new features in sharepoint 2010 sharepoint 2010 is a significant leap forward from the 2007 release and you will find that there are a ton of features built into the platform for you to leverage in your solution

*bcs windows7 office 2010 mintxx top* - May 04 2022

services in sharepoint bcs v5 windows7 office 2010 ebook plesetsk org how to disable bcssync microsoft community download ms office 2010 pro 32 dan 64 bit bcs v5 windows7 office 2010 excido de microsoft office 2010 download bcs v5 windows7 office 2010 sdrees de download microsoft office 2010 full version crack

**bcs exe windows process what is it file net** - Sep 08 2022

bcs exe process in windows task manager the process known as visualware bcs belongs to software visualware bcs by visualware description bcs exe is not essential for windows and will often cause problems bcs exe is located in a subfolder of c program files x86 usually c program files x86 visualware bcs

**bcs v5 windows7 office 2010 speakings gestamp** - Nov 10 2022

jun 11 2023 bcs v5 windows7 office 2010 is obtainable in our novel assemblage an online access to it is set as public so you can get it instantly speakings gestamp com 1 2

*bcs v5 windows7 office 2010 pdf blueskywildlife* - Feb 01 2022

sep 11 2023 merely said the bcs v5 windows7 office 2010 pdf is universally compatible in imitation of any devices to read world of computing gerard o regan 2018 04 17 this engaging work provides a concise introduction to the exciting world of

computing encompassing the theory technology history and societal impact of computer software and computing

**bcs v5 windows7 office 2010 smtp ablogtowatch com** - Dec 11 2022

bcs v5 windows7 office 2010 downloaded from smtp ablogtowatch com by guest cali brycen sharepoint 2010 as a development platform pearson education analyzing how hacks are done so as to stop them in the future reverse engineering is the process of analyzing hardware or software and understanding it

**bcs v5 windows7 office 2010 pdf blueskywildlife** - Jul 18 2023

aug 20 2023 bcs v5 windows7 office 2010 pdf but stop up in harmful downloads rather than enjoying a good book following a mug of coffee in the afternoon otherwise they juggled with some harmful virus inside their computer bcs v5 windows7 office 2010 pdf is easy to get to in our digital library an online right of entry to it is set as public fittingly

*bcs v5 windows7 office 2010 htaccess guide* - May 16 2023

as this bcs v5 windows7 office 2010 it ends going on instinctive one of the favored books bcs v5 windows7 office 2010 collections that we have this is why you remain in the best website to look the incredible ebook to have machine learning kevin p murphy 2012 08 24 a comprehensive introduction to machine learning that uses probabilistic

**bcs v5 windows7 office 2010 duckhunter chevignon com co** - Jul 06 2022

bcs v5 windows7 office 2010 downloaded from duckhunter chevignon com co by guest yang jaylin giants of computing o reilly media inc this document is designed to be a resource for those linux users wishing to seek clarification on linux unix posix related terms and jargon at approximately 24000

*open bcs file file extensions org* - Jun 05 2022

the bcs file extension is associated with the microsoft windows 95 a 16 32 bit operating system for ibm pc compatible computers released in 1995 and discontinued in 2001 the bcs file stores browse information for the system this bcs file type entry was marked as obsolete and no longer supported file format this type of file is no longer actively used and is most likely

*bcs v5 windows7 office 2010 share docseducation* - Aug 07 2022

review bcs v5 windows7 office 2010 what you analogous to browse that's something that will lead you to understand even more in the region of the world knowledge some places past era pleasure and a lot more this bcs v5 windows7 office 2010 as one of the majority operating sellers here will wholly be joined by the best alternatives to

*css 105 bristol community college* - Mar 02 2022

download as pdf this course is designed to foster success in college by increasing students information technology skills topics include basic computer operation using microsoft office using email navigating blackboard utilizing group sharing applications finding and assessing internet resources handling basic hardware issues and

*bcs v5 windows7 office 2010 pdf 2023 ww gestudy byu edu* - Jan 12 2023

may 28 2023 thank you categorically much for downloading bcs v5 windows7 office 2010 pdf maybe you have knowledge that people have see numerous time for their favorite books in imitation of this bcs v5 windows7 office 2010 pdf but stop up in harmful downloads rather than enjoying a good book like a cup of coffee in the afternoon instead they juggled

[bcs v5 windows7 office 2010 uniport edu](#) - Feb 13 2023

may 29 2023 perception of this bcs v5 windows7 office 2010 can be taken as capably as picked to act bcs improving productivity using it cia training ltd 2009 05 01 a guide for the itq level 2 qualification it covers the ability to plan evaluate and improve procedures involving the use of it tools and systems to improve the

*what is bcs exe bcs exe info processchecker* - Apr 03 2022

bcs exe is known as bizerba communication server it also has the following name or connect brain or bcs or bcs or bcs and it is developed by bizerba gmbh co kg it is also developed by melange systems private limited bizerba se co kg waft rovalant we have seen about 28 different instances of bcs exe in different location

**bcs v5 windows7 office 2010 pdf pdf download sbrick** - Aug 19 2023

bcs v5 windows7 office 2010 pdf 1 1 downloaded from download sbrick com on january 20 2023 by guest bcs v5 windows7 office 2010 pdf eventually you will unconditionally discover a extra experience and endowment by spending more cash still when realize you recognize that you require to get those

*bcs v5 windows7 office 2010 mintxx top* - Oct 09 2022

bcs v5 windows7 office 2010 may 2nd 2018 download the free trial version below to get started double click the downloaded file to install the software dictionary com s list of every word of the year november 28th 2017 a list of every word of the year selection released by dictionary com dictionary com s first word of the year was chosen

**bcs v5 windows7 office 2010 uniport edu** - Mar 14 2023

bcs v5 windows7 office 2010 1 10 downloaded from uniport edu ng on april 24 2023 by guest bcs v5 windows7 office 2010 getting the books bcs v5 windows7 office 2010 now is not type of inspiring means you could not on your own going in the same way as ebook addition or library or borrowing from your connections to get into them

[bcs v5 windows7 office 2010 pdf uniport edu](#) - Apr 15 2023

aug 28 2023 bcs v5 windows7 office 2010 2 4 downloaded from uniport edu ng on august 28 2023 by guest microsoft office 2010 nita hewitt rutkosky 2011 marquee series microsoft office 2010 offers your students a quick hands on visual

[zwischen schreibmaschine und pileolus erinnerungen an meine](#) - Dec 08 2022

web zwischen schreibmaschine und pileolus erinnerungen an buchvorstellung zwischen schreibmaschine und pileolus in von münchen nach rom die tagespost don bruno gewährt auch private

[zwischen schreibmaschine und pileolus erinnerungen an meine](#) - Jan 29 2022

web jun 13 2023 zwischen schreibmaschine und pileolus erinnerungen an meine zeit als sekretär des hochwürdigsten herrn joseph kardinal ratzinger monographische mitteilungen institut papst benedikt xvi by bruno fink don bruno gewährt auch private einblicke mk online june 1st 2020 münchen herr sekretär habe ihn joseph ratzinger

**zwischen schreibmaschine und pileolus erinnerungen an meine** - May 13 2023

web zwischen schreibmaschine und pileolus erinnerungen an meine zeit als sekretär des hochwürdigsten herrn joseph kardinal ratzinger monographische mitteilungen institut papst benedikt xvi by bruno fink kreuzzeichen de may 21st 2020 und das ist die feste überzeugung dass jeder mensch ein kind gottes ist gleich an rechten gleich an würde

zwischen schreibmaschine und pileolus erinnerungen an meine - Aug 16 2023

web von münchen nach rom die tagespost buchvorstellung zwischen schreibmaschine und pileolus in zwischen schreibmaschine und pileolus 9783795431686 zwischen schreibmaschine und pileolus dienst an glaube und recht zvaß

zwischen schreibmaschine und pileolus erinnerungen an pileolus aussprache abnehmen mit

**ram gleichzeitig lesen schreiben roboternetz forum** - Mar 31 2022

web jun 2 2005 2 eine logik zwischen speicher und den ucontrollern setzen welche den cs chip select an den speicher erzeugt und dafür sorgt das die zugriffe arbitriert werden je nach dem speicherzugriffsprotokoll der beteiligten busmaster müsste man adressen und steuerleitungen latches

**zwischen schreibmaschine und pileolus erinnerungen an meine** - Feb 10 2023

web zwischen schreibmaschine und pileolus 9783795431686 zwischen schreibmaschine und pileolus zwischen schreibmaschine und pileolus katholisch may 19th 2020 zwischen schreibmaschine und pileolus erinnerungen an meine zeit als sekretär des hochwürdigsten herrn joseph kardinal ratzinger monographische mitteilungen institut

zwischen schreibmaschine und pileolus erinnerungen an meine - Jul 15 2023

web schreibmaschine und pileolus buch zwischen schreibmaschine und pileolus von münchen nach rom die tagespost einföhrung in das christentum von ratzinger joseph suchergebnis auf de für pileolus verlag schnell und steiner buchvorstellung zwischen

**zwischen schreibmaschine und pileolus erinnerungen an meine** - Aug 04 2022

web bruno fink kreuzzeichen de zwischen schreibmaschine und pileolus zwischen schreibmaschine und pileolus don bruno gewährt auch private einblicke mk online zwischen schreibmaschine und pileolus katholisch schulungsbuch diabetes buch von gerhard walter schmeisl schreibmaschinen mehr als 1000 angebote fotos preise

eine schreibmaschine verwenden 14 schritte mit bildern - May 01 2022

web eine schreibmaschine verwenden auf den ersten blick können schreibmaschinen verwirrend und frustrierend wirken eine schreibmaschine zu verwenden ist aber einfach wenn du den bogen raus hast um die schreibmaschine zu bedienen musst

du

**zwischen Schreibmaschine und Pileoluserinnerungen** - Sep 05 2022

web schreibmaschine ein blick auf ihre geschichte und die technik dahinter zwischen schreibmaschine und pileolus  
erinnerungen pdf peter nov 27 2021 3 nicknamed 39 god 39 s rottweiler 39 he proved to be intransigent on the controversial  
issues of abortion contraception gay rights and gay marriage but elected pope in 2005

**zwischen schreibmaschine und pileolus erinnerungen an meine** - Jan 09 2023

web jun 8 2023 9783795431686 zwischen schreibmaschine und pileolus von münchen nach rom die tagespost institut papst  
benedikt xvi monographische beiträge mmipb einföhrung in das christentum von ratzinger joseph papsttum amp päpste  
bücher online bestellen orell füssli zwischen schreibmaschine und pileolus von bruno fink dienst

*schreib lese speicher wikipedia* - Jul 03 2022

web schreib lese speicher unter schreib lese speicher auch schreib lese speicher versteht man einen datenspeicher der  
sowohl gelesen als auch leicht und häufig beschrieben werden kann oft wird dafür auch die bezeichnung ram random access  
memory speicher mit wahlfreiem zugriff verwendet aber genau genommen sagt diese

**zwischen schreibmaschine und pileolus erinnerungen** - Oct 06 2022

web aug 7 2023 zwischen schreibmaschine und pileolus erinnerungen zwischen schreibmaschine und pileolus erinnerungen 3  
downloaded from sitemap cial com on 2020 10 31 by guest volumes of memoirs kung has written a much shorter and more  
personal book to explain his own beliefs if one sets aside all scientific knowledge and

**zwischen schreibmaschine und pileolus erinnerungen an meine** - Dec 28 2021

web 3168 6 19 95 schnell und steiner de zwischen schreibmaschine und pileolus erinnerungen an may 5th 2020 zwischen  
schreibmaschine und pileolus erinnerungen an meine zeit als sekretär des hochwürdigsten herrn joseph kardinal ratzinger  
monographische mitteilungen institut papst benedikt xvi von bruno fink taschenbuch bei

*zwischen schreibmaschine und pileolus erinnerungen an meine* - Jun 14 2023

web suchergebnis auf de für pileolus kreuzzeichen de zwischen schreibmaschine und pileolus zwischen schreibmaschine und  
pileolus von bruno fink bruno fink festakt im apostolischen palast anlässlich des 65 jährigen 9783795431686 zwischen  
schreibmaschine und pileolus institut papst benedikt xvi monographische beiträge

schreibmaschine schreiben synonym alle synonyme - Jun 02 2022

web synonyme für schreibmaschine schreiben 5 gefundene synonyme 2 verschiedene bedeutungen für schreibmaschine  
schreiben Ähnliches anderes wort für schreibmaschine schreiben die korrekte schreibweise ist schreibmaschine schreiben  
außerdem findest du wörter die vor und nach schreibmaschine schreiben stehen

**alte schreibmaschine so benutzen sie sie helpster** - Feb 27 2022

web so schreiben sie auf der schreibmaschine zunächst sollten sie sicherstellen dass das farbband noch funktionstüchtig ist oder es gegen ein frisches austauschen es gibt schwarze und mehrfarbige bänder wobei sich die farbe dann über einen speziellen hebel einstellen lässt lösen sie die walze legen einen bogen papier gerade ein und

[zwischen schreibmaschine und pileolus verlag schnell steiner](#) - Mar 11 2023

web in den warenkorb lieferzeit ca 2 3 werktage reihe monographische beiträge zu den mitteilungen institut papst benedikt xvi bandnummer 3 1 auflage 2016 116 seiten 16 x 24 cm 13 abbildungen fadengeheftet erscheinungstermin 28 juni

**zwischen schreibmaschine und pileolus erinnerungen an meine** - Nov 07 2022

web zwischen schreibmaschine und pileolus erinnerungen an meine zeit als sekretär des hochwürdigsten herrn joseph kardinal ratzinger monographische mitteilungen institut papst benedikt xvi by bruno fink may 23rd 2020 digital resources zion bryce canyon national parks lonely planet travel guide zionism in the age of the dictators zions

*zwischen schreibmaschine und pileolus erinnerungen an meine* - Apr 12 2023

web zwischen schreibmaschine und pileolus erinnerungen an meine zeit als sekretär des hochwürdigsten herrn joseph kardinal ratzinger monographische mitteilungen institut papst benedikt xvi by bruno fink scheidelkappchen amtstracht informationen was may 27th 2020 pileolus scheidelkappchen zucchetto auch zucchetto soli deo lateinisch

*pattern cutting made easy a step by step introduction* - Feb 08 2023

web pattern cutting made easy a step by step introduction to dressmaking by holman gillian and a great selection of related books art and collectibles available now at abebooks com

*pattern cutting made easy a step download free books about* - Mar 29 2022

web pattern cutting made easy a step free pdf s about pattern cutting made easy a step or u collections that we have this is why you remain in the best website to look the

[pattern cutting made easy a step by step introduction](#) - Aug 14 2023

web 112 pages 28 cm focusing on simple and concise explanations of techniques that can often seem daunting this introduction to pattern cutting starts with the basics and has

[pattern cutting made easy a step by step introduction](#) - Apr 10 2023

web pattern cutting made easy a step by step introduction to dressmaking holman gillian 9781849940733 books amazon ca [download solutions pattern cutting made easy a step download](#) - May 31 2022

web pattern cutting made easy a step download free books about covers all the basic steps of designing patterns including art manipulation and garment styling features

**tags pattern cutting made yumpu** - Nov 24 2021

web capably as evaluation pattern cutting made easy a step download free books about pattern cutting made easy a step or u

what you similar to to read pattern cutting

**pattern cutting made easy a book by gillian holman** - Apr 29 2022

web jul 13 2023 this pattern cutting made easy a step download free pdf books about pattern cutting made easy a step or u pdf but end stirring in harmful downloads

*pattern cutting made easy by gillian holman open library* - Jun 12 2023

web apr 17 2023 pattern cutting made easy a step by step introduction to dressmaking 2013 pavilion books batsford sterling publishing in english

**pattern cutting made easy a step download free books about** - Sep 22 2021

read pattern cutting made easy a step by step introduction - Mar 09 2023

web buy pattern cutting made easy a step by step introduction to dressmaking reprint by holman gillian isbn 9781849940733 from amazon s book store everyday low

**pattern cutting made easy a step download free books about** - Oct 24 2021

**pattern cutting made easy yumpu** - Aug 02 2022

web mar 26 2023 a step download free pdf books about pattern cutting made easy a step or u pdf that can be your partner pattern cutting made easy gillian holman

*pattern cutting made easy by gillian holman open library* - Dec 26 2021

web pattern cutting made easy a step download free books about pattern cutting made easy a step or u pattern cutting made easy a step download free books about

*15 cutting and sewing books for free pdf infobooks org* - Oct 04 2022

web self publishing login to yumpu news login to yumpu publishing

*pattern cutting made easy abebooks* - Dec 06 2022

web 1 usha tailoring course usha read download 2 practical sewing and dressmaking sara may allington read download 3 learn to design your own clothes judith

*pattern cutting made easy a step by step introduction* - May 11 2023

web self publishing login to yumpu news login to yumpu publishing

get 50 free sewing books easily free sewing - Nov 05 2022

web nov 4 2022 regular print book physical description 112 pages illustrations 28 cm date acquired july 3 2013 more creator details gillian holman contents note skirt

[pattern cutting made easy a step free pdf s about pattern](#) - Jan 27 2022

web self publishing login to yumpu news login to yumpu publishing

[pattern cutting made easy a step by step introduction google](#) - Jul 13 2023

web b t batsford 1997 crafts hobbies 112 pages focusing on simple and concise explanations of techniques that can often seem daunting this introduction to pattern

**pattern cutting made easy a step download free pdf books** - Feb 25 2022

web jun 30 2003 pattern cutting made easy by gillian holman june 30 2003 batsford edition paperback in english

**pattern cutting made easy a step download free books about** - Jul 01 2022

web by gillian holman see customer reviews starting with the basic blocks for skirts and bodices and also a jacket and trouser block gillian holman shows you how to add the

**pattern cutting made easy a step by step introduction** - Sep 03 2022

web pattern cutting made easy a step download free books about pattern cutting made easy a step or u 2 downloaded from nysm pfi org on 2022 11 11 by guest a nationally

[pattern cutting made easy a step by step introduction](#) - Jan 07 2023

web jan 11 2023 besides you can check out similar free sewing book initiatives by your sewing machine brand as well 3 get free sewing patterns locally if you have access