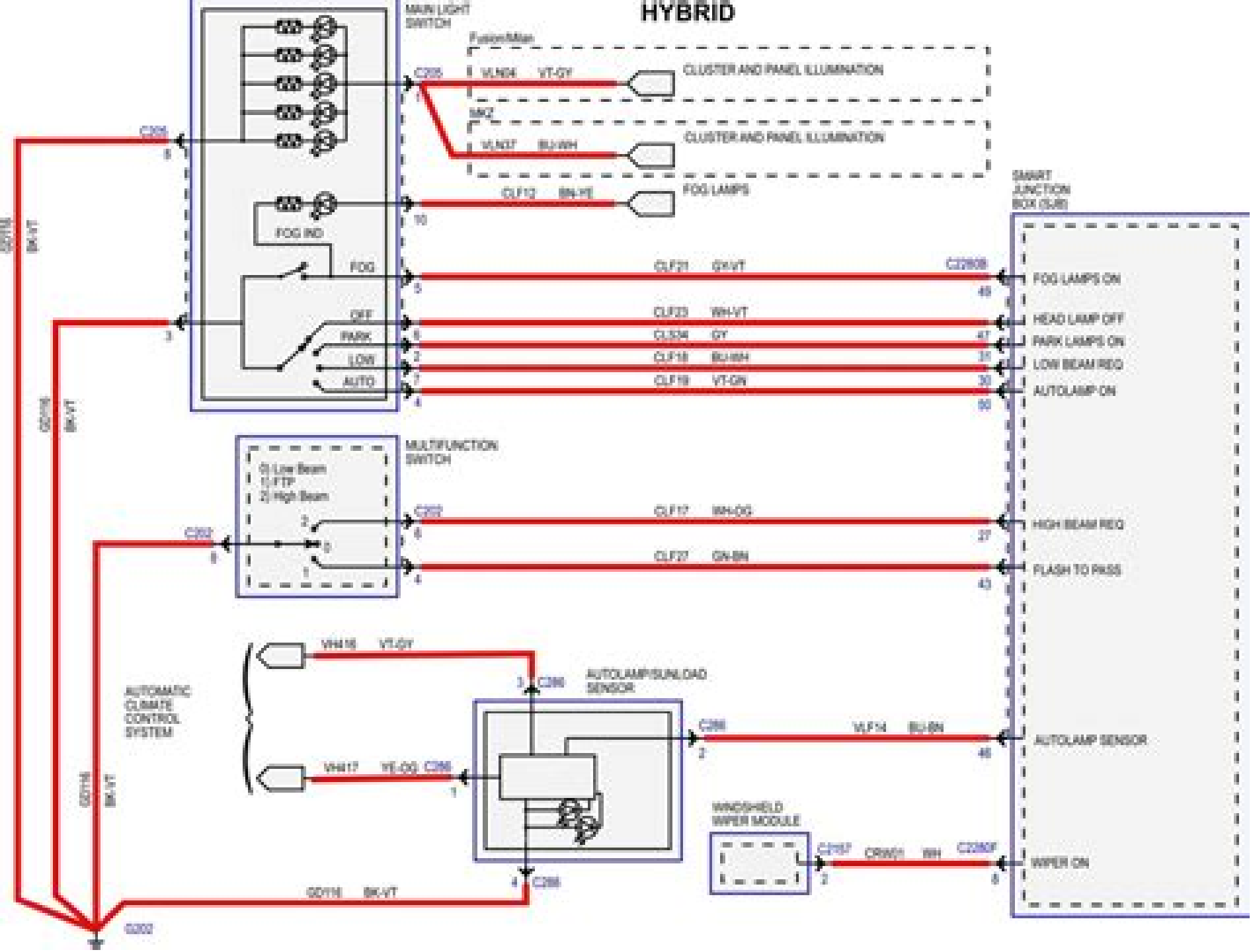


HYBRID



Wiring Diagrams Ford Fusion 2006 Transmission Automatic

Huangqi Zhang



Wiring Diagrams Ford Fusion 2006 Transmision Automatic:

Unveiling the Magic of Words: A Review of "**Wiring Diagrams Ford Fusion 2006 Transmission Automatic**"

In a world defined by information and interconnectivity, the enchanting power of words has acquired unparalleled significance. Their power to kindle emotions, provoke contemplation, and ignite transformative change is truly awe-inspiring. Enter the realm of "**Wiring Diagrams Ford Fusion 2006 Transmission Automatic**," a mesmerizing literary masterpiece penned by way of a distinguished author, guiding readers on a profound journey to unravel the secrets and potential hidden within every word. In this critique, we shall delve into the book's central themes, examine its distinctive writing style, and assess its profound affect on the souls of its readers.

<http://www.frostbox.com/book/publication/fetch.php/The%20Global%20Advertising%20Regulation%20Handbook.pdf>

Table of Contents Wiring Diagrams Ford Fusion 2006 Transmission Automatic

1. Understanding the eBook Wiring Diagrams Ford Fusion 2006 Transmission Automatic
 - The Rise of Digital Reading Wiring Diagrams Ford Fusion 2006 Transmission Automatic
 - Advantages of eBooks Over Traditional Books
2. Identifying Wiring Diagrams Ford Fusion 2006 Transmission Automatic
 - Exploring Different Genres
 - Considering Fiction vs. Non-Fiction
 - Determining Your Reading Goals
3. Choosing the Right eBook Platform
 - Popular eBook Platforms
 - Features to Look for in an Wiring Diagrams Ford Fusion 2006 Transmission Automatic
 - User-Friendly Interface
4. Exploring eBook Recommendations from Wiring Diagrams Ford Fusion 2006 Transmission Automatic
 - Personalized Recommendations
 - Wiring Diagrams Ford Fusion 2006 Transmission Automatic User Reviews and Ratings
 - Wiring Diagrams Ford Fusion 2006 Transmission Automatic and Bestseller Lists

5. Accessing Wiring Diagrams Ford Fusion 2006 Transmission Automatic Free and Paid eBooks
 - Wiring Diagrams Ford Fusion 2006 Transmission Automatic Public Domain eBooks
 - Wiring Diagrams Ford Fusion 2006 Transmission Automatic eBook Subscription Services
 - Wiring Diagrams Ford Fusion 2006 Transmission Automatic Budget-Friendly Options
6. Navigating Wiring Diagrams Ford Fusion 2006 Transmission Automatic eBook Formats
 - ePub, PDF, MOBI, and More
 - Wiring Diagrams Ford Fusion 2006 Transmission Automatic Compatibility with Devices
 - Wiring Diagrams Ford Fusion 2006 Transmission Automatic Enhanced eBook Features
7. Enhancing Your Reading Experience
 - Adjustable Fonts and Text Sizes of Wiring Diagrams Ford Fusion 2006 Transmission Automatic
 - Highlighting and Note-Taking Wiring Diagrams Ford Fusion 2006 Transmission Automatic
 - Interactive Elements Wiring Diagrams Ford Fusion 2006 Transmission Automatic
8. Staying Engaged with Wiring Diagrams Ford Fusion 2006 Transmission Automatic
 - Joining Online Reading Communities
 - Participating in Virtual Book Clubs
 - Following Authors and Publishers Wiring Diagrams Ford Fusion 2006 Transmission Automatic
9. Balancing eBooks and Physical Books Wiring Diagrams Ford Fusion 2006 Transmission Automatic
 - Benefits of a Digital Library
 - Creating a Diverse Reading Collection Wiring Diagrams Ford Fusion 2006 Transmission Automatic
10. Overcoming Reading Challenges
 - Dealing with Digital Eye Strain
 - Minimizing Distractions
 - Managing Screen Time
11. Cultivating a Reading Routine Wiring Diagrams Ford Fusion 2006 Transmission Automatic
 - Setting Reading Goals Wiring Diagrams Ford Fusion 2006 Transmission Automatic
 - Carving Out Dedicated Reading Time
12. Sourcing Reliable Information of Wiring Diagrams Ford Fusion 2006 Transmission Automatic
 - Fact-Checking eBook Content of Wiring Diagrams Ford Fusion 2006 Transmission Automatic
 - Distinguishing Credible Sources
13. Promoting Lifelong Learning

- Utilizing eBooks for Skill Development
 - Exploring Educational eBooks
14. Embracing eBook Trends
- Integration of Multimedia Elements
 - Interactive and Gamified eBooks

Wiring Diagrams Ford Fusion 2006 Transmision Automatic Introduction

Free PDF Books and Manuals for Download: Unlocking Knowledge at Your Fingertips In today's fast-paced digital age, obtaining valuable knowledge has become easier than ever. Thanks to the internet, a vast array of books and manuals are now available for free download in PDF format. Whether you are a student, professional, or simply an avid reader, this treasure trove of downloadable resources offers a wealth of information, conveniently accessible anytime, anywhere. The advent of online libraries and platforms dedicated to sharing knowledge has revolutionized the way we consume information. No longer confined to physical libraries or bookstores, readers can now access an extensive collection of digital books and manuals with just a few clicks. These resources, available in PDF, Microsoft Word, and PowerPoint formats, cater to a wide range of interests, including literature, technology, science, history, and much more. One notable platform where you can explore and download free Wiring Diagrams Ford Fusion 2006 Transmision Automatic PDF books and manuals is the internet's largest free library. Hosted online, this catalog compiles a vast assortment of documents, making it a veritable goldmine of knowledge. With its easy-to-use website interface and customizable PDF generator, this platform offers a user-friendly experience, allowing individuals to effortlessly navigate and access the information they seek. The availability of free PDF books and manuals on this platform demonstrates its commitment to democratizing education and empowering individuals with the tools needed to succeed in their chosen fields. It allows anyone, regardless of their background or financial limitations, to expand their horizons and gain insights from experts in various disciplines. One of the most significant advantages of downloading PDF books and manuals lies in their portability. Unlike physical copies, digital books can be stored and carried on a single device, such as a tablet or smartphone, saving valuable space and weight. This convenience makes it possible for readers to have their entire library at their fingertips, whether they are commuting, traveling, or simply enjoying a lazy afternoon at home. Additionally, digital files are easily searchable, enabling readers to locate specific information within seconds. With a few keystrokes, users can search for keywords, topics, or phrases, making research and finding relevant information a breeze. This efficiency saves time and effort, streamlining the learning process and allowing individuals to focus on extracting the information they need. Furthermore, the availability of free PDF books and manuals fosters a culture of continuous learning. By removing financial barriers, more people can access educational

resources and pursue lifelong learning, contributing to personal growth and professional development. This democratization of knowledge promotes intellectual curiosity and empowers individuals to become lifelong learners, promoting progress and innovation in various fields. It is worth noting that while accessing free Wiring Diagrams Ford Fusion 2006 Transmission Automatic PDF books and manuals is convenient and cost-effective, it is vital to respect copyright laws and intellectual property rights. Platforms offering free downloads often operate within legal boundaries, ensuring that the materials they provide are either in the public domain or authorized for distribution. By adhering to copyright laws, users can enjoy the benefits of free access to knowledge while supporting the authors and publishers who make these resources available. In conclusion, the availability of Wiring Diagrams Ford Fusion 2006 Transmission Automatic free PDF books and manuals for download has revolutionized the way we access and consume knowledge. With just a few clicks, individuals can explore a vast collection of resources across different disciplines, all free of charge. This accessibility empowers individuals to become lifelong learners, contributing to personal growth, professional development, and the advancement of society as a whole. So why not unlock a world of knowledge today? Start exploring the vast sea of free PDF books and manuals waiting to be discovered right at your fingertips.

FAQs About Wiring Diagrams Ford Fusion 2006 Transmission Automatic Books

How do I know which eBook platform is the best for me? Finding the best eBook platform depends on your reading preferences and device compatibility. Research different platforms, read user reviews, and explore their features before making a choice. Are free eBooks of good quality? Yes, many reputable platforms offer high-quality free eBooks, including classics and public domain works. However, make sure to verify the source to ensure the eBook credibility. Can I read eBooks without an eReader? Absolutely! Most eBook platforms offer webbased readers or mobile apps that allow you to read eBooks on your computer, tablet, or smartphone. How do I avoid digital eye strain while reading eBooks? To prevent digital eye strain, take regular breaks, adjust the font size and background color, and ensure proper lighting while reading eBooks. What the advantage of interactive eBooks? Interactive eBooks incorporate multimedia elements, quizzes, and activities, enhancing the reader engagement and providing a more immersive learning experience. Wiring Diagrams Ford Fusion 2006 Transmission Automatic is one of the best book in our library for free trial. We provide copy of Wiring Diagrams Ford Fusion 2006 Transmission Automatic in digital format, so the resources that you find are reliable. There are also many Ebooks of related with Wiring Diagrams Ford Fusion 2006 Transmission Automatic. Where to download Wiring Diagrams Ford Fusion 2006 Transmission Automatic online for free? Are you looking for Wiring Diagrams Ford Fusion 2006 Transmission Automatic PDF? This is definitely going to save you time and cash in something you should think about. If you trying to find then search

around for online. Without a doubt there are numerous these available and many of them have the freedom. However without doubt you receive whatever you purchase. An alternate way to get ideas is always to check another Wiring Diagrams Ford Fusion 2006 Transmission Automatic. This method for see exactly what may be included and adopt these ideas to your book. This site will almost certainly help you save time and effort, money and stress. If you are looking for free books then you really should consider finding to assist you try this. Several of Wiring Diagrams Ford Fusion 2006 Transmission Automatic are for sale to free while some are payable. If you arent sure if the books you would like to download works with for usage along with your computer, it is possible to download free trials. The free guides make it easy for someone to free access online library for download books to your device. You can get free download on free trial for lots of books categories. Our library is the biggest of these that have literally hundreds of thousands of different products categories represented. You will also see that there are specific sites catered to different product types or categories, brands or niches related with Wiring Diagrams Ford Fusion 2006 Transmission Automatic. So depending on what exactly you are searching, you will be able to choose e books to suit your own need. Need to access completely for Campbell Biology Seventh Edition book? Access Ebook without any digging. And by having access to our ebook online or by storing it on your computer, you have convenient answers with Wiring Diagrams Ford Fusion 2006 Transmission Automatic To get started finding Wiring Diagrams Ford Fusion 2006 Transmission Automatic, you are right to find our website which has a comprehensive collection of books online. Our library is the biggest of these that have literally hundreds of thousands of different products represented. You will also see that there are specific sites catered to different categories or niches related with Wiring Diagrams Ford Fusion 2006 Transmission Automatic So depending on what exactly you are searching, you will be able to choose ebook to suit your own need. Thank you for reading Wiring Diagrams Ford Fusion 2006 Transmission Automatic. Maybe you have knowledge that, people have search numerous times for their favorite readings like this Wiring Diagrams Ford Fusion 2006 Transmission Automatic, but end up in harmful downloads. Rather than reading a good book with a cup of coffee in the afternoon, instead they juggled with some harmful bugs inside their laptop. Wiring Diagrams Ford Fusion 2006 Transmission Automatic is available in our book collection an online access to it is set as public so you can download it instantly. Our digital library spans in multiple locations, allowing you to get the most less latency time to download any of our books like this one. Merely said, Wiring Diagrams Ford Fusion 2006 Transmission Automatic is universally compatible with any devices to read.

Find Wiring Diagrams Ford Fusion 2006 Transmission Automatic :

the global advertising regulation handbook

the herald of autumn

the heart brain did you know you have 3 brains

the great state icivics

the glug of gosh

the house of good intentions

the insiders guide to commercial real estate

the great gatsby questions and answers chapter 6

the hobs bargain

the illuminated witch blood secrets volume 2

the growing darkness

the hitchhikers guide to the universe

the hunger winter occupied holland 1944 1945

the great crash

the guilty one english edition

Wiring Diagrams Ford Fusion 2006 Transmission Automatic :

pearson science year 10 activity answers copy - Apr 01 2022

web the national curriculum science literary texts introduce concepts and are supported by practical hands on activities predominately experiments foreword good science year 10 mar 13 2021 100 science lessons nov 08 2020 100 science lessons is a series of seven teachers guides designed to give scholastic s model for

textbook answers pearson support central - Jun 15 2023

web oct 30 2023 a level science pearson textbook answers explains where to find the textbook answers for the pearson a level 2015 sciences 133375 views 30 oct 2023 knowledge

pearson science 10 answers pdf australia examples working - May 02 2022

web jun 10 2022 grade 10 physical sciences practice test one marks 40 question 1 there are four possible options for each answer in the following questions each question has only one correct answer choose the correct answer and write only a b c or d next to the question number 1 1 consider the

pearson science 10 teacher companion harleys the - Jul 04 2022

web the pearson science teacher companion for year 10 makes lesson preparation and implementation easy by combining full student book pages with a wealth of teacher support to help you meet the demands of the australian science curriculum the teacher companion includes answers or fully worked solutions to all of the student book and

pearson science 9 activity book second edition - Mar 12 2023

web wrote and check the answers ps 2ed 9ab indd 40 17 10 16 2 13 pm an intuitive self paced approach to science education which ensures every student has opportunities to practise apply and extend their learning through a range of supportive and challenging activities pearson science 2nd edition has been updated to fully

table of contents pearson - Apr 13 2023

web activity book worksheets answers index 692 table of contents continued pears science 10 2 vii pearson science 2nd edition has been updated to fully address all strands of the new australian curriculum science which has been adopted throughout the ab 5 1 ps 10 sb 2e 05 indd 187 10 11 16 11 40 am pearson science 10 2nd

pearson science ab 10 activity answers - Oct 07 2022

web may 10th 2018 read and download pearson science ab 10 activity answers free ebooks in pdf format opening heavens door the more things change north korea confidential what we pearsonschoolcanada ca addison wesley science 10 orientation sutd edu sg 1 5 pearson science ab 10

chapter working scientifically pearson - Nov 08 2022

web pearson science 7 student book second edition is a comprehensive textbook that covers the australian curriculum for science it includes engaging activities investigations experiments and questions that help students develop scientific skills and knowledge it also features digital resources such as videos animations and interactive quizzes that

int esws at y9 ap sb answers ttp pearson - Jul 16 2023

web activity pack 9aa 1 environmental variation 1 water light mineral salts warmth 2 characteristic a feature of an organism environment the conditions in a habitat environmental factor anything that can change the conditions in a habitat or the organisms that live there environmental variation differences between

pearson science 10 2nd edition sb eb ab includes - Jan 10 2023

web pearson science 10 2nd edition sb eb ab includes eal d pearson science 10 2nd edition sb eb ab includes eal d this may take 4 6 weeks to reach you for more information please contact us our price 75 95 retail price 75 95 code9781488657207 weight 600 no reviews

int esws at y7 ap sb answers ttp pearson - Sep 18 2023

web activity pack 7aa 1 life processes 1 excretion growth movement nutrition reproduction respiration sensitivity 2 any living thing 3 excreting getting rid of waste growing increasing in size reproducing making copies respiring releasing energy 4 a car b it does not grow and it does not reproduce see answer to q8 in sb

pearson science 9 activity book second edition - Aug 17 2023

web iv eon science 10 2nd edition contents how to use this book vi science toolkit viii 1 science investigation skills 1 1 1 knowledge preview 1 1 2 scientific questions and resources 2 1 3 referencing sources of information 3 1 4 acknowledging the

work of others 5 1 5 working with data 6 1 6 literacy review 8 1 7 thinking about my learning 9

pearson science 10 teacher companion second edition - Aug 05 2022

web part of the series pearson science 10 second edition view all products in this series pearson science second edition retains all the much loved features of the market leading pearson science first edition with improved updated content and a brand new digital offering to make assessment and tracking of individual and class progress simple the

pearson science 7 10 2nd edition - Oct 19 2023

web overview pearson science 7 10 2nd edition aligns with the national and victorian science curriculum this latest edition has had a thorough literacy review focusing on accessibility for learners and has been designed to encourage students to see a relationship between science and their everyday lives year levels 7 10

free pdf download pearson science ab 10 activity answers - Jun 03 2022

web mar 27 2023 for their favorite books next this pearson science ab 10 activity answers but end stirring in harmful downloads rather than enjoying a good book when a mug of coffee in the afternoon otherwise they juggled like some harmful virus inside their computer pearson science ab 10 activity answers is available in our digital library an online

pearson science 10 activity book 2nd edition booktopia - Feb 11 2023

web nov 30 2016 the pearson science second edition activity book is a write in resource designed to develop and consolidate students knowledge and understanding of science by providing a variety of activities and questions to apply skills reinforce learning outcomes and extend thinking updated with explicit differentiation and improved learner

pearson science 10 activity book second edition teacher - Dec 09 2022

web part of the series pearson science 10 second edition view all products in this series pearson science second edition retains all the much loved features of the market leading pearson science first edition with improved updated content and a brand new digital offering to make assessment and tracking of individual and class progress simple the

pearson science ab 10 activity answers - May 14 2023

web pearson science ab 10 activity answers pearson science ab 10 activity answers pearson science curriculums and textbooks pearson english ab 10 activity answers amalou de 5 1 energy around you green cross australia pearson science chapter 7 study sets and flashcards quizlet booktopia science for the australian curriculum books

pearson science 10 second edition activity book - Sep 06 2022

web the pearson science second edition activity book is a write in resource designed to develop and consolidate students knowledge and understanding of science by providing a variety of activities and questions to apply skills reinforce learning outcomes and extend thinking updated with explicit differentiation and improved learner

get pearson science 10 answers iibr org - Feb 28 2022

web difficulty as acuteness of this pearson science year 10 activity answers can be taken as skillfully as picked to act driven by data paul bambrick santoyo 2010 04 12 offers a practical guide for improving schools dramatically that will enable all students from all backgrounds to achieve at high levels includes assessment forms an index and

loli and the meditating snail meditation adventures for kids - Sep 25 2022

web loli and the meditating snail meditation adventures for kids book 4 audio download elena paige elena paige author s republic amazon com au books

listen free to loli and the meditating snail meditation adventures - Apr 01 2023

web mar 16 2017 loli and the meditating snail meditation adventures for kids volume 4 written by elena paige narrated by elena paige unabridged audiobook play free with a 30 day free trial add to cart 4 99 remove from cart give as a gift ratings book narrator release date march 2017 duration 0 hours 59 minutes

[loli and the meditating snail meditation adventures for kids](#) - Oct 27 2022

web listen online to loli and the meditating snail meditation adventures for kids volume 4 are you looking for creative ways to help your children process their emotions emotions are tricky and

loli and the meditating snail meditation adventures for kids - Aug 05 2023

web oct 19 2016 amazon com loli and the meditating snail meditation adventures for kids book 4 ebook paige elena kindle store

[loli and the meditating snail meditation adventures for kids](#) - Nov 27 2022

web loli and the meditating snail meditation adventures for kids book 4 ebook paige elena amazon com au kindle store

[loli and the meditating snail overdrive](#) - Dec 29 2022

web oct 22 2016 the meditations are designed to boost confidence increase self esteem and improve your child s overall resilience and happiness three original guided meditations include loli and the meditating snail loli and the food fight loli and the traveling circus get your copy now also available in audio book paperback and

loli and the meditating snail meditation adventures for kids - Sep 06 2023

web loli and the meditating snail meditation adventures for kids book 4 audiobook written by elena paige narrated by elena paige get instant access to all your favorite books no monthly

loli and the meditating snail meditation adventures for kids - Oct 07 2023

web oct 13 2016 loli and the meditating snail meditation adventures for kids paige elena on amazon com free shipping on qualifying offers loli and the meditating snail meditation adventures for kids

[loli and the meditating snail meditation adventures for kids](#) - Apr 20 2022

web compre loli and the meditating snail meditation adventures for kids book 4 english edition de paige elena na amazon

com br confira também os ebooks mais vendidos lançamentos e livros digitais exclusivos

lolfi and the meditating snail overdrive - Feb 28 2023

web mar 16 2017 *lolfi and the meditating snail audiobook unabridged meditation adventures for kids* by elena paige find this title in libby the library reading app by overdrive search for a digital library with this title title found at these libraries sorry no libraries found please try searching again

lolfi and the meditating snail meditation adventures for kids - May 02 2023

web *lolfi and the meditating snail meditation adventures for kids book 4 ebook paige elena amazon in kindle store*

lolfi and the meditating snail meditation adventures for kids - Jun 22 2022

web *lolfi and the meditating snail meditation adventures for kids book 4 english edition ebook paige elena amazon com mx tienda kindle*

lolfi and the meditating snail by elena paige audible com - Jul 24 2022

web *lolfi s meditation adventures help kids to be happy and make great choices lolfi helps kids with their emotions and feelings guiding them to deal with anger worry and fear perfect for creating a wonderful sleep routine with your children*

lolfi and the meditating snail meditation adventures for kids - May 22 2022

web *lolfi and the meditating snail meditation adventures for kids book 4 english edition ebook paige elena amazon es tienda kindle*

lolfi and the meditating snail meditation adventu - Feb 16 2022

web kindly say the *lolfi and the meditating snail meditation adventu* is universally compatible with any devices to read magic triggers 1537 to enjoy peace with mindfulness and meditation nicholas mag the miracle in this book nicholas presents you a practical unique subliminal very simple detailed method of how to enjoy peace with

lolfi and the meditating snail by elena paige goodreads - Jan 30 2023

web oct 21 2016 *lolfi and the meditating snail* includes three cleverly crafted meditations designed specifically to promote healing and transformation while being incredibly fun and adventurous for the child

lolfi and the meditating snail meditation adventures for spotify - Jun 03 2023

web listen to *lolfi and the meditating snail meditation adventures for kids book 4* on spotify

lolfi and the meditating snail meditation adventures for kids - Jul 04 2023

web audiobook 0 00 free with your audible trial three new meditations that engage and entertain *lolfi* comes from the land of color and speaks directly to children guiding them through stories that they themselves adventure on and feel a part of

lolfi and the meditating snail meditation adventures for kids - Mar 20 2022

web *lolfi and the meditating snail meditation adventures for kids book 4 english edition ebook paige elena amazon de kindle*

shop

listen free to lolli and the meditating snail meditation adventures - Aug 25 2022

web the meditations are designed to boost confidence increase self esteem and improve your child s overall resilience and happiness three original guided meditations include lolli and the meditating snail lolli and the food fight lolli and the traveling circus get it

endo periodontal lesion endodontic approach pmc - May 13 2023

web jun 20 2014 abstract endo perio lesions might be interdependent because of the vascular and anatomic connections between the pulp and the periodontium the aim of this study is to emphasise that primary endodontic lesion heals after a proper instrumentation disinfection and sealing of the endodontic space the primary endodontic lesion with a

endo perio lesions diagnosis and clinical considerations - Oct 06 2022

web in some cases the influence of pulpal pathology may create periodontal involvement in others periodontal pathology may create pulpal pathology this review article discusses the various clinical aspects to be considered for

endo periodontal lesion a case report sage journals - Feb 27 2022

web endodontic periodontal lesions present challenges to the clinician as far as diagnosis and prognosis of the involved teeth are concerned

keywords periodontology endodontology combined lesion perio endo lesion - Jan 29 2022

web to understand the role of periodontal considerations when treatment planning for endodontic lesions to gain an understanding about lesions with a periodontal and endodontic component and how to diagnose and manage them keywords periodontology endodontology combined lesion perio endo lesion

a new classification of endodontic periodontal lesions pubmed - Aug 04 2022

web an endo perio lesion can have a varied pathogenesis which ranges from simple to relatively complex one the differential diagnosis of endodontic and periodontal diseases can sometimes be difficult but it is of vital importance to make a correct diagnosis for providing the appropriate treatment this paper aims to discuss a modified clinical

a new classification of endodontic periodontal lesions pmc - Jul 15 2023

web apr 14 2014 the periodontal endodontic lesions have been characterized by the involvement of the pulp and periodontal disease in the same tooth this makes it difficult to diagnose because a single lesion may present signs of

endo periodontal lesions british dental journal nature - Mar 11 2023

web dec 23 2011 endo periodontal lesions e foce uk quintessence price 98 00 pp 158 isbn 9781850972105 isbn 978 1 850 97210 5 this book by edoardo foce would be a welcome addition to any dentist s library

endodontic management of endo perio lesions mdpi - Mar 31 2022

web nov 29 2021 an endo perio lesion is one of the more common tooth related problems an association between the presence of apical and marginal periodontitis is known in the literature and has been observed in 57 of individuals aged 40 45 years old

[endodontic periodontal lesions evidence based](#) - Nov 07 2022

web this book presents an evidence based approach to the management of endodontic periodontal lesions and describes modern clinical procedures it is written by experienced and internationally renowned scientists and offers a multidisciplinary view on the clinical handling of these lesions

etiology and classification of endodontic periodontal lesions - Jun 02 2022

web mar 13 2019 two major groups of endodontic periodontal lesions may be identified according to the etiological origin pathological endo perio lesions resulting from the disease of the pulp or periodontium and iatrogenic endo perio lesions representing a complication of the treatment that results in an artificial communication between the root

[endo periodontal lesion endodontic approach pubmed](#) - Jul 03 2022

web pmc4316135 endo perio lesions might be interdependent because of the vascular and anatomic connections between the pulp and the periodontium the aim of this study is to emphasise that primary endodontic lesion heals after a proper instrumentation disinfection and sealing of the endodontic space

endo perio lesions diagnosis and interdisciplinary treatment - Apr 12 2023

web both endodontic and periodontal lesions are polymicrobial anaerobic infections the combined epl disease is caused by simultaneous inflammation in varying degrees of the endodontic system and periodontium

diagnosis of endodontic periodontal lesions decisions in - Jun 14 2023

web apr 4 2022 primary periodontal lesion the etiology of a primary periodontal lesion is radicular biofilm and calculus in these types of lesions periodontal pockets tend to be wider and more generalized and calculus is typically visualized on the root

[combined endo perio lesions what is the best treatment](#) - Dec 08 2022

web dec 17 2021 the endo perio lesion a critical appraisal of the disease condition endod topics 2006 13 34 56 schmidt j c walter c amato m weiger r treatment of periodontal endodontic lesions a

[pdf endodontic management of endo perio lesions](#) - Sep 05 2022

web nov 29 2021 an endo perio lesion is one of the more common tooth related problems an association between the presence of apical and marginal periodontitis is known in the literature and has been

classifications and management of endodontic periodontal lesions - Dec 28 2021

web nov 6 2022 the term endodontic periodontal endo perio lesions has been used to describe lesions that involve the pulp

and periodontal tissues either in a separate or a combined pattern the diagnosis management and prognosis of teeth with endo perio lesions are challenging for the clinician

endodontic periodontic lesion management a systematic review - Feb 10 2023

web jun 1 2020 the endo perio lesions have been characterized by the involvement of pulp and periodontal disease in the same tooth infection in pulp tissue may lead to secondary infection or periodontal tissue breakdown

published march 2019 european federation of periodontology - Jan 09 2023

web case definition an endo periodontal lesion is a pathological communication between the pulpal and periodontal tissues at a given tooth that may occur in an acute or a chronic form

perio endo lesions a guide to diagnosis and clinical management - Aug 16 2023

web dentists are likely to encounter lesions that have both periodontal and endodontic aetiological components the so called perio endo lesions a thorough examination with appropriate investigations remains pivotal to diagnosing a perio endo lesion correct diagnosis of such lesions is therefore imp

pdf endo periodontal lesion endodontic approach - May 01 2022

web oct 1 2014 tujuan terapi periodontal adalah membersihkan jaringan infeksi dan granulasi di daerah defek tulang dan gingiva yang merupakan tempat akumulasi mikroorganisme patogen dan produknya 14 16