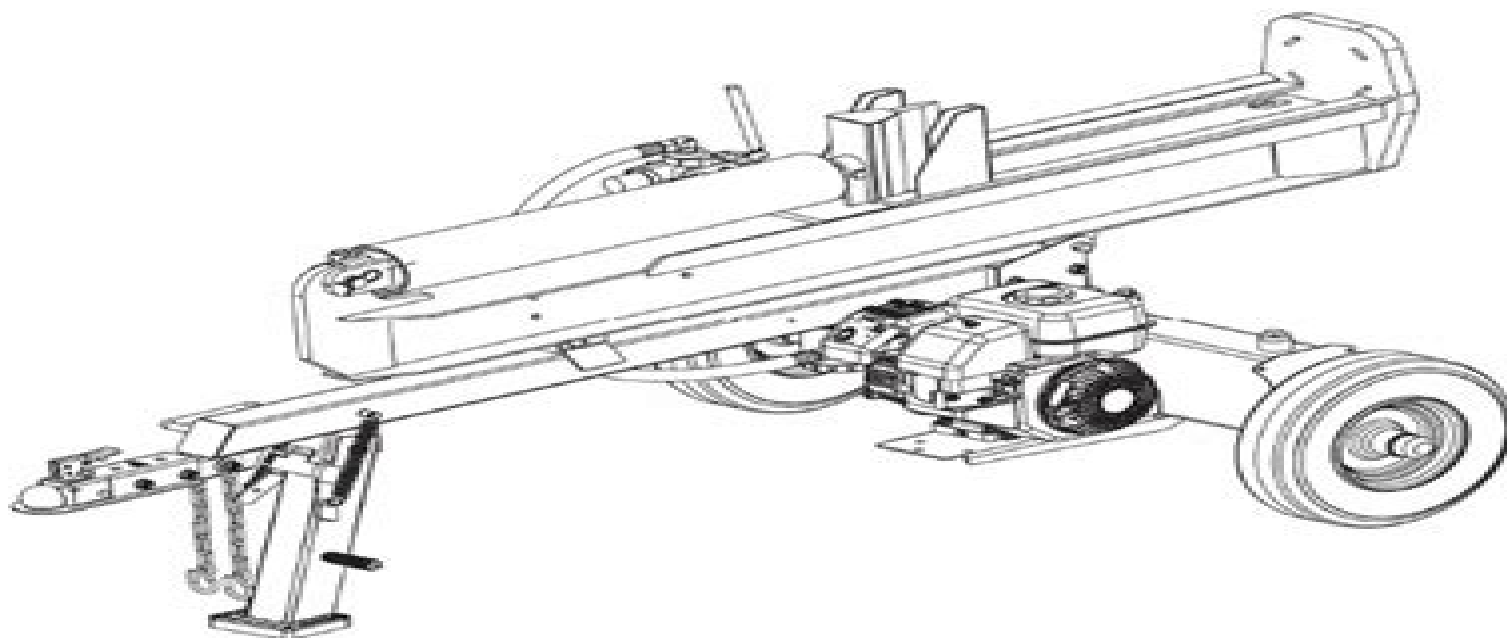




COUNTYLINE®

25 TON LOG SPLITTER



SKU# 1261517

Owner's Manual

ASSEMBLY & OPERATING INSTRUCTIONS



This safety alert symbol identifies important safety messages in this manual. Failure to do so could result in serious injury or death.

Task Force Log Splitter Owners Manual

Tao Wei



Task Force Log Splitter Owners Manual:

This Enthralling Realm of Kindle Books: A Detailed Guide Unveiling the Benefits of Kindle Books: A Realm of Ease and Flexibility Kindle books, with their inherent portability and ease of access, have freed readers from the constraints of physical books. Gone are the days of lugging cumbersome novels or carefully searching for specific titles in bookstores. E-book devices, sleek and lightweight, seamlessly store an extensive library of books, allowing readers to indulge in their preferred reads whenever, anywhere. Whether traveling on a busy train, lounging on a sunny beach, or just cozying up in bed, Kindle books provide an unparalleled level of convenience. A Literary Universe Unfolded: Exploring the Vast Array of E-book Task Force Log Splitter Owners Manual Task Force Log Splitter Owners Manual The Kindle Store, a virtual treasure trove of bookish gems, boasts an extensive collection of books spanning varied genres, catering to every reader's preference and preference. From gripping fiction and thought-provoking non-fiction to classic classics and contemporary bestsellers, the Kindle Shop offers an unparalleled variety of titles to explore. Whether seeking escape through engrossing tales of imagination and adventure, delving into the depths of past narratives, or broadening one's knowledge with insightful works of scientific and philosophical, the E-book Store provides a doorway to a bookish universe brimming with endless possibilities. A Game-changing Factor in the Literary Landscape: The Lasting Influence of Kindle Books Task Force Log Splitter Owners Manual The advent of E-book books has unquestionably reshaped the bookish landscape, introducing a paradigm shift in the way books are published, distributed, and read. Traditional publication houses have embraced the digital revolution, adapting their strategies to accommodate the growing demand for e-books. This has led to a rise in the availability of E-book titles, ensuring that readers have entry to a wide array of bookish works at their fingertips. Moreover, E-book books have democratized access to literature, breaking down geographical limits and offering readers worldwide with equal opportunities to engage with the written word. Irrespective of their location or socioeconomic background, individuals can now engross themselves in the intriguing world of books, fostering a global community of readers. Conclusion: Embracing the E-book Experience Task Force Log Splitter Owners Manual Kindle books Task Force Log Splitter Owners Manual, with their inherent ease, flexibility, and vast array of titles, have undoubtedly transformed the way we experience literature. They offer readers the liberty to explore the limitless realm of written expression, whenever, everywhere. As we continue to navigate the ever-evolving digital scene, Kindle books stand as testament to the lasting power of storytelling, ensuring that the joy of reading remains reachable to all.

<http://www.frostbox.com/book/virtual-library/HomePages/www%20samsung%20com%20user%20manual.pdf>

Table of Contents Task Force Log Splitter Owners Manual

1. Understanding the eBook Task Force Log Splitter Owners Manual
 - The Rise of Digital Reading Task Force Log Splitter Owners Manual
 - Advantages of eBooks Over Traditional Books
2. Identifying Task Force Log Splitter Owners Manual
 - Exploring Different Genres
 - Considering Fiction vs. Non-Fiction
 - Determining Your Reading Goals
3. Choosing the Right eBook Platform
 - Popular eBook Platforms
 - Features to Look for in an Task Force Log Splitter Owners Manual
 - User-Friendly Interface
4. Exploring eBook Recommendations from Task Force Log Splitter Owners Manual
 - Personalized Recommendations
 - Task Force Log Splitter Owners Manual User Reviews and Ratings
 - Task Force Log Splitter Owners Manual and Bestseller Lists
5. Accessing Task Force Log Splitter Owners Manual Free and Paid eBooks
 - Task Force Log Splitter Owners Manual Public Domain eBooks
 - Task Force Log Splitter Owners Manual eBook Subscription Services
 - Task Force Log Splitter Owners Manual Budget-Friendly Options
6. Navigating Task Force Log Splitter Owners Manual eBook Formats
 - ePub, PDF, MOBI, and More
 - Task Force Log Splitter Owners Manual Compatibility with Devices
 - Task Force Log Splitter Owners Manual Enhanced eBook Features
7. Enhancing Your Reading Experience
 - Adjustable Fonts and Text Sizes of Task Force Log Splitter Owners Manual
 - Highlighting and Note-Taking Task Force Log Splitter Owners Manual
 - Interactive Elements Task Force Log Splitter Owners Manual
8. Staying Engaged with Task Force Log Splitter Owners Manual

- Joining Online Reading Communities
- Participating in Virtual Book Clubs
- Following Authors and Publishers Task Force Log Splitter Owners Manual
- 9. Balancing eBooks and Physical Books Task Force Log Splitter Owners Manual
 - Benefits of a Digital Library
 - Creating a Diverse Reading Collection Task Force Log Splitter Owners Manual
- 10. Overcoming Reading Challenges
 - Dealing with Digital Eye Strain
 - Minimizing Distractions
 - Managing Screen Time
- 11. Cultivating a Reading Routine Task Force Log Splitter Owners Manual
 - Setting Reading Goals Task Force Log Splitter Owners Manual
 - Carving Out Dedicated Reading Time
- 12. Sourcing Reliable Information of Task Force Log Splitter Owners Manual
 - Fact-Checking eBook Content of Task Force Log Splitter Owners Manual
 - Distinguishing Credible Sources
- 13. Promoting Lifelong Learning
 - Utilizing eBooks for Skill Development
 - Exploring Educational eBooks
- 14. Embracing eBook Trends
 - Integration of Multimedia Elements
 - Interactive and Gamified eBooks

Task Force Log Splitter Owners Manual Introduction

Task Force Log Splitter Owners Manual Offers over 60,000 free eBooks, including many classics that are in the public domain. Open Library: Provides access to over 1 million free eBooks, including classic literature and contemporary works. Task Force Log Splitter Owners Manual Offers a vast collection of books, some of which are available for free as PDF downloads, particularly older books in the public domain. Task Force Log Splitter Owners Manual : This website hosts a vast collection of scientific articles, books, and textbooks. While it operates in a legal gray area due to copyright issues, its a popular resource for finding various publications. Internet Archive for Task Force Log Splitter Owners Manual : Has an

extensive collection of digital content, including books, articles, videos, and more. It has a massive library of free downloadable books. Free-eBooks Task Force Log Splitter Owners Manual Offers a diverse range of free eBooks across various genres. Task Force Log Splitter Owners Manual Focuses mainly on educational books, textbooks, and business books. It offers free PDF downloads for educational purposes. Task Force Log Splitter Owners Manual Provides a large selection of free eBooks in different genres, which are available for download in various formats, including PDF. Finding specific Task Force Log Splitter Owners Manual, especially related to Task Force Log Splitter Owners Manual, might be challenging as they're often artistic creations rather than practical blueprints. However, you can explore the following steps to search for or create your own Online Searches: Look for websites, forums, or blogs dedicated to Task Force Log Splitter Owners Manual, Sometimes enthusiasts share their designs or concepts in PDF format. Books and Magazines Some Task Force Log Splitter Owners Manual books or magazines might include. Look for these in online stores or libraries. Remember that while Task Force Log Splitter Owners Manual, sharing copyrighted material without permission is not legal. Always ensure you're either creating your own or obtaining them from legitimate sources that allow sharing and downloading. Library Check if your local library offers eBook lending services. Many libraries have digital catalogs where you can borrow Task Force Log Splitter Owners Manual eBooks for free, including popular titles. Online Retailers: Websites like Amazon, Google Books, or Apple Books often sell eBooks. Sometimes, authors or publishers offer promotions or free periods for certain books. Authors Website Occasionally, authors provide excerpts or short stories for free on their websites. While this might not be the Task Force Log Splitter Owners Manual full book, it can give you a taste of the author's writing style. Subscription Services Platforms like Kindle Unlimited or Scribd offer subscription-based access to a wide range of Task Force Log Splitter Owners Manual eBooks, including some popular titles.

FAQs About Task Force Log Splitter Owners Manual Books

How do I know which eBook platform is the best for me? Finding the best eBook platform depends on your reading preferences and device compatibility. Research different platforms, read user reviews, and explore their features before making a choice. Are free eBooks of good quality? Yes, many reputable platforms offer high-quality free eBooks, including classics and public domain works. However, make sure to verify the source to ensure the eBook's credibility. Can I read eBooks without an eReader? Absolutely! Most eBook platforms offer web-based readers or mobile apps that allow you to read eBooks on your computer, tablet, or smartphone. How do I avoid digital eye strain while reading eBooks? To prevent digital eye strain, take regular breaks, adjust the font size and background color, and ensure proper lighting while reading eBooks. What's the advantage of interactive eBooks? Interactive eBooks incorporate multimedia elements, quizzes, and activities,

enhancing the reader engagement and providing a more immersive learning experience. Task Force Log Splitter Owners Manual is one of the best book in our library for free trial. We provide copy of Task Force Log Splitter Owners Manual in digital format, so the resources that you find are reliable. There are also many Ebooks of related with Task Force Log Splitter Owners Manual. Where to download Task Force Log Splitter Owners Manual online for free? Are you looking for Task Force Log Splitter Owners Manual PDF? This is definitely going to save you time and cash in something you should think about.

Find Task Force Log Splitter Owners Manual :

www samsung com user manual

~~x micro xmp3a f512 mp3 players owners manual~~

wv polo 1 6 12v 1997 repair and service manual

~~write to sell your book~~

~~x box strategy guide~~

~~x1 pocket bike owners manual~~

~~writing an informational report~~

x11 programming guide

~~wow 450 enchanting guide~~

~~writing a book how to start~~

~~writing formulas from names worksheet answers physical science if8767~~

~~writing conventions student workbook~~

wow herb guide goldthorn

wv fourth grade science pacing guide

~~writing book report 4th grade~~

Task Force Log Splitter Owners Manual :

armstrong s handbook of performance management open library - Sep 22 2021

armstrong s handbook of performance management an - Mar 09 2023

web nov 28 2014 armstrong s handbook of performance management an evidence based guide to delivering high performance fifth edition by michael armstrong author 4 7

armstrong s handbook of performance management 5th ed - Nov 24 2021

armstrong s handbook of performance management - Aug 14 2023

web sep 3 2009 armstrong s handbook of performance management includes 9 brand new chapters covering important developments in this area including critiques of

[armstrong s handbook of performance management](#) - Jan 07 2023

web oct 1 2009 this new edition of armstrong s handbook of performance management looks at the results of major research in this area armstrong considers how evidence

armstrong s handbook of performance management an - Jul 01 2022

web the new edition of armstrong s handbook of performance management is an essential companion for improving employee and organizational performance

[armstrong s handbook of performance management an](#) - Sep 03 2022

web mar 7 2023 armstrong s handbook of performance management an evidence based guide to delivering high performance 4th ed by michael armstrong 0 ratings 0 want

armstrong s handbook of performance management - Feb 08 2023

web armstrong s handbook of performance management an evidence based guide to delivering high performance michael armstrong kogan page 2009 achievement

armstrong s handbook of performance management 7th ed - Feb 25 2022

web michael armstrong click to preview armstrong s handbook of performance management addresses all areas of performance management from performance

armstrong s handbook of performance management open library - Apr 10 2023

web jan 25 2022 armstrong s handbook of performance management an evidence based guide to performance leadership jan 25 2022 kogan page paperback 1398603023

armstrong s handbook of performance management an - Apr 29 2022

web author michael armstrong has some tips on using performance management approaches that revolutionize people s happiness and productivity in fact this

armstrong s handbook of performance management - Jul 13 2023

web nov 3 2014 in the completely updated fifth edition of armstrong s handbook of performance management michael armstrong considers the latest developments in

armstrong s handbook of performance management an - Dec 06 2022

web in the completely updated fifth edition of armstrong s handbook of performance management michael armstrong considers the latest developments in this area and

armstrong on reinventing performance management - Dec 26 2021

armstrong s handbook of performance management google - Jun 12 2023

web dec 3 2017 armstrong s handbook of performance management addresses all areas of performance management from performance pay and giving feedback to managing

armstrong s handbook of performance management kogan page - Aug 02 2022

web apr 3 2019 buy armstrong s handbook of performance management an evidence based guide to delivering high performance 6 by armstrong michael isbn

armstrong s handbook of performance management perlego - Jan 27 2022

web dec 5 2022 3 armstrong s handbook of performance management an evidence based guide to delivering high performance 2017 kogan page limited in english

armstrong s handbook of performance management an - Nov 05 2022

web jan 24 2022 about the book optimizing staff performance is a key component of achieving outstanding business results the new edition of armstrong s handbook of

armstrong s handbook of performance management 4th edition - May 11 2023

web armstrong s handbook of performance management includes 9 brand new chapters covering important developments in this area including critiques of performance

armstrong s handbook of performance management an - Oct 04 2022

web jan 25 2022 the new edition of armstrong s handbook of performance management is an essential companion for improving employee and organizational performance from

armstrong s handbook of performance management 6th ed - Oct 24 2021

armstrong s handbook of performance management open library - May 31 2022

web about this book armstrong s handbook of performance management addresses all areas of performance management from performance pay and giving feedback to

michael armstrong performance management - Mar 29 2022

web in the completely updated fifth edition of armstrong s handbook of performance management michael armstrong considers the latest developments in this area and

where courage calls the return to the canadian west series - Sep 04 2022

web aug 15 2014 inspired by the diary of her aunt elizabeth who went west to teach school several years earlier as well as her father s encouragement beth eventually decides to put her trust in god and leave behind all she s ever known but the conditions in coal valley are even worse than she d feared

where courage calls thorndike press large print superior - Feb 26 2022

web apr 11 2013 where courage calls thorndike press large print superior collection laurel oke logan joyce of cooking alison armstrong rich insight commentaries from a changing life richard oppenheim making perfect landings in light airplanes ronald fowler faustus his life death and doom dodo press friedrich

where courage calls return to the canadian west volume 1 - Aug 15 2023

web where courage calls return to the canadian west volume 1 a when calls the heart novel volume 1 return to the canadian west oke janette amazon com tr kitap

where courage calls audible audiobook unabridged - Aug 03 2022

web where courage calls by janette oke and laurel oke logan janette s daughter portrays life in a mining community after a mine explosion killed many miners and how a young inexperienced school teacher attempts improvements for the widows and their children

where courage calls return to the canadian west amazon com - Jul 14 2023

web feb 4 2014 where courage calls by janette oke and laurel oke logan is the first book in the return to the canadian west series beth elizabeth thatcher has graduated from college and has been offered a teaching position in coal valley

category locations courage the cowardly dog fandom - Jan 28 2022

web nowhere movie theater p category places s shirley s wagon sweet stuff bakery t the black puddle queen s palace the wrong side of the tracks

where courage calls a when calls the heart novel hardcover - Mar 10 2023

web where courage calls a when calls the heart novel hardcover 4 7 207 ratings see all formats and editions hardcover print length 304 pages print length 304 pages language english dimensions 14 61 x 3 18 x 22 23 cm isbn 10 076421232x isbn 13 978 0764212321 see all details product details language english hardcover 304 pages

where courage calls return to the canadian west book 1 a when calls - Apr 11 2023

web jan 28 2014 audio cd 27 94 1 used from 9 99 2 new from 27 94 her courage and her heart will be tested in ways she never expected beth thatcher has spent her entire life in the safe comfortable world of her family her friends and the social outings her father s wealth provides

where courage calls a when calls the heart novel google - Apr 30 2022

web her courage and her heart will be tested in ways she never expected beth thatcher has spent her entire life in the safe comfortable world of her family her friends and the social outings her father s wealth provides but beth is about to leave it all behind to accept a teaching position in the rugged foothills of western canada

where courage calls a when calls the heart novel by - Jul 02 2022

web where courage calls is the newest release from janette oke and her daughter laurel janette s books have a very special place in my heart i grew up reading her books and i have read most if not all of janette s novels where courage calls is no exception from her previous works it is an absolutely beautiful novel full of romance and adventure

[where courage calls audible com](#) - Oct 05 2022

web where courage calls as it s meant to be heard narrated by morgan hallett discover the english audiobook at audible free trial available

where courage calls paperback feb 4 2014 amazon ca - Feb 09 2023

web janette oke where courage calls paperback feb 4 2014 by janette oke author laurel logan author 1 610 ratings book 1 of 3 return to the canadian west see all formats and editions kindle edition 0 00 this title and over 1 million more available with kindle unlimited 11 99 to buy audiobook 0 00 free with your audible trial hardcover

where courage calls return to the canadian west book 1 - Jun 13 2023

web bir laurel oke logan eseri olan where courage calls return to the canadian west book 1 e kitap olarak en cazip fiyat ile d r de keşfetmek için hemen tıklayınız

loading interface goodreads - Dec 07 2022

web feb 4 2014 where courage calls janette oke laurel oke logan 4 21 3 526 ratings372 reviews her courage and her heart will be tested in ways she never expected beth thatcher has spent her entire life in the safe comfortable world of her family her friends and the social outings her father s wealth provides

where courage calls sesli kitap laurel oke logan storytel - May 12 2023

web janette oke returns with a new prairie romance after years of schooling beth thatcher has graduated and is determined to become a teacher but when she s assigned the position no one else wants in the tiny mining town of coal valley located in the rugged foothills of western canada she worries she doesn t have the courage to accept

where courage calls by janette oke laurel oke logan - Nov 06 2022

web feb 4 2014 beth thatcher has spent her entire life in the safe comfortable world of her family her friends and the social outings her father s wealth provides but beth is about to leave it all behind to accept a teaching position in the rugged foothills of western canada

where courage calls return to the canadian west volume - Mar 30 2022

web feb 15 2022 where courage calls return to the canadian west volume 1 laurel oke logan wilkinson skills video fund of nsg vol 1 2 proc cklist tabers 21st deglin dg 11th f a davis the history of the popes from the foundation of the see of rome to the present time v 1 archibald bower flame in the forest atlantic large print

the call of courage wikipedia - Dec 27 2021

web the call of courage is a 1925 american silent western film directed by clifford smith and written by harold shumate the film stars art acord olive hasbrouck duke r lee frank rice john t prince and turner savage the film was released on december 22 1925 by universal pictures

where courage calls a when calls the heart novel - Jan 08 2023

web where courage calls a when calls the heart novel in the early 20th century new schoolteacher beth thatcher is assigned a post in a remote mining community in western canada there her courage and her heart will be tested in unexpected ways

review where courage calls by janette oke laurel oke logan - Jun 01 2022

web feb 13 2014 where courage calls begins with beth thatcher who is following in the footsteps of her aunt and namesake elizabeth thatcher from when calls the heart one of my favorite janette oke series she travels to the west to

pdf philosophische terminologie zur einleitung band 1 - Jul 23 2022

web 1 philosophische terminologie zur einleitung band 1 beiträge zur einleitung in das alte testament may 28 2023 the unity of the book of genesis apr 22 2020 1 band biographische einleitung und gedichte dec 31 2020 history of the popes vol i the great schism sep 27 2020

philosophische terminologie suhrkamp verlag - Oct 06 2023

web jan 6 1973 philosophische terminologie zur einleitung band 1 buch suhrkamp taschenbuch wissenschaft von theodor w adorno auf suhrkamp de bestellen

griechische terminologie einföhrung und grundwissen für das - May 21 2022

web sie präsentieren wichtige termini der antiken philosophie und bieten anknüpfungspunkte an weiterführende diskurszusammenhänge begleitet werden diese texte von einer grundlegenden einföhrung in die griechische sprache sowie einem Überblick über die grammatik und die erfolgreichen vokabeln

philosophische terminologie suhrkamp verlag - Feb 27 2023

web mar 12 1974 philosophische terminologie zur einleitung band 2 buch suhrkamp taschenbuch wissenschaft von theodor w adorno auf suhrkamp de bestellen

philosophische terminologie band first edition abebooks - Nov 26 2022

web philosophische terminologie zur einleitung band ii theodor w adorno herausgegeben von rudolf zur lippe by adorno theodor w 1903 1969 and a great selection of related books art and collectibles available now at abebooks co uk

philosophische terminologie band first edition abebooks skip to main content

philosophische terminologie einleitung by adorno theodor - Mar 19 2022

web philosophische terminologie zur einleitung band 1 bd 1 by adorno theodor w and a great selection of related books art and collectibles available now at abebooks com

philosophische terminologie zeno org - Jun 21 2022

web philosophische terminologie 439 philosophische terminologie oder idiographik heißt diejenige bezeichnungsweise welche die der philosophie eigentümlichen ausdrücke und formeln termini technici umfaßt

philosophische terminologie zur einleitung band 1 medimops - Apr 19 2022

web philosophische terminologie zur einleitung band 1 von adorno theodor w taschenbuch bei medimops de bestellen gebraucht günstig kaufen sparen gratis versand bei medimops

philosophische terminologie band einleitung books abebooks - Jun 02 2023

web philosophische terminologie band 1 zur einleitung by adorno theodor w 1903 1969 and a great selection of related books art and collectibles available now at abebooks com

philosophische terminologie band 1 zur einleitung goodreads - Sep 05 2023

web philosophische terminologie band 1 zur einleitung theodor w adorno 0 00 0 ratings0 reviews want to read buy on amazon rate this book paperback published january 1 1973 book details editions

philosophische terminologie band einleitung abebooks - Dec 28 2022

web philosophische terminologie zur einleitung band 1 bd 1 zur lippe rudolf und theodor w adorno published by suhrkamp verlag 1973 isbn 10 3518276239 isbn 13 9783518276235

philosophische terminologie zur einleitung theodor w - Oct 26 2022

web philosophische terminologie zur einleitung theodor w adorno hrsg von rudolf zur lippe band 1 beim zvb com isbn 10 351807623x isbn 13 9783518076231 softcover

philosophische terminologie zur einleitung theodor w - Aug 24 2022

web philosophische terminologie zur einleitung theodor w adorno hrsg von rudolf zur lippe band 1 isbn 10 351807623x isbn 13 9783518076231 softcover

philosophische terminologie band einleitung first edition - Jan 29 2023

web philosophische terminologie zur einleitung band ii theodor w adorno herausgegeben von rudolf zur lippe by adorno theodor w 1903 1969 and a great selection of related books art and collectibles available now at abebooks com

philosophische terminologie einleitung abebooks - May 01 2023

web philosophische terminologie zur einleitung band 1 bd 1 by adorno theodor w and a great selection of related books art

and collectibles available now at abebooks com

[philosophische terminologie zur einleitung adorno theodor](#) - Aug 04 2023

web philosophische terminologie zur einleitung by adorno theodor w 1903 1969 publication date 1973 topics philosophy terminologie philosophie terminologie collections philosophy philosophie fachsprache einfu hrung publisher frankfurt am main suhrkamp

philosophische terminologie zur einleitung band 1 - Mar 31 2023

web 1 philosophische terminologie zur einleitung band 1 kosmos may 19 2020 this work has been selected by scholars as being culturally important and is part of the knowledge base of civilization as we know it this work was reproduced from the original artifact and remains as true to the original work as possible therefore you will see the

[philosophische terminologie zur einleitung band 1 taschenbuch amazon de](#) - Jul 03 2023

web philosophische terminologie zur einleitung band 1 zur lippe rudolf adorno theodor w isbn 9783518276235 kostenloser versand für alle bücher mit versand und verkauf duch amazon

[philosophische terminologie zur einleitung band 1 2023](#) - Sep 24 2022

web 1 philosophische terminologie zur einleitung band 1 lesebuch zur einleitung in die geschichte nach den qvellen bearbeitet 1 band griechische geschichte 2 bandes 1 u 2 gft römische geschichte 3 bandes 1 u 2 gft römische geschichte in ausführlicher erzählung jun 10 2020 the history of the popes from the close of the middle

philosophische terminologie zur einleitung 2 adorno - Feb 15 2022

web philosophische terminologie zur einleitung 2 by adorno theodor w publication date 1974 topics philosophie fachsprache einföhrung publisher frankfurt am main suhrkamp collection abby to hocr 1 1 20 ocr module version 0 0 17 old pallet ia18435 openlibrary edition ol28757320m