

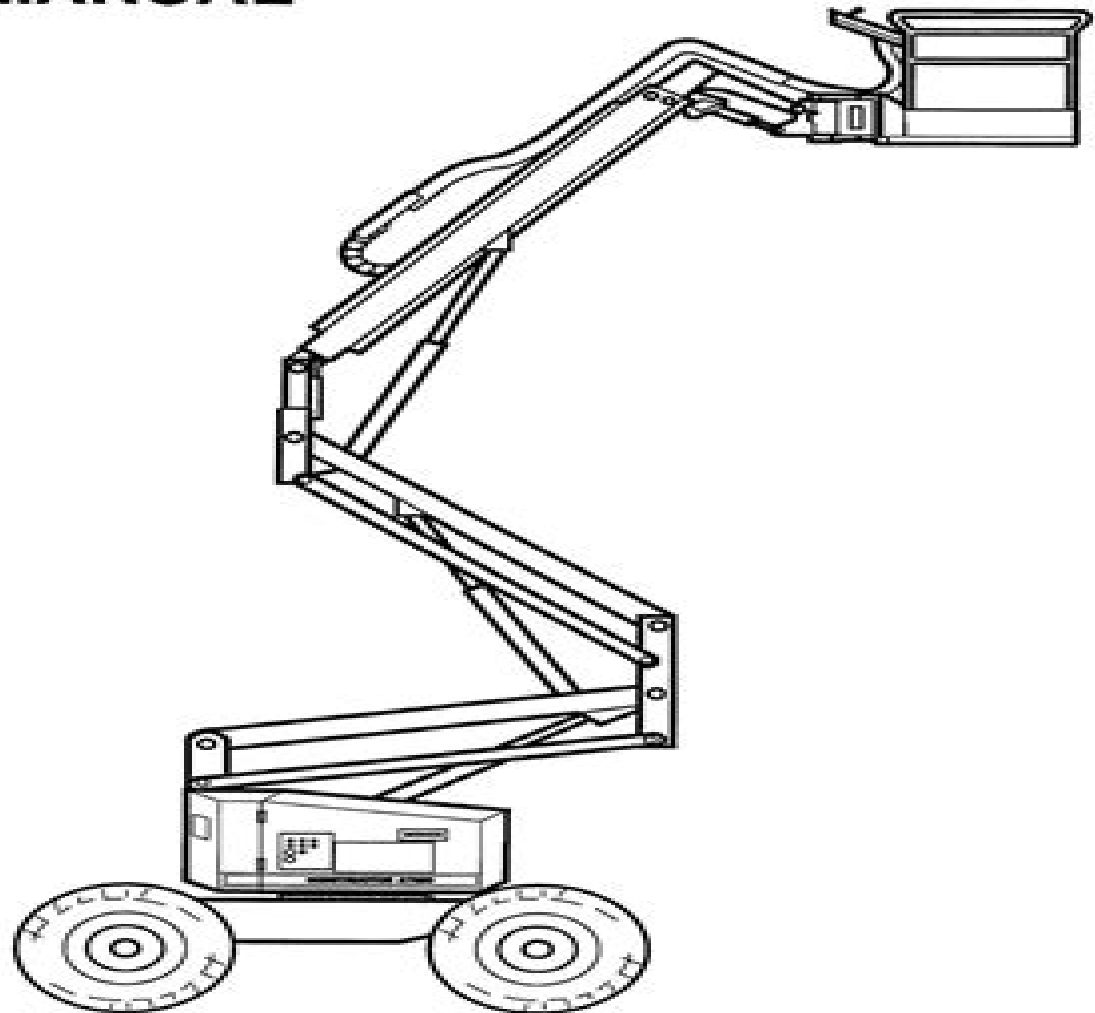
SIMON AERIALS INC.
10600 W. Brown Deer Road
Milwaukee, Wisconsin 53224
Phone: (414) 355-0802
TWX: 910-252-2310 -
FAX: (414) 355-0832
Cable: SIMON MIL

CONSTRUCTOR AT40C

89-444007

SIMON

SERVICE MANUAL



REVISION B

Simon At40c Manlift Manual

Raffaela Di Napoli



Simon At40c Manlift Manual:

Reviewing **Simon At40c Manlift Manual**: Unlocking the Spellbinding Force of Linguistics

In a fast-paced world fueled by information and interconnectivity, the spellbinding force of linguistics has acquired newfound prominence. Its capacity to evoke emotions, stimulate contemplation, and stimulate metamorphosis is truly astonishing. Within the pages of "**Simon At40c Manlift Manual**," an enthralling opus penned by a highly acclaimed wordsmith, readers attempt an immersive expedition to unravel the intricate significance of language and its indelible imprint on our lives. Throughout this assessment, we shall delve in to the book is central motifs, appraise its distinctive narrative style, and gauge its overarching influence on the minds of its readers.

<http://www.frostbox.com/About/book-search/HomePages/the%20leafhoppers%20and%20planthoppers.pdf>

Table of Contents Simon At40c Manlift Manual

1. Understanding the eBook Simon At40c Manlift Manual
 - The Rise of Digital Reading Simon At40c Manlift Manual
 - Advantages of eBooks Over Traditional Books
2. Identifying Simon At40c Manlift Manual
 - Exploring Different Genres
 - Considering Fiction vs. Non-Fiction
 - Determining Your Reading Goals
3. Choosing the Right eBook Platform
 - Popular eBook Platforms
 - Features to Look for in an Simon At40c Manlift Manual
 - User-Friendly Interface
4. Exploring eBook Recommendations from Simon At40c Manlift Manual
 - Personalized Recommendations
 - Simon At40c Manlift Manual User Reviews and Ratings
 - Simon At40c Manlift Manual and Bestseller Lists

5. Accessing Simon At40c Manlift Manual Free and Paid eBooks
 - Simon At40c Manlift Manual Public Domain eBooks
 - Simon At40c Manlift Manual eBook Subscription Services
 - Simon At40c Manlift Manual Budget-Friendly Options
6. Navigating Simon At40c Manlift Manual eBook Formats
 - ePub, PDF, MOBI, and More
 - Simon At40c Manlift Manual Compatibility with Devices
 - Simon At40c Manlift Manual Enhanced eBook Features
7. Enhancing Your Reading Experience
 - Adjustable Fonts and Text Sizes of Simon At40c Manlift Manual
 - Highlighting and Note-Taking Simon At40c Manlift Manual
 - Interactive Elements Simon At40c Manlift Manual
8. Staying Engaged with Simon At40c Manlift Manual
 - Joining Online Reading Communities
 - Participating in Virtual Book Clubs
 - Following Authors and Publishers Simon At40c Manlift Manual
9. Balancing eBooks and Physical Books Simon At40c Manlift Manual
 - Benefits of a Digital Library
 - Creating a Diverse Reading Collection Simon At40c Manlift Manual
10. Overcoming Reading Challenges
 - Dealing with Digital Eye Strain
 - Minimizing Distractions
 - Managing Screen Time
11. Cultivating a Reading Routine Simon At40c Manlift Manual
 - Setting Reading Goals Simon At40c Manlift Manual
 - Carving Out Dedicated Reading Time
12. Sourcing Reliable Information of Simon At40c Manlift Manual
 - Fact-Checking eBook Content of Simon At40c Manlift Manual
 - Distinguishing Credible Sources
13. Promoting Lifelong Learning

- Utilizing eBooks for Skill Development
 - Exploring Educational eBooks
14. Embracing eBook Trends
- Integration of Multimedia Elements
 - Interactive and Gamified eBooks

Simon At40c Manlift Manual Introduction

Free PDF Books and Manuals for Download: Unlocking Knowledge at Your Fingertips In today's fast-paced digital age, obtaining valuable knowledge has become easier than ever. Thanks to the internet, a vast array of books and manuals are now available for free download in PDF format. Whether you are a student, professional, or simply an avid reader, this treasure trove of downloadable resources offers a wealth of information, conveniently accessible anytime, anywhere. The advent of online libraries and platforms dedicated to sharing knowledge has revolutionized the way we consume information. No longer confined to physical libraries or bookstores, readers can now access an extensive collection of digital books and manuals with just a few clicks. These resources, available in PDF, Microsoft Word, and PowerPoint formats, cater to a wide range of interests, including literature, technology, science, history, and much more. One notable platform where you can explore and download free Simon At40c Manlift Manual PDF books and manuals is the internet's largest free library. Hosted online, this catalog compiles a vast assortment of documents, making it a veritable goldmine of knowledge. With its easy-to-use website interface and customizable PDF generator, this platform offers a user-friendly experience, allowing individuals to effortlessly navigate and access the information they seek. The availability of free PDF books and manuals on this platform demonstrates its commitment to democratizing education and empowering individuals with the tools needed to succeed in their chosen fields. It allows anyone, regardless of their background or financial limitations, to expand their horizons and gain insights from experts in various disciplines. One of the most significant advantages of downloading PDF books and manuals lies in their portability. Unlike physical copies, digital books can be stored and carried on a single device, such as a tablet or smartphone, saving valuable space and weight. This convenience makes it possible for readers to have their entire library at their fingertips, whether they are commuting, traveling, or simply enjoying a lazy afternoon at home. Additionally, digital files are easily searchable, enabling readers to locate specific information within seconds. With a few keystrokes, users can search for keywords, topics, or phrases, making research and finding relevant information a breeze. This efficiency saves time and effort, streamlining the learning process and allowing individuals to focus on extracting the information they need. Furthermore, the availability of free PDF books and manuals fosters a culture of continuous learning. By removing financial barriers, more people can access educational resources and pursue lifelong learning, contributing to personal

growth and professional development. This democratization of knowledge promotes intellectual curiosity and empowers individuals to become lifelong learners, promoting progress and innovation in various fields. It is worth noting that while accessing free Simon At40c Manlift Manual PDF books and manuals is convenient and cost-effective, it is vital to respect copyright laws and intellectual property rights. Platforms offering free downloads often operate within legal boundaries, ensuring that the materials they provide are either in the public domain or authorized for distribution. By adhering to copyright laws, users can enjoy the benefits of free access to knowledge while supporting the authors and publishers who make these resources available. In conclusion, the availability of Simon At40c Manlift Manual free PDF books and manuals for download has revolutionized the way we access and consume knowledge. With just a few clicks, individuals can explore a vast collection of resources across different disciplines, all free of charge. This accessibility empowers individuals to become lifelong learners, contributing to personal growth, professional development, and the advancement of society as a whole. So why not unlock a world of knowledge today? Start exploring the vast sea of free PDF books and manuals waiting to be discovered right at your fingertips.

FAQs About Simon At40c Manlift Manual Books

How do I know which eBook platform is the best for me? Finding the best eBook platform depends on your reading preferences and device compatibility. Research different platforms, read user reviews, and explore their features before making a choice. Are free eBooks of good quality? Yes, many reputable platforms offer high-quality free eBooks, including classics and public domain works. However, make sure to verify the source to ensure the eBook credibility. Can I read eBooks without an eReader? Absolutely! Most eBook platforms offer web-based readers or mobile apps that allow you to read eBooks on your computer, tablet, or smartphone. How do I avoid digital eye strain while reading eBooks? To prevent digital eye strain, take regular breaks, adjust the font size and background color, and ensure proper lighting while reading eBooks. What the advantage of interactive eBooks? Interactive eBooks incorporate multimedia elements, quizzes, and activities, enhancing the reader engagement and providing a more immersive learning experience. Simon At40c Manlift Manual is one of the best book in our library for free trial. We provide copy of Simon At40c Manlift Manual in digital format, so the resources that you find are reliable. There are also many Ebooks of related with Simon At40c Manlift Manual. Where to download Simon At40c Manlift Manual online for free? Are you looking for Simon At40c Manlift Manual PDF? This is definitely going to save you time and cash in something you should think about.

Find Simon At40c Manlift Manual :

the leafhoppers and planthoppers

the man who heard too much the november man book 10

the last king of scotland

the landlord the protectors book english edition

the manly man manual

the magic pillow the passage of light

the interracial collection 3 story bundle bwmm interracial erotic romance

the man who watched women

the lovers guide satisfaction guaranteed

the layguide the rules of the game

the last drink better prevent than to avoid

the lego mindstorms nxt 2 0 discovery book a

the learning institute the great fire

the king s boiler and other stories more quirky vignettes

the loveday scandals loveday english edition

Simon At40c Manlift Manual :

applied numerical methods for chemical engineers - Jun 02 2022

web applied numerical methods for chemical engineers emphasizes the derivation of a variety of numerical methods and their application to the solution of engineering problems with special attention to problems in the chemical engineering field

these algorithms encompass linear and nonlinear algebraic equations eigenvalue problems finite

10 213 problem sets massachusetts institute of technology - Sep 05 2022

web may 23 2002 chemical engineering thermodynamics spring 2002 mwf 10 4 231 home class information handouts

problem sets exams extra problems useful links feedback last update 05 23 02 problem sets and solutions in pdf format

problem set a problem solution including practice problems

engineering problem solving introduction to chemical and - Mar 11 2023

web steps in solving real world engineering problems the following are the steps as enumerated in your textbook

collaboratively define the problem list possible solutions evaluate and rank the possible solutions develop a detailed plan for

the most attractive solution s re evaluate the plan to check desirability implement the plan

chemical engineering challenges and opportunities in the 21st - Aug 16 2023

web identify challenges and opportunities that chemical engineering faces now and may face in the next 10 30 years including the broader impacts that chemical engineering can have on emerging technologies national needs and

1 basic problems of chemical reaction engineering and - Jul 03 2022

web tion engineering the performance of how chemical reactions are carried out indutrially still suffers from several severe limitations very important and not suffi ciently solved problems are problem 1 the rates of chemical reactions leading to desired products are often too low to establish economically attractive processes

use spreadsheets for che problem solving aiche - May 01 2022

web this article will help you improve your excel spreadsheet skills and will provide you with tools to solve common chemical engineering problems ever since lotus 1 2 3 and the ibm pc became popular in the early 1980s chemical engineers have been using spreadsheets for day to day problem solving

basic principles and calculations in chemical engineering - Jan 29 2022

web integration these calculations with their applications in many chemical engineering fields mass transfer heat transfer chemical kinetics etc will be given in applied mathematics in chemical engineering within 3rd year of study chapter 7 a general strategy for solving material balance problems

chemical engineering solves the biggest problems of our time - Apr 12 2023

web unlike many other sectors chemical engineering not only explores how nature works but also develops new technologies these technologies solve the major problems of our time such as climate change and the adequacy of natural resources chemical engineering students at waraslähtö event in august 2021

pdf chemical engineering solutions to the problems in chemical - May 13 2023

web chemical engineering solutions to the problems in chemical engineering volume 1 hoàng ga nguyên problem 1 1 98 sulphuric acid of viscosity 0 025 n s m 2 and density 1840 kg m 3 is pumped at 685 cm 3 s through a 25 mm line

chemical engineering problems solutions google books - Mar 31 2022

web this is a review book for people planning to take the pe exam in chemical engineering prepared specifically for the exam used in all 50 states it features 188 new pe problems with detailed

chemical engineering solutions to the problems in volume 1 - Nov 07 2022

web dec 14 2000 offer details description this volume in the coulson and richardson series in chemical engineering contains full worked solutions to the problems posed in volume 1 whilst the main volume contains illustrative worked examples throughout the text this book contains answers to the more challenging questions posed at the end of each

problem solving in chemical engineering with numerical - Dec 08 2022

web an invaluable reference book that discusses and illustrates practical numerical problem solving in the core subject areas of chemical engineering problem solving in chemical engineering with numerical methods provides an extensive selection of problems that require numerical solutions from throughout the core subject areas of chemical

grand challenges institution of chemical engineers - Feb 10 2023

web chemical engineering research chemical engineers tackle many of the world s grand challenges the need for properly funded chemical engineering research is clear and the sector is evolving quickly with new tools such as molecular modelling quantum chemistry and synthetic biology emerging

fe chemical practice problems prepfe - Feb 27 2022

web we ve selected 10 diverse practice problems from our question bank that you can use to review for the chemical engineering fe exam and give you an idea about some of the content we provide 1 for the system shown in the figure compute the peak value time a 0 726s b 5 111s c 1 231s d 0 940s

excel for chemical engineering problems aiche - Aug 04 2022

web jun 8 2021 comments 0 aiche topics professional development students over the years it s become clear to us at chenected just how useful excel is for many chemical engineers some of our most popular posts have been tips and tutorials for using spreadsheets to solve chemical engineering problems

grand challenges in chemical engineering pmc national - Jul 15 2023

web apr 9 2014 many of the most interesting and fruitful challenges at the frontiers of chemical engineering involve the integration of chemical engineering with chemistry physics and biology accompanied by a redefinition of the control volume

solution of six chemical engineering problems using the - Oct 06 2022

web apr 1 2017 this technique allows the elucidation of engineering problems involving partial differentials equations or boundary value problems six chemical engineering problems concerning the transfer of

frontiers grand challenges in chemical engineering - Jun 14 2023

web apr 9 2014 many of the most interesting and fruitful challenges at the frontiers of chemical engineering involve the integration of chemical engineering with chemistry physics and biology accompanied by a redefinition of the control volume

10 213 additional examples massachusetts institute of technology - Dec 28 2021

web may 23 2002 chemical engineering thermodynamics spring 2002 mwf 10 4 231 home class information handouts problem sets exams extra problems useful links feedback last update 05 23 02 additional examples these are older problems most of them have solutions

pdf grand challenges in chemical engineering researchgate - Jan 09 2023

web apr 9 2014 it is imperative to identify chemical engineering problems of practical relevance that may benefit from novel quantum techniques either with current quantum computers or of the future

ms word tests for exams certifications and interviews - Jan 08 2023

web test details this practice test divided into four tests ms word practice test set 1 30 questions 15 minutes 75 correct required to pass ms word practice test set 2 30 questions 15 minutes 75 correct required to pass ms word practice test set 3 30 questions 15 minutes 75 correct required to pass ms word

prepare for an exam microsoft learn - Jun 13 2023

web apr 6 2023 practice assessments on microsoft learn some exams have free practice assessments available in multiple languages that are delivered through microsoft learn to help you prepare for your exam practice assessments help you practice skills assess your knowledge and identify the areas where you need additional preparation to

[microsoft office practice test free ms office online practice tests](#) - Feb 26 2022

web microsoft office practice test assessment details microsoft office practice test 20 questions 20 marks 30 minutes details microsoft office training practice test to analyze your skills and knowledge base instructions to attempt this multiple choice test click the take test button

prepare for your microsoft word assessment test jobtestprep - Aug 03 2022

web jobtestprep offers a range of preparations options for microsoft word assessment tests according to test type expertise level and the microsoft word edition 10 13 we also offer a general test practice for candidates who do not know which test format to expect

microsoft word assessment tests practice questions - Mar 10 2023

web jun 8 2023 example interactive questions you will be given a word document that contains some text and will be asked to perform certain tasks

prep for certification exams with free practice assessments on - Oct 05 2022

web mar 6 2023 practice assessments provide instant feedback to highlight areas where you may need improvement a detailed explanation of the answer for every question along with links that point to additional resources can deepen

[how to pass a microsoft word test free practice questions](#) - May 12 2023

web a microsoft word test is an assessment designed to test your proficiency with using the programme the test focuses on a range of commonly used functions within microsoft word including document editing table and graphic

microsoft word quiz proprofs quiz - Jul 02 2022

web jul 7 2022 how much do you know about microsoft word think you can pass a test if you re a student preparing for a computer exam then look no further than this quiz the quiz can prove to be a good practice to test your microsoft word skills

including shortcut keys header and footer document display settings etc

microsoft word practical test to assess advanced ms word - Jan 28 2022

web advanced ms word test our microsoft word practical test is the ideal pre hire assessment for recruiters hiring managers to assess a candidate s skills objectively before an interview advanced word test is useful for hiring ms word experts and has helped our customers reduce hiring cost by 40

practice assessments for microsoft certifications - Jul 14 2023

web aug 30 2023 we re excited to announce practice assessments on microsoft learn our newest free exam preparation resource that allows you to assess your knowledge and fill knowledge gaps so that you are better prepared for your certification exam these assessments provide you with an overview of the style wording and difficulty of the

ms word test testdome - Sep 04 2022

web ms word test testdome skill assessments are used by more than 11 000 companies and 1 030 000 test takers for jobseekers practice your skills and earn a certificate of achievement when you score in the top 25 take a practice test for companies test candidates with real world problems and interview the best ones sign up to offer this test

microsoft word test candidate screening assessment tg - Dec 07 2022

web summary of the microsoft word test this online microsoft word test evaluates candidates ability to use microsoft word in a business context this skills test will help you hire candidates who are proficient in word and can use it as part of the microsoft office suite to complete their work

word tests microsoft word questions tips psychometric - Mar 30 2022

web aug 9 2023 practice microsoft word test with jobtestprep what format is a microsoft word test likely to be as you may expect your microsoft word assessment is highly likely to be interactive you will be asked to complete certain tasks replicating microsoft word s day to day use

free online microsoft word test isograd testing services - Nov 06 2022

web microsoft word tests assessment domains environment and methods page layout and formatting editing tools graphic objects and tables buy skills reports comprehensive and easy to interpret competency reports are generated at the end of each assessment test they help you to identify candidates skills at a glance

microsoft word assessment 2023 free practice test assessment - Aug 15 2023

web dec 27 2022 a free practice test is available for the word assessment test it s similar to what you will see in the prepacks and on the actual test it includes brief overviews of the test questions as well as providing useful diagrams that make understanding them a

microsoft office test practice word excel skills assessments - Apr 11 2023

web microsoft office practice tests jobtestprep offers you the opportunity to prepare for your microsoft excel and microsoft word assessment tests practicing microsoft excel and word questions greatly sharpens the skills evaluated on microsoft office tests and improves your chances to pass them

free microsoft word test preparation test prep xp - Apr 30 2022

web this is a free pre assessment guide for the microsoft word test here you can practice and improve your microsoft word skills with over 10 tests and sample questions

microsoft word skills assessment test criteria - Dec 27 2021

web about the word skills test identify the best candidates who are proficient in microsoft word using a fast and adaptive assessment the word test is designed to measure proficiency with a wide range of functionalities in microsoft word

microsoft word testlify - Jun 01 2022

web this test is to evaluate a person s current knowledge and skills in using microsoft word to identify areas for improvement or to certify that a person

microsoft word practical test free practice questions jobtestprep - Feb 09 2023

web ms word practical exam the microsoft word practical exam is used to measure your proficiency with ms word and its many functions the test format and difficulty depend on the position you are applying for however most exams will aim to cover basic intermediate and advanced word skills

your health today choices in a changing society edition 4 - Mar 29 2023

web your health today choices in a changing society 8th edition is written by michael teague sara mackenzie david rosenthal and published by mcgraw hill higher

your health today choices in a changing society 6th edition - Aug 22 2022

web jun 22 2021 description test bank for your health today teague 3e prepares you efficiently for your upcoming exams it contains practice test questions tailored for your

your health today choices in a changing society notes stuvia - May 19 2022

web sep 14 2016 your health today teaches personal health from a truly inclusive and socially responsible perspective enhanced by a unique set of digital learning tools your

your health today choices in a changing society mcgraw hill - Oct 04 2023

web mar 22 2023 we re here to help get real world support and resources every step of the way get the 9e of your health today choices in a changing society by michael

your health today teague michael l 1946 author archive org - Jul 21 2022

web jan 1 2015 your health today looseleaf loose leaf january 1 2015 by teague author loose leaf from 49 00 1 used from 49

00

your health today choices in a changing society - Dec 26 2022

web your health today choices in a changing society hardcover your health today teaches personal health from a perspective of social responsibility while each of us has

your health today choices in a changing society loose leaf - Feb 13 2022

your health today choices in a changing society mcgraw hill - Mar 17 2022

web nov 9 2010 teague has served as a health observer for the u s state department in east timor an advisory committee member for healthy people 2000 a taskforce

your health today by michael teague open library - Feb 25 2023

web nov 19 2008 your health today choices in a changing society michael teague sara mackenzie david rosenthal mcgraw hill education nov 19 2008 health fitness

your health today choices in a changing society 8th edition - Jan 27 2023

web description your health today teaches personal health from a perspective of social responsibility while each of us has a unique set of individual characteristics that shape

your health today choices in a changing society goodreads - Jun 19 2022

web get the 8e of your health today choices in a changing society by michael teague sara mackenzie and david rosenthal textbook ebook and other options isbn

your health today choices in a changing society - Apr 29 2023

web oct 31 2022 your health today by michael teague open library want to read more overview view 2 editions details reviews lists related books last edited by importbot

your health today choices in a changing society - Sep 03 2023

web aug 1 2018 your health today choices in a changing society 7th edition your health today teaches personal health from a perspective of social responsibility while each of

your health today choices in a changing society 9th edition - Oct 24 2022

web your health today by teague michael l 1946 author publication date 2011 topics health education health promotion publisher new york ny mcgraw hill

your health today choices in a changing society hardcover - Sep 22 2022

web jan 1 2005 this exciting text presents personal health in the context of a changing social and cultural environment going beyond behavior change and individual responsibility it

your health today choices in a changing society michael - Nov 24 2022

web jan 1 2018 loose leaf for your health today choices in a changing society 112 00 1 only 7 left in stock more on the way
personal health publisher mcgraw hill education

[your health today choices in a changing society mcgraw hill](#) - Jan 15 2022

your health today choices in a changing society teague - Jul 01 2023

web oct 5 2012 your health today choices in a changing society michael l teague ph d sara l c mackenzie david m rosenthal
mcgraw hill education oct 5 2012

your health today looseleaf teague 9781260022216 - Apr 17 2022

web mar 22 2023 get the 9e of your health today choices in a changing society by michael teague sara mackenzie and david
rosenthal textbook ebook and other options

your health today choices in a changing society michael l - May 31 2023

web oct 5 2012 your health today incorporates the individual interpersonal and broader social factors that affect our health
acting as a guide for healthy living in college and

your health today choices in a changing society teague - Aug 02 2023

web your health today choices in a changing society teague michael mackenzie sara rosenthal david amazon sg books

[your health today choices in a changing society google books](#) - Dec 14 2021