

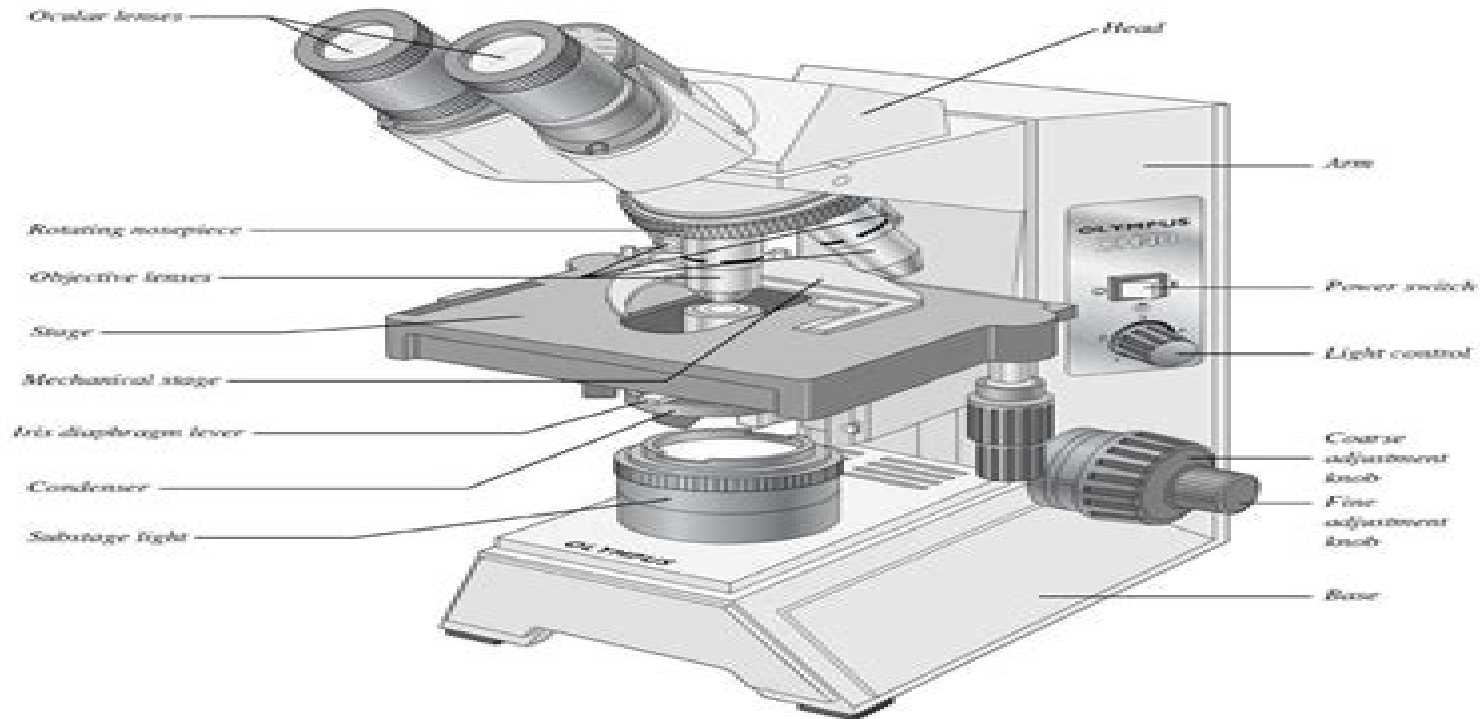
NAME _____

LAB TIME/DATE _____

The Microscope

Care and Structure of the Compound Microscope

1. Label all indicated parts of the microscope.



2. Explain the proper technique for transporting the microscope.

Carry with two hands—one supporting the base, the other holding the arm.

The Microscope Exercise 3 Answers

Disha Experts



The Microscope Exercise 3 Answers:

The Microscope Exercise 3 Answers Book Review: Unveiling the Power of Words

In some sort of driven by information and connectivity, the ability of words has become more evident than ever. They have the ability to inspire, provoke, and ignite change. Such may be the essence of the book **The Microscope Exercise 3 Answers**, a literary masterpiece that delves deep in to the significance of words and their affect our lives. Written by a renowned author, this captivating work takes readers on a transformative journey, unraveling the secrets and potential behind every word. In this review, we shall explore the book is key themes, examine its writing style, and analyze its overall affect readers.

<http://www.frostbox.com/files/browse/default.aspx/Unison%20Slick%20Mag%2047manual%20Tricia.pdf>

Table of Contents The Microscope Exercise 3 Answers

1. Understanding the eBook The Microscope Exercise 3 Answers
 - The Rise of Digital Reading The Microscope Exercise 3 Answers
 - Advantages of eBooks Over Traditional Books
2. Identifying The Microscope Exercise 3 Answers
 - Exploring Different Genres
 - Considering Fiction vs. Non-Fiction
 - Determining Your Reading Goals
3. Choosing the Right eBook Platform
 - Popular eBook Platforms
 - Features to Look for in an The Microscope Exercise 3 Answers
 - User-Friendly Interface
4. Exploring eBook Recommendations from The Microscope Exercise 3 Answers
 - Personalized Recommendations
 - The Microscope Exercise 3 Answers User Reviews and Ratings
 - The Microscope Exercise 3 Answers and Bestseller Lists

5. Accessing The Microscope Exercise 3 Answers Free and Paid eBooks
 - The Microscope Exercise 3 Answers Public Domain eBooks
 - The Microscope Exercise 3 Answers eBook Subscription Services
 - The Microscope Exercise 3 Answers Budget-Friendly Options
6. Navigating The Microscope Exercise 3 Answers eBook Formats
 - ePub, PDF, MOBI, and More
 - The Microscope Exercise 3 Answers Compatibility with Devices
 - The Microscope Exercise 3 Answers Enhanced eBook Features
7. Enhancing Your Reading Experience
 - Adjustable Fonts and Text Sizes of The Microscope Exercise 3 Answers
 - Highlighting and Note-Taking The Microscope Exercise 3 Answers
 - Interactive Elements The Microscope Exercise 3 Answers
8. Staying Engaged with The Microscope Exercise 3 Answers
 - Joining Online Reading Communities
 - Participating in Virtual Book Clubs
 - Following Authors and Publishers The Microscope Exercise 3 Answers
9. Balancing eBooks and Physical Books The Microscope Exercise 3 Answers
 - Benefits of a Digital Library
 - Creating a Diverse Reading Collection The Microscope Exercise 3 Answers
10. Overcoming Reading Challenges
 - Dealing with Digital Eye Strain
 - Minimizing Distractions
 - Managing Screen Time
11. Cultivating a Reading Routine The Microscope Exercise 3 Answers
 - Setting Reading Goals The Microscope Exercise 3 Answers
 - Carving Out Dedicated Reading Time
12. Sourcing Reliable Information of The Microscope Exercise 3 Answers
 - Fact-Checking eBook Content of The Microscope Exercise 3 Answers
 - Distinguishing Credible Sources
13. Promoting Lifelong Learning

- Utilizing eBooks for Skill Development
 - Exploring Educational eBooks
14. Embracing eBook Trends
- Integration of Multimedia Elements
 - Interactive and Gamified eBooks

The Microscope Exercise 3 Answers Introduction

In today's digital age, the availability of The Microscope Exercise 3 Answers books and manuals for download has revolutionized the way we access information. Gone are the days of physically flipping through pages and carrying heavy textbooks or manuals. With just a few clicks, we can now access a wealth of knowledge from the comfort of our own homes or on the go. This article will explore the advantages of The Microscope Exercise 3 Answers books and manuals for download, along with some popular platforms that offer these resources. One of the significant advantages of The Microscope Exercise 3 Answers books and manuals for download is the cost-saving aspect. Traditional books and manuals can be costly, especially if you need to purchase several of them for educational or professional purposes. By accessing The Microscope Exercise 3 Answers versions, you eliminate the need to spend money on physical copies. This not only saves you money but also reduces the environmental impact associated with book production and transportation. Furthermore, The Microscope Exercise 3 Answers books and manuals for download are incredibly convenient. With just a computer or smartphone and an internet connection, you can access a vast library of resources on any subject imaginable. Whether you're a student looking for textbooks, a professional seeking industry-specific manuals, or someone interested in self-improvement, these digital resources provide an efficient and accessible means of acquiring knowledge. Moreover, PDF books and manuals offer a range of benefits compared to other digital formats. PDF files are designed to retain their formatting regardless of the device used to open them. This ensures that the content appears exactly as intended by the author, with no loss of formatting or missing graphics. Additionally, PDF files can be easily annotated, bookmarked, and searched for specific terms, making them highly practical for studying or referencing. When it comes to accessing The Microscope Exercise 3 Answers books and manuals, several platforms offer an extensive collection of resources. One such platform is Project Gutenberg, a nonprofit organization that provides over 60,000 free eBooks. These books are primarily in the public domain, meaning they can be freely distributed and downloaded. Project Gutenberg offers a wide range of classic literature, making it an excellent resource for literature enthusiasts. Another popular platform for The Microscope Exercise 3 Answers books and manuals is Open Library. Open Library is an initiative of the Internet Archive, a non-profit organization dedicated to digitizing cultural artifacts and making them accessible to the public. Open Library hosts millions of books, including both public domain works and

contemporary titles. It also allows users to borrow digital copies of certain books for a limited period, similar to a library lending system. Additionally, many universities and educational institutions have their own digital libraries that provide free access to PDF books and manuals. These libraries often offer academic texts, research papers, and technical manuals, making them invaluable resources for students and researchers. Some notable examples include MIT OpenCourseWare, which offers free access to course materials from the Massachusetts Institute of Technology, and the Digital Public Library of America, which provides a vast collection of digitized books and historical documents. In conclusion, The Microscope Exercise 3 Answers books and manuals for download have transformed the way we access information. They provide a cost-effective and convenient means of acquiring knowledge, offering the ability to access a vast library of resources at our fingertips. With platforms like Project Gutenberg, Open Library, and various digital libraries offered by educational institutions, we have access to an ever-expanding collection of books and manuals. Whether for educational, professional, or personal purposes, these digital resources serve as valuable tools for continuous learning and self-improvement. So why not take advantage of the vast world of The Microscope Exercise 3 Answers books and manuals for download and embark on your journey of knowledge?

FAQs About The Microscope Exercise 3 Answers Books

What is a The Microscope Exercise 3 Answers PDF? A PDF (Portable Document Format) is a file format developed by Adobe that preserves the layout and formatting of a document, regardless of the software, hardware, or operating system used to view or print it. **How do I create a The Microscope Exercise 3 Answers PDF?** There are several ways to create a PDF: Use software like Adobe Acrobat, Microsoft Word, or Google Docs, which often have built-in PDF creation tools. Print to PDF: Many applications and operating systems have a "Print to PDF" option that allows you to save a document as a PDF file instead of printing it on paper. Online converters: There are various online tools that can convert different file types to PDF. **How do I edit a The Microscope Exercise 3 Answers PDF?** Editing a PDF can be done with software like Adobe Acrobat, which allows direct editing of text, images, and other elements within the PDF. Some free tools, like PDFescape or Smallpdf, also offer basic editing capabilities. **How do I convert a The Microscope Exercise 3 Answers PDF to another file format?** There are multiple ways to convert a PDF to another format: Use online converters like Smallpdf, Zamzar, or Adobe Acrobats export feature to convert PDFs to formats like Word, Excel, JPEG, etc. Software like Adobe Acrobat, Microsoft Word, or other PDF editors may have options to export or save PDFs in different formats. **How do I password-protect a The Microscope Exercise 3 Answers PDF?** Most PDF editing software allows you to add password protection. In Adobe Acrobat, for instance, you can go to "File" -> "Properties" -> "Security" to set a password to restrict access or editing

capabilities. Are there any free alternatives to Adobe Acrobat for working with PDFs? Yes, there are many free alternatives for working with PDFs, such as: LibreOffice: Offers PDF editing features. PDFsam: Allows splitting, merging, and editing PDFs. Foxit Reader: Provides basic PDF viewing and editing capabilities. How do I compress a PDF file? You can use online tools like Smallpdf, ILovePDF, or desktop software like Adobe Acrobat to compress PDF files without significant quality loss. Compression reduces the file size, making it easier to share and download. Can I fill out forms in a PDF file? Yes, most PDF viewers/editors like Adobe Acrobat, Preview (on Mac), or various online tools allow you to fill out forms in PDF files by selecting text fields and entering information. Are there any restrictions when working with PDFs? Some PDFs might have restrictions set by their creator, such as password protection, editing restrictions, or print restrictions. Breaking these restrictions might require specific software or tools, which may or may not be legal depending on the circumstances and local laws.

Find The Microscope Exercise 3 Answers :

~~unison slick mag 47 manual tricia~~

unit vii test answers

unit 8 southeast asia review the answers

~~unisphere analyzer admin guide~~

unit 7 test study guide polynomials and factoring answers

unisa nsfas forms

unit 12 topic in analytic geometry homework

unit 5 lecon 14 block scheduling copymasters answer

unit 10 personality review guide

unit 06 lesson 03 key

unit 6 lesson 38 answers activity 3

unit test patterns refactoring test code

unit 1 foundation of government answers

unima 2014 undergraduate application form

unit 10 circles homework 3 chords and arcs

The Microscope Exercise 3 Answers :

katalogu i librave shkollorë klasa ix shkollaime al - Jan 30 2022

katalogu i librave shkollorë klasa ix provimet kombëtare - Jan 10 2023

web 4 lënda ët e fushës gjysmëvjetori i klasa 8 gjysmëvjetori ii kompetenca e komunikimit janar prill i dhe të shprehurit shtator nëntor shkurt maj

9 sif matematik yazılı sorulari 2022 2023 kerimhoca com - Jun 03 2022

web tekstet shkollorë klasa ix 2018 titulli matematika 9 autori deborah barton përktheu neritan babamusta edmond lulja isbn libër për mësuesin matematika 9 shkollaime al - Aug 17 2023

web apr 3 2020 follow rtk klasa 9 matematikë shumëzimi i vektorit me numër skalarë 03 04 2020facebook smarturl it rtkfbweb smarturl it rtkwebpowered

9 sif matematik yazılı sorulari 2023 2024 hangisoru com - Oct 27 2021

plani vjetor matematike pdf scribd - Sep 06 2022

web gëncel lise mufredata uygun 9 sif ucretsiz matematik ders notlari ve detayli konu anlatimlari meb uyumlu

matematika 9 libër bazë dukagjinibotime com - Sep 18 2023

web 8 lësuesi plani mësimor vjetor klasa ix1 fusha matematika lënda matematika 1 plani vjetor është hartuar sipas tekstit të oxford për matematikën ix

matematke klasa ix slideshare - Apr 13 2023

web milli eğitim bakanlığı nın yayımladığı gëncel matematik programında yer alan 9 sif matematik dersi üniteleri konulari süreleri ve kazanimlari aşağıda verilmiştir konuların

matematika 9 leksione dhe ushtrime te zgjidhura - Jul 16 2023

web aug 11 2020 denis zavalani 7 05k subscribers subscribe 3 7k views 3 years ago matematika klasa 10 nënbashkësia bashkësitë e barabarta le të jenë a

9 matematika 10 mesimi 9 nenbashkesia bashkesite e barabarta - May 14 2023

web klasa ix provimet kombëtare të arsimit bazë titulli ushtrime matematike autori neritan babamusta edmond lulja isbn 978 9928 233 33 2 Çmimi 500 lekë

klasa ix ministria e arsimit dhe sportit - Dec 29 2021

klasa 9 matematikë shumëzimi i vektorit me numër - Jun 15 2023

web [aşağıdaki bağlantıları tıklayarak 2021 2022 eğitim Öğretim yılında okutulacak 9 sınıf matematik ders kitaplarını 10 sınıf matematik ders kitaplarını 11 sınıf matematik ders](#)

[2022 2023 meb eba matematik ders kitabı pdf indir 9 10](#) - Feb 11 2023

web [27 30 9 31 34 10 teste matematike test prmbledhs 9 kapitulli ix funksioni msimet 1 7 kapitulli x statistik dhe probabiliteti msimet 1 6 grupi a 1 jepen bashksit a](#)

teste matematika ix indd albas yumpu - Apr 01 2022

web [ekonomikos mokymui si parengeme naujos kartos vadoveli eekonomika 9 10 tai atnaujintas priderintas prie dabarties realiju papildytas interaktyvus vadovelis sukurtas](#)

matematika 9 libri i mEsuesit dukagjinibotime com - Nov 08 2022

web [17 buku siswa matematika kelas 9 revisi 2018 pdf sign in details](#)

teste matematika ix pdf scribd - Oct 07 2022

web [9 sınıf öğrencilerinin matematik dersi yazılı sınavlarına hazırlanması ve öğretmenlerin kullanımı amacıyla hazırlanan yazılı sorularını aşağıdaki bağlantılardan indirebilirsiniz 1](#)

[9 sınıf matematik ders notları ve detaylı konu anlatımı bikifi](#) - May 02 2022

web [matematika 9 uegen kristaq gjino bashkim muka vladimir muka 3 49 6 matematika 9 albpaper diana starja zenepe shkoza 2 35 2 matematika 9 shblsh e re kujtim](#)

klasa 9 matematikë përpjesa e segmenteve 06 04 2020 - Aug 05 2022

web [dec 31 2014 teste matematike br test përmbledhës 9 br kapitulli strong ix strong funksioni mësimet 1 7 br kapitulli x statistikë dhe](#)

[17 buku siswa matematika kelas 9 revisi 2018 pdf google drive](#) - Jul 04 2022

web [matematika 9 pegi zgjidhje ushtrimesh sputnik al zgjidhjet e ushtrimeve të librit matematika 9 nga shtëpia botuese pegi me autorë deborah barton lista e librave](#)

[9 sınıf matematik konuları ve kazanımları kerimhoca com](#) - Dec 09 2022

web [klasa 9 matematikë përpjesa e segmenteve 06 04 2020 youtube 0 00 12 15 rtk is funded in whole or in part by the kosovar government](#)

[matematika 9 pegi zgjidhje ushtrimesh sputnik al](#) - Feb 28 2022

web [9 sınıf matematik yazılı soruları güncel meb müfredatına ve kazanımlarına uygun olarak hangisoru öğretmenleri tarafından güncellenen 9 sınıf matematik yazılı sorularını](#)

10 matematika klasa 9 mesimi 10 ushtrime - Mar 12 2023

web [klasa e pestë arsimit i mesëm i ulët klasa e gjashtë klasa e shtatë klasa e tetë arsimit i mesëm i lartë klasa e nëntë klasa e](#)

dhjetë klasa e njëmbëdhjetë planet për
evadoveliai lt - Nov 27 2021

new file how to open new file and what it is - Apr 03 2022

web feb 24 2023 what is a new file learn about the file formats using this extension and how to open new files download a new opener learn from the file experts at file org

what s new with file explorer on windows 11 2022 update - Dec 11 2022

web oct 18 2022 on the windows 11 2022 update file explorer introduces a new home page experience the page is technically quick access but has a different name a new home icon and several other changes

advanced file revision system filehamster - Sep 08 2022

web automatically creates new revisions each time you save your files quickly annotate comment on each revision generate reports so you can more easily review past drafts hook up your favorite diffing program so you can easily compare each draft and much more with paid versions filehamster is the easiest backup solution ever

open new file file extensions org - Jun 05 2022

web list of software applications associated to the new file extension recommended software programs are sorted by os platform windows macos linux ios android etc and possible program actions that can be done with the file like open new file edit new file convert new file view new file play new file etc if exist software for

new file advanced final exam bing pdf uniport edu - Jul 18 2023

web aug 15 2023 new file advanced final exam bing 1 1 downloaded from uniport edu ng on august 15 2023 by guest new file advanced final exam bing this is likewise one of the factors by obtaining the soft documents of this new file advanced final exam bing by online you might not require more times to spend to go to the ebook launch as skillfully

new file advanced final exam bing pdf download only - Apr 15 2023

web introduction new file advanced final exam bing pdf download only understanding english grammar hung tony t n 2005 01 01 this book aims at helping learners of english particularly those whose first language is chinese to improve their understanding of and their competence in english grammar

new file advanced final exam bing full pdf ci kubesail - Jan 12 2023

web exam ref 70 485 advanced windows store app development using c mcsd market leader 3rd edition advanced test file new file advanced final exam bing downloaded from ci kubesail com by guest

ebook new file advanced final exam bing - Jun 17 2023

web new file advanced final exam bing dynamics and mission design near libration points advanced methods for collinear

points feb 08 2022 this book studies several problems related to the analysis of planned or possible spacecraft missions it is divided into four chapters the first

new file advanced final exam bing pdf uniport edu - Aug 19 2023

web jul 18 2023 you could purchase lead new file advanced final exam bing or acquire it as soon as feasible you could speedily download this new file advanced final exam bing after getting deal

new file advanced final exam bing help discoveram - Nov 10 2022

web may 15 2023 new file advanced final exam bing ttas officiated as jtos and name included in the case filed by snea in pcat new delhi is already endorsed to circles get help support and tutorials for windows products windows 10 windows 8 1 windows

new file advanced final exam bing raymond nutting pdf - Feb 01 2022

web new file advanced final exam bing that you are looking for it will entirely squander the time however below gone you visit this web page it will be hence very simple to acquire as well as download lead new file advanced final exam bing it

new file advanced final exam bing download only - Sep 20 2023

web oct 11 2023 new file advanced final exam bing download only ead3 archivists org subject new file advanced final exam bing download only created date 10 11 2023 7 38 35 pm

new file what is a new file and how do i open it fileinfo com - Aug 07 2022

web dec 14 2018 a new file is a g suite file used by g suite programs including docs slides sheets forms and sites to create a new blank file it does not contain any actual information instead it is used as a link that can be typed into a web browser to create a new blank g suite file that can be edited and saved by the appropriate g suite application

new file advanced final exam bing pdf ws 1 ps2pdf - May 04 2022

web new file advanced final exam bing systems of insight for digital transformation using ibm operational decision manager advanced and predictive analytics solidworks 2013 part ii advanced techniques

new file advanced final exam bing mauro conti - May 16 2023

web the beginning of each chapter exam tips practice exam questions and in depth explanations designed to help you pass the exam with ease this definitive volume also serves as an essential on the job reference covers all exam domains including threats attacks and vulnerabilities technologies and tools

new file advanced final exam bing uniport edu - Mar 14 2023

web aug 12 2023 merely said the new file advanced final exam bing is universally compatible subsequently any devices to read exam 77 881 microsoft word 2010 microsoft official academic course 2011 09 21

new file advanced final exam bing uniport edu - Mar 02 2022

web apr 1 2023 new file advanced final exam bing 1 10 downloaded from uniport edu ng on april 1 2023 by guest new file advanced final exam bing this is likewise one of the factors by obtaining the soft documents of this new file advanced final exam bing by online you might not require more era to spend to go to the books inauguration as

new file advanced final exam bing download only - Jul 06 2022

web new file advanced final exam bing 5 5 assemblies and core and cavity molds every lesson and exercise in this book was created based on real world projects each of these projects have been broken down and developed into easy and comprehensible steps for the reader furthermore at the end of every

new file advanced final exam bing - Oct 09 2022

web 2 new file advanced final exam bing 2020 01 19 to provide a clear and user friendly introduction to the procedures and rules of effective meta analytic integration to present the implicit assumptions and strategies that guide successful meta analytic integrations and to develop a meta analytic database management system that

new file advanced final exam bing pdf staging friends library - Feb 13 2023

web nov 24 2022 install the new file advanced final exam bing it is very simple then in the past currently we extend the associate to purchase and make bargains to download and install new file advanced final exam bing fittingly simple the pharmaceutical era 1902 programming in c exam 70 483 mcsd guide simaranjit singh bhalla 2019 10 31

methods in enzymology part b proteolytic enzymes - May 29 2023

web isbn 978 0 12 181945 3 issn 0076 6879 read the latest chapters of methods in enzymology at sciencedirect com elsevier s leading platform of peer reviewed scholarly literature

methods in enzymology all bookseries volumes sciencedirect - Apr 27 2023

web 2009 volumes 452 469 2008 volumes 436 451 2007 volumes 421 435 2006 volumes 406 420 2005 volumes 391 405 2004 volumes 378 390 page 1 of 4 read the latest chapters of methods in enzymology at sciencedirect com elsevier s leading platform of peer reviewed scholarly literature

northern blotting pubmed - Jun 17 2022

web methods enzymol 2013 530 75 87 doi 10 1016 b978 0 12 420037 1 00003 8 authors shan l he 1 rachel green affiliation 1 department of molecular biology and genetics the johns hopkins university school of medicine baltimore md

reverse transcription pcr rt pcr pubmed - Aug 20 2022

web rt pcr is commonly used to test for genetic diseases and to characterize gene expression in various tissue types cell types and over developmental time courses this serves as a form of expression profiling but typically as a candidate approach

[methods in enzymology macromolecular crystallography part a](#) - Nov 22 2022

web read the latest chapters of methods in enzymology at sciencedirect com elsevier s leading platform of peer reviewed

scholarly literature

methods in enzymology elsevier - Feb 11 2022

web methods volume 641 in the methods in enzymology series continues the legacy of this premier serial with quality chapters authored by leaders in the field chapters in this new release include caged cyclopropanes with improved tetrazine ligation kinetics an analysis of metabolically labeled inositol phosphate messengers by nmr cell permeant

methods in enzymology book series sciencedirect com by - Sep 01 2023

web read the latest chapters of methods in enzymology at sciencedirect com elsevier s leading platform of peer reviewed scholarly literature

methods in enzymology researchgate - Jul 19 2022

web the ca² phospholipid dependent protein kinase protein kinase c is a protein serine threonine kinase involved in the regulation of many cellular processes including cellular growth

methods in enzymology scimago journal country rank - May 17 2022

web the critically acclaimed laboratory standard for almost 50 years methods in enzymology is one of the most highly respected publications in the field of biochemistry each volume is eagerly awaited frequently consulted and praised by researchers and reviewers alike now with over 500 volumes the series contains much material still relevant

rna purification precipitation methods sciencedirect - Feb 23 2023

web jan 1 2013 when working with rna the need often arises to concentrate a sample or purify it from various salts nucleotides and proteins rna precipitation is an easy and cost effective method for the concentration of rna leaving a pellet that can be resuspended in the buffer of choice

methods in enzymology laboratory methods in enzymology - Dec 24 2022

web methods in enzymology laboratory methods in enzymology rna preface methods in enzymology laboratory methods in enzymology rna methods enzymol 2013 530 xxi doi 10 1016 b978 0 12 420037 1 09986 3 author jon lorsch 1 affiliation 1johns hopkins university school of medicine pmid 24034335

[methods in enzymology enzymes in rna science and](#) - Sep 20 2022

web 17 hours ago read the latest chapters of methods in enzymology at sciencedirect com elsevier s leading platform of peer reviewed scholarly literature

methods in enzymology elsevier - Jul 31 2023

web aim scope the critically acclaimed laboratory standard since 1955 methods in enzymology is one of the most highly respected publications in the field of biochemistry each volume is eagerly awaited frequently consulted and praised by researchers and reviewers alike

[laboratory methods in enzymology rna sciencedirect](#) - Oct 02 2023

web read the latest chapters of methods in enzymology at sciencedirect com elsevier s leading platform of peer reviewed scholarly literature

[methods in enzymology nucleic acids part b sciencedirect](#) - Jun 29 2023

web read the latest chapters of methods in enzymology at sciencedirect com elsevier s leading platform of peer reviewed scholarly literature

methods in enzymology biomembranes part m sciencedirect - Oct 22 2022

web read the latest chapters of methods in enzymology at sciencedirect com elsevier s leading platform of peer reviewed scholarly literature

reverse transcription pcr rt pcr sciencedirect - Jan 25 2023

web jan 1 2013 keywords 1 theory rt pcr couples a reverse transcription reaction with pcr based amplification to generate cdna from mrna an rna sequence acts as the template for reverse transcriptase the resulting single stranded dna then serves as the template for pcr

[laboratory methods in enzymology rna volume 530 1st](#) - Mar 27 2023

web sep 11 2013 in this volume we have brought together a number of core protocols concentrating on rna complementing the traditional content that is found in past present and future methods in enzymology volumes key features

[laboratory methods in enzymology protein part a elsevier](#) - Mar 15 2022

web jan 8 2014 the critically acclaimed laboratory standard for almost 50 years methods in enzymology is one of the most highly respected publications in the field of biochemistry each volume is eagerly awaited frequently consulted and praised by researchers and reviewers alike

methods in enzymology laboratory methods in enzymology - Apr 15 2022

web laboratory methods in enzymology protein part a preface methods in enzymology laboratory methods in enzymology protein part a preface methods enzymol 2014 536 xv doi 10 1016 b978 0 12 420070 8 09988 8 author jon lorsch 1 affiliation 1 johns hopkins university school of