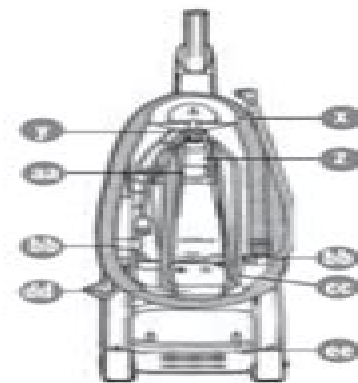
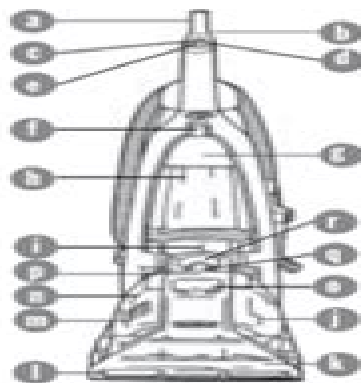


Parts checklist

2



- 1 Handle
- 2 Solution trigger
- 3 Brush on/off
- 4 Soap on/off
- 5 Power on/off
- 6 Clean water tank release
- 7 Clean water tank carry handle
- 8 Clean water tank
- 9 Cleaning solution soap tank
- 10 Drain cap
- 11 Dual brushbars

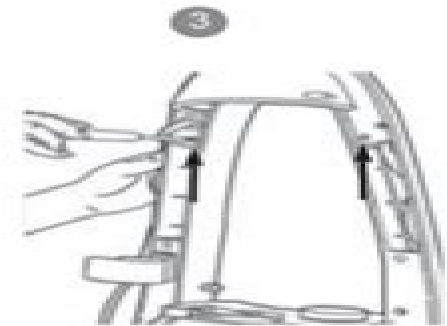
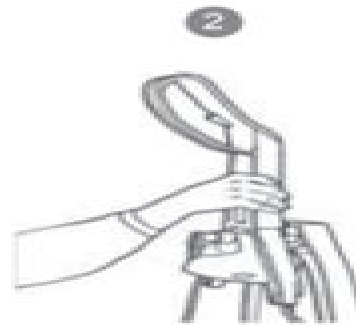
- 12 Front suction nozzle
- 13 Dirty water tank
- 14 Floor/tools selector
- 15 Hose attachment cover
- 16 Dirty water tank handle
- 17 Dirty water tank nozzle tab
- 18 Dirty water tank latch
- 19 Detachable tool storage
- 20 Hose
- 21 Water supply connector
- 22 Upholstery wash tool

- 23 Upholstery tool trigger
- 24 Solution/hose clip
- 25 Quick cord release
- 26 Carrying handle
- 27 Clean water tank cap
- 28 Hose storage clips
- 29 Power cord
- 30 Cord wrap
- 31 Handle release pedal

Putting your cleaner together

Phillips screwdriver required

3



Remove your Rapide XL from the carton with caution. The handle is connected to the body by a cord.

Note: Do not tug or pull on the cord.

Line up the handle to the upper body of the machine and slide into place.

Secure from the back with the two smaller screws.

Vax Rapide Carpet Cleaner Instruction Manual

Joacim Rocklöv



Vax Rapide Carpet Cleaner Instruction Manual:

VAX BASIC. ,1986 **VAX** Digital Equipment Corporation,1986 **Hoover PowerDash Pet Carpet Cleaner User's Manual** Hoover Force Io0v8,2019-05-23 Unofficial User Guide The Hoover PowerDash Complete Carpet Cleaner easily tackles pet messes and everyday stains It delivers 2X More Cleaning Power than the leading lightweight carpet cleaner Our new PowerSpin Pet Brush Roll provides a powerful clean for high traffic areas and small spaces and the antimicrobial protection keeps your brush roll safe from odor and bacteria The lightweight design makes it easy to use anywhere while the compact design makes storage a breeze Designed with HeatForce power to deliver faster drying for all your messes Our Dual Tank System keeps clean and dirty water separate plus its is easy to fill empty and rinse while the removable nozzle allows you to easily clean away all that dirt and grime The Low Profile Foot helps you easily reach and remove stains in tight places and under furniture for a more convenient cleaning experience Tackle pet messes and everyday stains with the new Hoover PowerDash Complete Carpet Cleaner **VAX PL/1 User Manual** Digital Equipment Corporation,1987 **VAX PL/I** ,1987 **VAX/VMS user's manual** ,1986 **Wofford Vax** Benjamin Franklin Varn,1994 **Hoover PowerDash Pet Carpet Cleaner User's Manual** Hoover Force,2019-05-09 Unofficial User Guide The Hoover PowerDash Complete Carpet Cleaner easily tackles pet messes and everyday stains It delivers 2X More Cleaning Power than the leading lightweight carpet cleaner Our new PowerSpin Pet Brush Roll provides a powerful clean for high traffic areas and small spaces and the antimicrobial protection keeps your brush roll safe from odor and bacteria The lightweight design makes it easy to use anywhere while the compact design makes storage a breeze Designed with HeatForce power to deliver faster drying for all your messes Our Dual Tank System keeps clean and dirty water separate plus its is easy to fill empty and rinse while the removable nozzle allows you to easily clean away all that dirt and grime The Low Profile Foot helps you easily reach and remove stains in tight places and under furniture for a more convenient cleaning experience Tackle pet messes and everyday stains with the new Hoover PowerDash Complete Carpet Cleaner *VAX/VMS user's manual* ,1986 **VAX MACRO and Instruction Set Reference Manual** ,1984 **Instruction Booklet DC03** Dyson,1997 Instruction manual for a vacuum cleaner

Unveiling the Power of Verbal Art: An Emotional Sojourn through **Vax Rapide Carpet Cleaner Instruction Manual**

In some sort of inundated with displays and the cacophony of fast connection, the profound energy and emotional resonance of verbal art often disappear in to obscurity, eclipsed by the regular assault of sound and distractions. Yet, set within the lyrical pages of **Vax Rapide Carpet Cleaner Instruction Manual**, a charming work of fictional splendor that pulses with raw emotions, lies an wonderful trip waiting to be embarked upon. Composed by way of a virtuoso wordsmith, that enchanting opus guides readers on an emotional odyssey, delicately exposing the latent potential and profound affect stuck within the delicate internet of language. Within the heart-wrenching expanse of the evocative examination, we will embark upon an introspective exploration of the book is main styles, dissect its fascinating publishing model, and immerse ourselves in the indelible impression it leaves upon the depths of readers souls.

http://www.frostbox.com/data/publication/default.aspx/The_Proper_Way_To_Write_An_Essay.pdf

Table of Contents Vax Rapide Carpet Cleaner Instruction Manual

1. Understanding the eBook Vax Rapide Carpet Cleaner Instruction Manual
 - The Rise of Digital Reading Vax Rapide Carpet Cleaner Instruction Manual
 - Advantages of eBooks Over Traditional Books
2. Identifying Vax Rapide Carpet Cleaner Instruction Manual
 - Exploring Different Genres
 - Considering Fiction vs. Non-Fiction
 - Determining Your Reading Goals
3. Choosing the Right eBook Platform
 - Popular eBook Platforms
 - Features to Look for in an Vax Rapide Carpet Cleaner Instruction Manual
 - User-Friendly Interface
4. Exploring eBook Recommendations from Vax Rapide Carpet Cleaner Instruction Manual
 - Personalized Recommendations

- Vax Rapide Carpet Cleaner Instruction Manual User Reviews and Ratings
- Vax Rapide Carpet Cleaner Instruction Manual and Bestseller Lists
- 5. Accessing Vax Rapide Carpet Cleaner Instruction Manual Free and Paid eBooks
 - Vax Rapide Carpet Cleaner Instruction Manual Public Domain eBooks
 - Vax Rapide Carpet Cleaner Instruction Manual eBook Subscription Services
 - Vax Rapide Carpet Cleaner Instruction Manual Budget-Friendly Options
- 6. Navigating Vax Rapide Carpet Cleaner Instruction Manual eBook Formats
 - ePub, PDF, MOBI, and More
 - Vax Rapide Carpet Cleaner Instruction Manual Compatibility with Devices
 - Vax Rapide Carpet Cleaner Instruction Manual Enhanced eBook Features
- 7. Enhancing Your Reading Experience
 - Adjustable Fonts and Text Sizes of Vax Rapide Carpet Cleaner Instruction Manual
 - Highlighting and Note-Taking Vax Rapide Carpet Cleaner Instruction Manual
 - Interactive Elements Vax Rapide Carpet Cleaner Instruction Manual
- 8. Staying Engaged with Vax Rapide Carpet Cleaner Instruction Manual
 - Joining Online Reading Communities
 - Participating in Virtual Book Clubs
 - Following Authors and Publishers Vax Rapide Carpet Cleaner Instruction Manual
- 9. Balancing eBooks and Physical Books Vax Rapide Carpet Cleaner Instruction Manual
 - Benefits of a Digital Library
 - Creating a Diverse Reading Collection Vax Rapide Carpet Cleaner Instruction Manual
- 10. Overcoming Reading Challenges
 - Dealing with Digital Eye Strain
 - Minimizing Distractions
 - Managing Screen Time
- 11. Cultivating a Reading Routine Vax Rapide Carpet Cleaner Instruction Manual
 - Setting Reading Goals Vax Rapide Carpet Cleaner Instruction Manual
 - Carving Out Dedicated Reading Time
- 12. Sourcing Reliable Information of Vax Rapide Carpet Cleaner Instruction Manual
 - Fact-Checking eBook Content of Vax Rapide Carpet Cleaner Instruction Manual

- Distinguishing Credible Sources
- 13. Promoting Lifelong Learning
 - Utilizing eBooks for Skill Development
 - Exploring Educational eBooks
- 14. Embracing eBook Trends
 - Integration of Multimedia Elements
 - Interactive and Gamified eBooks

Vax Rapide Carpet Cleaner Instruction Manual Introduction

Free PDF Books and Manuals for Download: Unlocking Knowledge at Your Fingertips In today's fast-paced digital age, obtaining valuable knowledge has become easier than ever. Thanks to the internet, a vast array of books and manuals are now available for free download in PDF format. Whether you are a student, professional, or simply an avid reader, this treasure trove of downloadable resources offers a wealth of information, conveniently accessible anytime, anywhere. The advent of online libraries and platforms dedicated to sharing knowledge has revolutionized the way we consume information. No longer confined to physical libraries or bookstores, readers can now access an extensive collection of digital books and manuals with just a few clicks. These resources, available in PDF, Microsoft Word, and PowerPoint formats, cater to a wide range of interests, including literature, technology, science, history, and much more. One notable platform where you can explore and download free Vax Rapide Carpet Cleaner Instruction Manual PDF books and manuals is the internet's largest free library. Hosted online, this catalog compiles a vast assortment of documents, making it a veritable goldmine of knowledge. With its easy-to-use website interface and customizable PDF generator, this platform offers a user-friendly experience, allowing individuals to effortlessly navigate and access the information they seek. The availability of free PDF books and manuals on this platform demonstrates its commitment to democratizing education and empowering individuals with the tools needed to succeed in their chosen fields. It allows anyone, regardless of their background or financial limitations, to expand their horizons and gain insights from experts in various disciplines. One of the most significant advantages of downloading PDF books and manuals lies in their portability. Unlike physical copies, digital books can be stored and carried on a single device, such as a tablet or smartphone, saving valuable space and weight. This convenience makes it possible for readers to have their entire library at their fingertips, whether they are commuting, traveling, or simply enjoying a lazy afternoon at home. Additionally, digital files are easily searchable, enabling readers to locate specific information within seconds. With a few keystrokes, users can search for keywords, topics, or phrases, making research and finding relevant information a breeze. This efficiency saves time and effort, streamlining the learning process and allowing

individuals to focus on extracting the information they need. Furthermore, the availability of free PDF books and manuals fosters a culture of continuous learning. By removing financial barriers, more people can access educational resources and pursue lifelong learning, contributing to personal growth and professional development. This democratization of knowledge promotes intellectual curiosity and empowers individuals to become lifelong learners, promoting progress and innovation in various fields. It is worth noting that while accessing free Vax Rapide Carpet Cleaner Instruction Manual PDF books and manuals is convenient and cost-effective, it is vital to respect copyright laws and intellectual property rights. Platforms offering free downloads often operate within legal boundaries, ensuring that the materials they provide are either in the public domain or authorized for distribution. By adhering to copyright laws, users can enjoy the benefits of free access to knowledge while supporting the authors and publishers who make these resources available. In conclusion, the availability of Vax Rapide Carpet Cleaner Instruction Manual free PDF books and manuals for download has revolutionized the way we access and consume knowledge. With just a few clicks, individuals can explore a vast collection of resources across different disciplines, all free of charge. This accessibility empowers individuals to become lifelong learners, contributing to personal growth, professional development, and the advancement of society as a whole. So why not unlock a world of knowledge today? Start exploring the vast sea of free PDF books and manuals waiting to be discovered right at your fingertips.

FAQs About Vax Rapide Carpet Cleaner Instruction Manual Books

1. Where can I buy Vax Rapide Carpet Cleaner Instruction Manual books? Bookstores: Physical bookstores like Barnes & Noble, Waterstones, and independent local stores. Online Retailers: Amazon, Book Depository, and various online bookstores offer a wide range of books in physical and digital formats.
2. What are the different book formats available? Hardcover: Sturdy and durable, usually more expensive. Paperback: Cheaper, lighter, and more portable than hardcovers. E-books: Digital books available for e-readers like Kindle or software like Apple Books, Kindle, and Google Play Books.
3. How do I choose a Vax Rapide Carpet Cleaner Instruction Manual book to read? Genres: Consider the genre you enjoy (fiction, non-fiction, mystery, sci-fi, etc.). Recommendations: Ask friends, join book clubs, or explore online reviews and recommendations. Author: If you like a particular author, you might enjoy more of their work.
4. How do I take care of Vax Rapide Carpet Cleaner Instruction Manual books? Storage: Keep them away from direct sunlight and in a dry environment. Handling: Avoid folding pages, use bookmarks, and handle them with clean hands. Cleaning: Gently dust the covers and pages occasionally.

5. Can I borrow books without buying them? Public Libraries: Local libraries offer a wide range of books for borrowing. Book Swaps: Community book exchanges or online platforms where people exchange books.
6. How can I track my reading progress or manage my book collection? Book Tracking Apps: Goodreads, LibraryThing, and Book Catalogue are popular apps for tracking your reading progress and managing book collections. Spreadsheets: You can create your own spreadsheet to track books read, ratings, and other details.
7. What are Vax Rapide Carpet Cleaner Instruction Manual audiobooks, and where can I find them? Audiobooks: Audio recordings of books, perfect for listening while commuting or multitasking. Platforms: Audible, LibriVox, and Google Play Books offer a wide selection of audiobooks.
8. How do I support authors or the book industry? Buy Books: Purchase books from authors or independent bookstores. Reviews: Leave reviews on platforms like Goodreads or Amazon. Promotion: Share your favorite books on social media or recommend them to friends.
9. Are there book clubs or reading communities I can join? Local Clubs: Check for local book clubs in libraries or community centers. Online Communities: Platforms like Goodreads have virtual book clubs and discussion groups.
10. Can I read Vax Rapide Carpet Cleaner Instruction Manual books for free? Public Domain Books: Many classic books are available for free as they're in the public domain. Free E-books: Some websites offer free e-books legally, like Project Gutenberg or Open Library.

Find Vax Rapide Carpet Cleaner Instruction Manual :

the proper way to write an essay

the price of pleasure

[the pussy trap 2 the kiss of death](#)

~~the preacher s kid guide to survival~~

~~the revenge of seven~~

the persistence of nationalism from imagined communities to urban encounters

[the prophets dictionary the ultimate guide to supernatural wisdom](#)

the punisher vol 3 business as usual by garth ennis

[the problem with paddy shrew company book english edition](#)

the rip and the rhythm

the romance vote english edition

the peasant robbers of kedah 1900 1929 historical and folk perceptions

the reading lie magical missy moo book 1

the piping guide by david sherwood

~~the rest of me bleeding life~~

Vax Rapide Carpet Cleaner Instruction Manual :

istanbul university institute of business economics - Feb 09 2023

web school of business institute of business administration institute about us administrative student application requirements and official deadlines online

master of business administration mba retail - Nov 06 2022

web bba in retail management is a 3 year full time undergraduate course divided into 6 semesters retail management is concerned with principles of retailing and retail

bba retail management bachelor of business - May 12 2023

web nov 2 2022 the bachelor of business administration in retail management degree focuses on several aspects of a retail business such as purchasing marketing

institute of business administration retailing 2022 - Sep 23 2021

web 1 day ago show more companies sept 14 reuters president joe biden s administration is discussing emergency aid to protect smaller firms that supply u s

bba in retail management collegedekho - Sep 04 2022

web overview jobs syllabus master of business administration mba executive retail management latest notifications 19 august 2023 job search strategies for mba

institute of business administration retailing secure4 khronos - Jul 22 2021

web humans still do the heavy lifting like medical research but artificial intelligence is starting to help out in healthcare too one insurance company is automating administrative

bba in retailing admission 2023 24 syllabus eligibility - Feb 26 2022

web sep 12 2023 pwc confirmed that 124 wilko stores were set to close by sept 21 while the timing for the closure of the remaining 222 stores has yet to be announced the

mba in retail management syllabus scope colleges - Jun 01 2022

web this course is an introduction to understanding retail business in this course we will try to unravel the business model of a retail business essentially the brick and mortar

Istanbul University school of business - Mar 30 2022

web bba in retailing admission 2023 24 course fees structure career prospects and jobs scope salary payscale for bba in retailing holders course duration

as uaw strike looms biden administration considers aid for small - Aug 23 2021

web business administration retailing after acquiring offer you could buy tutorial institute of business administration retailing or get it as soon as practical you cannot call for

Istanbul Ticaret Borsası - Oct 25 2021

web this book highlights the development of retail marketing in developing economies and presents this sector as a major area of growth and business opportunity with a special

ai is helping health insurers and doctors with administrative tasks - Jun 20 2021

international retail management b a thi - Jun 13 2023

web international retail management b a program expires application not possible for retail companies clear positioning in the relevant sales channels and permanent identification

institute of business administration retailing 2022 ci kubesail - Nov 25 2021

web pandemiye rağmen başladılar İnci ve bora Özü Türk İstanbul ticaret borsasında aldıkları kosgeb eğitiminden sonra gerçekleştirdikleri girişimle başarıyı yakaladılar

master of business administration mba retail management - Mar 10 2023

web syllabus of master of business administration mba retail management is designed as per the latest needs of industry and revised accordingly to keep it updated the course

mba retail management course details syllabus top - Jul 14 2023

web oct 1 2013 admission to mba retail management candidates must have a graduation degree with a minimum score of 45 from any recognized university admission is based

istanbul university institute of business economics - Dec 07 2022

web part time mba objectives the primary objective of this program is to prepare participants who have completed their university education in a different field apart from business

Istanbul Üniversitesi açık ve uzaktan eğitim fakültesi - Dec 27 2021

web retail management marketing principles of retailing the shopping revolution updated and expanded edition small business bibliography fashion management principles of

mba executive retail management course top colleges 2023 - Aug 03 2022

web sep 6 2023 mba in retail management is a two year postgraduate course that focus on understanding retail principles and practices used in businesses such as assortment

bachelor business administration institute for retailing sales - Aug 15 2023

web retailing sales and marketing jku institute for retailing sales and marketing education study programs bachelor of business administration bachelor business

mba in retail management course details eligibility getmyuni - Jul 02 2022

web apr 14 2023 an mba in retail management focuses on specializing in transportation sales production and management of goods it also covers areas like servicing and

introduction to retail management edx - Apr 30 2022

web arıçıl Çılan e balaban measuring lecturers perception of transition to e learning systems and digital divide a case study in school of business administration of

bachelor of business administration bba retail management - Oct 05 2022

web mar 13 2023 bba in retail management is a 3 year undergraduate study of the key principles and operations involved in retailing and retail establishments the course

bba retail marketing bachelor of business - Jan 08 2023

web 26 rows jul 27 2023 bba retail marketing or bachelor of business administration in retail marketing is an undergraduate professional retail management program it is

all of uk retailer wilko s stores to shut with over 9 000 job losses - Jan 28 2022

web auzef e bağılı olan e ticaret ve pazarlama programı iki yıllık açıköğretim ön lisans programıdır programın amacı pazarlamanın genel ilkeleri ile birlikte e ticaretin gelişen

istanbul university institute of business economics - Apr 11 2023

web school of business institute of business administration istanbul university school of business will celebrate its 50 th anniversary in 2018 given the honourable title of being

taschen basquiat basic art series 2 0 farfetch - Jul 04 2022

web shop taschen basquiat basic art series 2 0

basquiat emmerling leonhard 9783836559799 amazon com - Jul 16 2023

web oct 14 2015 this book presents basquiat s short but prolific career his unique style and his profound engagement with ever relevant issues of integration and segregation poverty and wealth about the series born back in 1985 the basic art series has evolved into the best selling art book collection ever published

basquiat taschen basic art series by emmerling leonhard - Feb 11 2023

web buy basquiat taschen basic art series by emmerling leonhard 2011 hardcover by isbn from amazon s book store everyday low prices and free delivery on eligible orders basquiat taschen basic art series by emmerling leonhard 2011 hardcover amazon co uk books

basquiat taschen basic art series abebooks - Jan 10 2023

web abebooks com basquiat taschen basic art series clean cover no marks creases or cuffs pages well bound neat and tidy inside and out basquiat taschen basic art series by emmerling leonhard near fine soft cover 2003 1st edition stephen books

taschen basic art wikipedia - Nov 08 2022

web taschen basic art is a best selling art collection books published by taschen starting in 1985 each book looks at a different artist with a biography and illustrations of their work the books are published as affordable hardcover books of 21 x 26 cm as of 2022 78 titles had been published

taschen books books basic art series - Aug 17 2023

web basic art series home books basic art series 119 items basic art series sort and filter sort by best selling titles themes art architecture design classics photography price all prices under us 50 apply filters 1920s berlin basic art us 20 add to cart abstract art basic art us 20 add to cart abstract expressionism basic art us 20

taschen books basquiat basic art series the old school house arts - Apr 01 2022

web started in 1985 the basic art series has evolved into the best selling art book collection ever published each book in taschen s basic art series features a detailed chronological summary of the life and oeuvre of the artist covering their cultural and historical importance a concise biography

basquiat amazon co uk emmerling leonhard 9783836559799 - May 14 2023

web about the series born back in 1985 the basic art series has evolved into the best selling art book collection ever published each book in taschen s basic art series features a detailed chronological summary of the life and oeuvre of the artist covering his or her cultural and historical importance a concise biography

taschen books jean michel basquiat - Mar 12 2023

web jean michel basquiat us 200 add to cart brilliant basquiat the most comprehensive edition to date the legend of jean michel basquiat is as strong as ever synonymous with new york in the 1980s the artist first appeared in the late 1970s under the tag samo spraying caustic comments and fragmented poems on the walls of the city

taschen basic art series 2 0 80 books goodreads - Sep 06 2022

web taschen basic art series 2 0 flag all votes add books to this list 1 bosch by taschen editor score 294 and 3 people voted want to read saving want to read christo and jeanne claude basic art series 2 0 by jacob baal teshuva

basquiat taschen basic art series phoenix art museum - Nov 27 2021

web basquiat taschen basic art series 20 00 pay in 4 interest free installments for orders over 50 00 with learn more add to cart pickup available at the museum store usually ready in 24 hours view store information

basquiat taschen basic art series leonhard emmerling - Apr 13 2023

web each book in taschen s basic art series features a detailed chronological summary of the life and oeuvre of the artist covering his or her cultural and historical importance a

basquiat taschen basic art series atomic books - Aug 05 2022

web life lines the 80s art star who put poverty power and racism on the wall an icon of 1980s new york jean michel basquiat 1960 1988 first made his name under the graffiti tag samo before establishing his studio practice and catapulting to fast fame at the age of 20

amazon com taschen basic art series - Jun 15 2023

web amazon com taschen basic art series basquiat part of basic art 136 books 4 8 out of 5 stars 910 hardcover mies van der rohe basic art part of basic art 136 books 4 7 out of 5 stars 462 hardcover 20 00 20 00 free delivery mon may 29 on 25 of items shipped by amazon

basquiat taschen basic art series idifix - Oct 07 2022

web basquiat taschen basic art series ürününü idifix kalitesiyle satın almak için hemen tıklayın tüm art ürünleri için idifix i ziyaret edin

taschen books jean michel basquiat basic art series - Sep 18 2023

web each book in taschen s basic art series features a detailed chronological summary of the life and oeuvre of the artist covering his or her cultural and historical importance a concise biography approximately 100 illustrations with explanatory captions

Éditions taschen livres basic art series - Dec 29 2021

web basic art series home livres basic art series 120 articles basic art series trier et filtrer trier par best selling titles thèmes art architecture design classiques photographie prix tous les prix jusqu'à us 50 appliquer des filtres 1920s berlin basic art us 20 ajouter au panier art abstrait basic art us 20 ajouter au panier

basquiat taschen basic art series by emmerling leonhard - May 02 2022

web dec 7 2015 booktopia has basquiat taschen basic art series by emmerling leonhard buy a discounted hardcover of basquiat online from australia s leading online bookstore

basquiat emmerling leonhard 9783836559799 abebooks - Dec 09 2022

web the subject of a feature film by fellow artist julian schnabel basquiat is one of the most admired artists to emerge from the 1980s art boom this book explores his short but prolific career from the streets of new york to the walls of its most

prominent galleries young graffiti artist jean michel basquiat 1960 1988 was catapulted to

[basquiat 1981 sketchbook for arto lindsay at as if gallery](#) - Oct 27 2021

web may 13 2011 jean michel basquiat website with updated basquiat blog list of exhibitions and gallery shows basquiat works timeline links and bibliography site supports the 2010 book jean michel basquiat a biography by eric fretz there are some simple drawings of the heads crowns cars and other images typical of his work in 1980 and

basquiat basic art series 2 0 editorialist - Jun 03 2022

web multicolour paper basquiat basic art series 2 0 from taschen featuring hardback non fiction 96 pages 210 x 260 x 17 78mm taschen gmbh isbn 10 383655979x and isbn 13 9783836559799 basquiat basic art series 2 0 89 shop compare prices at farfetch from 0 stores view more beauty books assouline books mason books

[taschen basic art book series thriftbooks](#) - Feb 28 2022

web related series taschen basic genre taschen icons meesterlijk modern los impresionistas the taschen basic art book series by multiple authors includes books salvador dalí matisse rivera and several more see the complete taschen basic art series book list in order box sets or omnibus editions and companion titles

basquiat taschen basic art pdf scribd - Jan 30 2022

web basquiat taschen basic art free download as pdf file pdf text file txt or read online for free this book profiles an icon of 1980s new york jean michel basquiat who first made his name under the graffiti tag samo before establishing his studio practice and catapulting to fast fame

bonding nedir bonding uygulaması fiyatları ne kadar - Oct 09 2023

web genel bonding nedir bonding nedir bonding koruyucu ve estetik diş hekimliği alanlarında değerlendirilen bir uygulamadır bonding malzemesi dişin doğal rengine uygun olacak şekilde sertleştirilerek dişe uygulanmaktadır gülüş tasarımının kapsamına giren ve sık tercih edilen bir işlemdir bonding nedir

[bonding bonding ccea gcse chemistry single science](#) - Aug 27 2022

web gcse ccea bonding ccea bonding atoms and ions bond with each other in three main ways ionic bonds covalent bonds and metallic bonds different types of bonds form different types of

[bonding uygulaması ayırık diş tedavisi İsdentbul](#) - Oct 29 2022

web bonding tedavisi dişlere bir işlem yapılmadan yani dişler aşındırılmadan dişin doğal rengine uygun olan kompozit malzemenin sertleştirilmesiyle yapılan estetik tedavi yöntemi olarak tanımlanabilir kompozit dolgu olarak da bilinen bonding uygulaması hemen hemen her hastaya uygulanabilen bir estetik tedavi yöntemidir

tureng bonding türkçe İngilizce sözlük - Sep 08 2023

web İngilizce türkçe online sözlük tureng kelime ve terimleri çevir ve farklı aksanlarda sesli dinleme bonding yapıştırma

metal bonding metal tutturma bonding ne demek

[bonding fiyatları 2022 bonding diş tedavisi sağlık asistanı](#) - Jul 26 2022

web may 8 2022 bonding tedavisi estetik diş hekimliğinde ağız ve diş bütünlüğünü sağlamak amacıyla sıkça tercih edilen tedavi yöntemleri arasında yer alır bonding tedavi fiyatları diğer tedavilere göre fiyat olarak çok daha uygundur

bonding diş tedavisi ankara dr dt Ömer bayar - Jun 24 2022

web diş hekimleri bonding diş uygulamasını dişlerin üzerine bir estetik kompozit rezin tabakası ekleyerek veya mevcut diş yüzeyini şekillendirerek gerçekleştirirler bu yöntem dişlerin renk şekil veya boşluk gibi estetik problemlerini gidermek için kullanılır

[bonding nedir ayrık diş tedavisi fiyatları 2023 dent İncek](#) - May 04 2023

web bonding uygulaması hem şekillendirme gerektiren dişlerde hem de arasında boşluk olan ayrık dişlerde uygulanabilen bir yöntemdir ayrık dişlerde gerçekleştirilen bonding uygulamasında genel olarak kompozit veya fiber malzeme kullanılmaktadır dişlerin doğal görüntüsünü ve rengini koruyarak gerçekleştiren bir işlemdir

[bonding fiyatları 2022 bonding diş tedavisi periodent](#) - Jun 05 2023

web dec 28 2021 bonding tedavi fiyatları 2022 yılında 700 ile 1000 aralığında değişmektedir bonding fiyatları belirlenirken diş yapısının mevcut durumu tedavi edilecek diş sayısı hekimin tecrübesi gibi faktörler bonding fiyatı nı

[bonding dr yaşar Şahin](#) - Sep 27 2022

web bonding uygulamalarının ömrü ne kadardır ortalama ömrü 5 10 yıldır bonding uygulaması uzun süreli ve pahalı bir işlem midir bonding işlemi için çoğunlukla 1 seans 1 saat yeterlidir yapılacak işleme göre seans sayısı değişebilir kullanılacak malzeme ve seçilecek tedavi türüne göre ücret değişiklik

bonding uygulaması nedir nasıl yapılır bütün İşimiz diş - Feb 01 2023

web aug 18 2020 bonding uygulaması nasıl yapılır bonding uygulaması ağrı yapar mı bonding uygulamasının Ömrü ne kadar bonding uygulamasını kimler yaptırabilir bonding tedavisinin avantajları İşlem sonrası nelere dikkat edilmelidir bonding fiyatları ne kadar bonding kırılır mı

[bonding english meaning cambridge dictionary](#) - May 24 2022

web bonding noun u us 'ban dıñ add to word list the process of developing a close and lasting relationship much of the bonding between mother and child takes place in those

tureng bonding türkçe İngilizce sözlük - Aug 07 2023

web bonding i bağlama İngilizce türkçe online sözlük tureng kelime ve terimleri çevir ve farklı aksanlarda sesli dinleme

bonding yapıştırma bonding tutturma bonding topraklama ne demek

[bonding tedavisi fiyatları 2023 İdea dental clinic](#) - Mar 02 2023

web bonding tedavisi nasıl yapılır bonding uygulaması dişlerin estetik görünmesi için uygulanan bir işlem olup kompozit dolgu malzemelerin kullanılmasıyla yapılmaktadır dişlerde herhangi bir işlem uygulanmadan kompozit dolguların dişlere yapıştırılmasıyla gerçekleşen bonding uygulaması dişlerdeki kusurları ortadan kaldıran bir yöntemdir

bonding ne demek ankara dr dt Ömer bayar - Apr 03 2023

web may 27 2020 bonding kelimesi İngilizce kökenli bir kelime olup yapıştırma tutturma anlamlarına gelen bir kelimedir bonding uygulaması ise dişlerin estetik görünmesi için uygulanan bir estetik yöntemdir bonding uygulaması dişlerde bir işlem uygulanmadan kompozit dolgu malzemelerin dişlere yapıştırılması işlemine verilen isimdir bonding ne

bonding diş estetiği gülüş estetiği yaprak porselen - Feb 18 2022

web jul 11 2018 bonding kompozit dolgu malzemelerinin dişe yapıştırılması uygulamasına verilen isimdir bonding işlemi sırasında dişe herhangi bir hasar verilmemektedir hastaların daha estetik ve daha doğal bir gülüş elde edebilmeleri için uygulanmaktadır dişlerdeki küçük bozulmalarda kullanılan bir tedavidir

bonding nedir bonding diş fiyatları 2023 dentnis - Nov 29 2022

web bonding dişin görsel bütünlüğünü estetik bir şekilde tamamlamak adına lokal olarak yapılan kompozit dolgu uygulamalarının genel adıdır bu işlemde dişlerin görünümünü düzeltmek için estetik amaçlarla özel bir kompozit reçine materyali kullanılır

bonding diş nedir fiyatları ne kadar 2023 dentvita - Mar 22 2022

web 2023 yılı bonding uygulaması fiyatları uygulanan dişlere ve tedavi yöntemine göre şu şekildedir kompozit ile estetik bonding bir yüzlü 845tl diş boyu uzatma iki yüzlü kompozit 1055tl bonding tedavisi ile ayrık diş kapatma tek taraflı 845tl bonding uygulaması ile ayrık diş kapatma çift taraflı 1690tl

bonding nedir bonding uygulaması nasıl yapılır diş hekimi - Jul 06 2023

web dişlerin estetik görülmesi adına bonding uygulaması yapılmaktadır bonding ne demek bonding uygulaması kırık çürük ya da çentikli dişlerin kompozit malzeme ile onarılması ve eski estetik görüntüsüne kavuşması işlemidir

bonding dent ankara - Dec 31 2022

web bonding yöntemi nasıl uygulanır bonding yöntemi nin en önemli kısmını hazırlık safhası oluşturmaktadır uygulama öncesi diş hekimi tarafından hastanın dişlerinin genel muayenesi yapılır ve tek tek ölçüleri alınır daha sonra ise dişlerin fotoğrafları çekilerek kalıbı hazırlanır

adhesives bonding dergisi chem media - Apr 22 2022

web adhesives bonding dergisi yapıştırıcı ve mastik Ürünler Üreticileri proses ekipmanları ve makineleri yüzey ve polimer analizleri sızdırmazlık teknolojileri