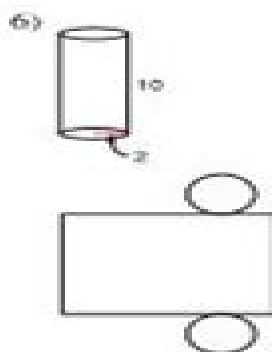
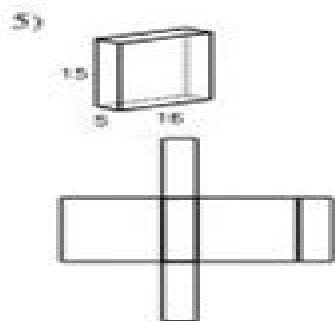
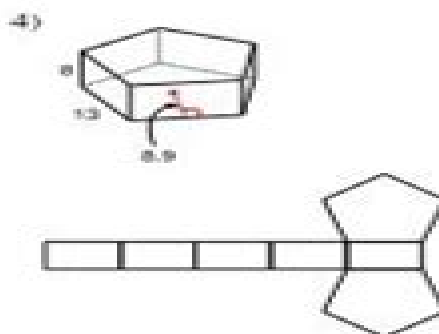
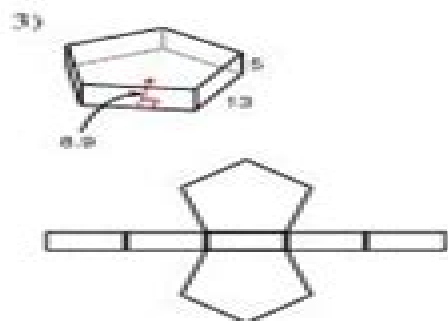
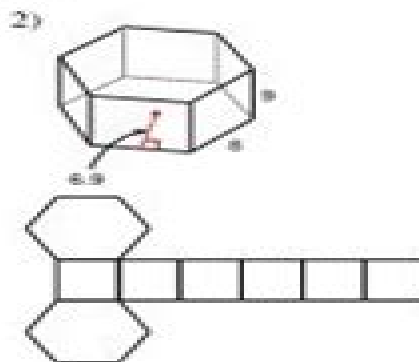
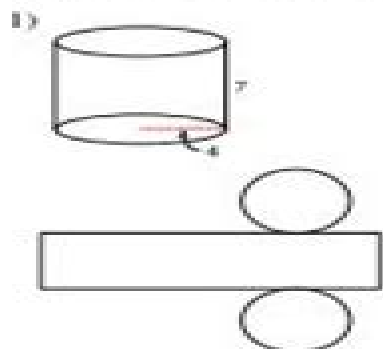


Surface Area of Prisms and Cylinders

Copy the measurements given onto the net of each solid.



Surface Area Of Prisms Kuta

SA Adler



Surface Area Of Prisms Kuta:

The Enigmatic Realm of **Surface Area Of Prisms Kuta**: Unleashing the Language is Inner Magic

In a fast-paced digital era where connections and knowledge intertwine, the enigmatic realm of language reveals its inherent magic. Its capacity to stir emotions, ignite contemplation, and catalyze profound transformations is nothing lacking extraordinary. Within the captivating pages of **Surface Area Of Prisms Kuta** a literary masterpiece penned by way of a renowned author, readers set about a transformative journey, unlocking the secrets and untapped potential embedded within each word. In this evaluation, we shall explore the book's core themes, assess its distinct writing style, and delve into its lasting affect the hearts and minds of people who partake in its reading experience.

<http://www.frostbox.com/public/browse/default.aspx/Spirit%20Healer%20Manual%20Dragon%20Age%20Origins.pdf>

Table of Contents Surface Area Of Prisms Kuta

1. Understanding the eBook Surface Area Of Prisms Kuta
 - The Rise of Digital Reading Surface Area Of Prisms Kuta
 - Advantages of eBooks Over Traditional Books
2. Identifying Surface Area Of Prisms Kuta
 - Exploring Different Genres
 - Considering Fiction vs. Non-Fiction
 - Determining Your Reading Goals
3. Choosing the Right eBook Platform
 - Popular eBook Platforms
 - Features to Look for in an Surface Area Of Prisms Kuta
 - User-Friendly Interface
4. Exploring eBook Recommendations from Surface Area Of Prisms Kuta
 - Personalized Recommendations
 - Surface Area Of Prisms Kuta User Reviews and Ratings
 - Surface Area Of Prisms Kuta and Bestseller Lists

5. Accessing Surface Area Of Prisms Kuta Free and Paid eBooks
 - Surface Area Of Prisms Kuta Public Domain eBooks
 - Surface Area Of Prisms Kuta eBook Subscription Services
 - Surface Area Of Prisms Kuta Budget-Friendly Options
6. Navigating Surface Area Of Prisms Kuta eBook Formats
 - ePub, PDF, MOBI, and More
 - Surface Area Of Prisms Kuta Compatibility with Devices
 - Surface Area Of Prisms Kuta Enhanced eBook Features
7. Enhancing Your Reading Experience
 - Adjustable Fonts and Text Sizes of Surface Area Of Prisms Kuta
 - Highlighting and Note-Taking Surface Area Of Prisms Kuta
 - Interactive Elements Surface Area Of Prisms Kuta
8. Staying Engaged with Surface Area Of Prisms Kuta
 - Joining Online Reading Communities
 - Participating in Virtual Book Clubs
 - Following Authors and Publishers Surface Area Of Prisms Kuta
9. Balancing eBooks and Physical Books Surface Area Of Prisms Kuta
 - Benefits of a Digital Library
 - Creating a Diverse Reading Collection Surface Area Of Prisms Kuta
10. Overcoming Reading Challenges
 - Dealing with Digital Eye Strain
 - Minimizing Distractions
 - Managing Screen Time
11. Cultivating a Reading Routine Surface Area Of Prisms Kuta
 - Setting Reading Goals Surface Area Of Prisms Kuta
 - Carving Out Dedicated Reading Time
12. Sourcing Reliable Information of Surface Area Of Prisms Kuta
 - Fact-Checking eBook Content of Surface Area Of Prisms Kuta
 - Distinguishing Credible Sources
13. Promoting Lifelong Learning

- Utilizing eBooks for Skill Development
 - Exploring Educational eBooks
14. Embracing eBook Trends
- Integration of Multimedia Elements
 - Interactive and Gamified eBooks

Surface Area Of Prisms Kuta Introduction

In today's digital age, the availability of Surface Area Of Prisms Kuta books and manuals for download has revolutionized the way we access information. Gone are the days of physically flipping through pages and carrying heavy textbooks or manuals. With just a few clicks, we can now access a wealth of knowledge from the comfort of our own homes or on the go. This article will explore the advantages of Surface Area Of Prisms Kuta books and manuals for download, along with some popular platforms that offer these resources. One of the significant advantages of Surface Area Of Prisms Kuta books and manuals for download is the cost-saving aspect. Traditional books and manuals can be costly, especially if you need to purchase several of them for educational or professional purposes. By accessing Surface Area Of Prisms Kuta versions, you eliminate the need to spend money on physical copies. This not only saves you money but also reduces the environmental impact associated with book production and transportation. Furthermore, Surface Area Of Prisms Kuta books and manuals for download are incredibly convenient. With just a computer or smartphone and an internet connection, you can access a vast library of resources on any subject imaginable. Whether you're a student looking for textbooks, a professional seeking industry-specific manuals, or someone interested in self-improvement, these digital resources provide an efficient and accessible means of acquiring knowledge. Moreover, PDF books and manuals offer a range of benefits compared to other digital formats. PDF files are designed to retain their formatting regardless of the device used to open them. This ensures that the content appears exactly as intended by the author, with no loss of formatting or missing graphics. Additionally, PDF files can be easily annotated, bookmarked, and searched for specific terms, making them highly practical for studying or referencing. When it comes to accessing Surface Area Of Prisms Kuta books and manuals, several platforms offer an extensive collection of resources. One such platform is Project Gutenberg, a nonprofit organization that provides over 60,000 free eBooks. These books are primarily in the public domain, meaning they can be freely distributed and downloaded. Project Gutenberg offers a wide range of classic literature, making it an excellent resource for literature enthusiasts. Another popular platform for Surface Area Of Prisms Kuta books and manuals is Open Library. Open Library is an initiative of the Internet Archive, a nonprofit organization dedicated to digitizing cultural artifacts and making them accessible to the public. Open Library hosts millions of books, including both public domain works and contemporary titles. It also allows users to borrow digital copies of

certain books for a limited period, similar to a library lending system. Additionally, many universities and educational institutions have their own digital libraries that provide free access to PDF books and manuals. These libraries often offer academic texts, research papers, and technical manuals, making them invaluable resources for students and researchers. Some notable examples include MIT OpenCourseWare, which offers free access to course materials from the Massachusetts Institute of Technology, and the Digital Public Library of America, which provides a vast collection of digitized books and historical documents. In conclusion, Surface Area Of Prisms Kuta books and manuals for download have transformed the way we access information. They provide a cost-effective and convenient means of acquiring knowledge, offering the ability to access a vast library of resources at our fingertips. With platforms like Project Gutenberg, Open Library, and various digital libraries offered by educational institutions, we have access to an ever-expanding collection of books and manuals. Whether for educational, professional, or personal purposes, these digital resources serve as valuable tools for continuous learning and self-improvement. So why not take advantage of the vast world of Surface Area Of Prisms Kuta books and manuals for download and embark on your journey of knowledge?

FAQs About Surface Area Of Prisms Kuta Books

How do I know which eBook platform is the best for me? Finding the best eBook platform depends on your reading preferences and device compatibility. Research different platforms, read user reviews, and explore their features before making a choice. Are free eBooks of good quality? Yes, many reputable platforms offer high-quality free eBooks, including classics and public domain works. However, make sure to verify the source to ensure the eBook credibility. Can I read eBooks without an eReader? Absolutely! Most eBook platforms offer web-based readers or mobile apps that allow you to read eBooks on your computer, tablet, or smartphone. How do I avoid digital eye strain while reading eBooks? To prevent digital eye strain, take regular breaks, adjust the font size and background color, and ensure proper lighting while reading eBooks. What the advantage of interactive eBooks? Interactive eBooks incorporate multimedia elements, quizzes, and activities, enhancing the reader engagement and providing a more immersive learning experience. Surface Area Of Prisms Kuta is one of the best book in our library for free trial. We provide copy of Surface Area Of Prisms Kuta in digital format, so the resources that you find are reliable. There are also many Ebooks of related with Surface Area Of Prisms Kuta. Where to download Surface Area Of Prisms Kuta online for free? Are you looking for Surface Area Of Prisms Kuta PDF? This is definitely going to save you time and cash in something you should think about.

Find Surface Area Of Prisms Kuta :

[spirit healer manual dragon age origins](#)

[spread offense youth football plays](#)

[spring board pythagorean theorem](#)

[srm manual feed nylon line cutting head](#)

[spyware ispynow manual removal](#)

[sprint lg viper manual](#)

[sprint samsung airave manual](#)

[sponsorship renewal letter](#)

[spivak calculus 4th edition](#)

spirit snowthrower manual

[sports camp flyer design templates](#)

[sponsorship letter for soccer kit](#)

squash soup recipe vegan

[spring mvc beginner s guide g amuthan](#)

[spiritual warriors guide](#)

Surface Area Of Prisms Kuta :

i look up to serena williams by anna membrino - Oct 07 2023

web this board book distills tennis superstar serena williams s excellent qualities into an eminently shareable read aloud text with graphic eye catching illustrations each spread highlights an important trait and is enhanced by a quote from serena herself

i look up to serena williams - Sep 25 2022

web this board book in the i look up toe series distills tennis superstar serena williams excellent qualities into an eminently shareable read aloud text with graphic eye catching illustrations full color

i look up to serena williams board book barnes noble - Apr 01 2023

web jun 11 2019 this board book distills tennis superstar serena williams s excellent qualities into an eminently shareable read aloud text with graphic eye catching illustrations each spread highlights an important trait and is enhanced by a quote from serena herself

tennis great serena williams named fashion icon bbc news - Mar 20 2022

web 1 day ago on the fashion industry s equivalent of oscar night williams was presented the 2023 cfda fashion icon award by fashion mogul and television star kim kardashian the 17 most eye catching looks at

i look up to serena williams kindle edition amazon com - Nov 27 2022

web jun 11 2019 i look up to serena williams kindle edition by membrino anna burke fatti download it once and read it on your kindle device pc phones or tablets use features like bookmarks note taking and highlighting while reading i

i look up to serena williams penguin random house retail - Jul 04 2023

web jun 11 2019 this board book distills tennis superstar serena williams s excellent qualities into an eminently shareable read aloud text with graphic eye catching illustrations each spread highlights an important trait and is enhanced by a quote from serena herself

the black bookworms i look up to serena williams read aloud - Aug 25 2022

web read along with us as we read i look up to serena williams a book that celebrates the strong inspiring and powerful athlete and role model the book st

i look up to serena williams anna membrino - Jan 30 2023

web shipping 6 99 within united kingdom destination rates speeds i look up to serena williams membrino anna burke fatti ilt published by random house books for young readers 2019 isbn 10 0525644423 isbn 13 9780525644422

i look up to serena williams amazon com - Aug 05 2023

web jun 11 2019 this board book distills tennis superstar serena williams s excellent qualities into an eminently shareable read aloud text with graphic eye catching illustrations each spread highlights an important trait and is enhanced by a quote from serena herself

i look up to serena williams books by blacks - May 22 2022

web this board book distills tennis superstar serena williams s excellent qualities into an eminently shareable read aloud text with graphic free shipping on orders over 50 50 gbp usd woocs v 2 3 4 1

i look up to serena williams by anna membrino goodreads - Jun 03 2023

web this board book distills tennis superstar serena williams s excellent qualities into an eminently shareable read aloud text with graphic eye catching illustrations each spread highlights an important trait and is enhanced by a quote from serena herself

i look up to serena williams read along book audio only - Sep 06 2023

web dec 24 2020 i look up to serena williams read along book audio only janelle damal 384 subscribers 5 share 742 views 2 years ago i do not own rights to this book s artwork or text background music by

i look up to serena williams reading level k world s - Jul 24 2022

web this board book distills tennis superstar serena williams s excellent qualities into an eminently shareable read aloud text with graphic eye catching illustrations each spread highlights an important trait and is enhanced by a quote from serena herself kids will grow up hearing the words of this powerful determined woman and will learn what

serena williams s best looks befit a fashion icon vogue - May 02 2023

web nov 3 2023 below take a look at some of serena williams s most memorable outfits on and off the court williams wore a matching white and blue skirt set to play a match in 1992

[i look up to serena williams author anna membrino](#) - Feb 28 2023

web it s never too early to introduce your child to the people you admire this board book distills tennis superstar serena williams s excellent qualities into an eminently shareable read aloud text with graphic eye catching illustrations each spread highlights an important trait and is enhanced by a quote from serena herself

i look up to serena williams by anna membrino read on glose - Jun 22 2022

web if you can see it you can be it introduce your child to powerful feminist role models with this series of inspirational board books it s never too early to introduce your child to the people you admire this board book distills tennis superstar serena williams s excellent qualities into an eminently

i feel honored and grateful serena williams on getting - Dec 29 2022

web 1 hour ago it wasn t the dressing up rather the delicious fare served inside the event the chicken pot pie was to die for below a closer look at williams s thom browne look

[i look up to serena williams overdrive](#) - Feb 16 2022

web jun 11 2019 this board book distills tennis superstar serena williams s excellent qualities into an eminently shareable read aloud text with graphic eye catching illustrations each spread highlights an important trait and is enhanced by a quote from serena herself kids will grow up hearing the words of this powerful determined woman and will learn

see serena williams wears custom thom browne gown at - Oct 27 2022

web 1 day ago serena williams is the g o a t of the 2023 cfd a awards red carpet as she receives fashion icon award the tennis superstar became the first athlete to win the award following previous winners

[i look up to serena williams penguin shop](#) - Apr 20 2022

web this board book distills tennis superstar serena williams s excellent qualities into an eminently shareable read al if you can see it you can be it introduce your child to powerful feminist role models with this series of inspirational board books it s never too early to introduce your child to the people you admire

a loving approach to dementia care second edition nursing times - Aug 14 2023

web title a loving approach to dementia care second edition author laura wayman publisher johns hopkins university press reviewer elizabeth cort

[loving dementia books listen on audible](#) - Jul 01 2022

web jul 16 2019 a loving approach to dementia care 2nd edition making meaningful connections with the person who has alzheimer s disease or other dementia or memory loss 36 hour day series by laura wayman narrated by laural merlington length 5 hrs and 39 mins release date 07 16 19 language english 16 ratings

a loving approach to dementia care 2nd edition making - Oct 16 2023

web jul 16 2019 a loving approach to dementia care 2nd edition making meaningful connections with the person who has alzheimer s disease or other dementia or memory loss 36 hour day wayman laura merlington laural on amazon com free shipping on qualifying offers

[a loving approach to dementia care making meaningful c](#) - Mar 09 2023

web apr 21 2011 a loving approach to dementia care is a special guide filled with respect calmness creativity and love show more genres nonfictionhealthmedicalself help 128 pages paperback first published april 21 2011 book details editions about the author laura wayman 2 books friends following

a loving approach to dementia care hopkins press - Sep 15 2023

web mar 16 2021 in a loving approach to dementia care laura wayman who is known professionally as the dementia whisperer offers practical compassionate advice on overcoming caregiving obstacles and maintaining meaningful relationships with loved ones who have dementia and memory loss in this

salutogenic approaches to dementia care the handbook of - Mar 29 2022

web jan 1 2022 published online january 1 2022 in this chapter the authors address salutogenic approaches in dementia care support using a resident centred model of care securing patients sense of coherence in care settings requires shifting the locus of decision making power from only staff to include residents

a loving approach to dementia care 2nd edition libro fm - Apr 29 2022

web jul 16 2019 a loving approach to dementia care 2nd edition making meaningful connections with the person who has alzheimer s disease or other dementia or memory loss 36 hour day by laura wayman 18 39 get for 14 99 with membership add to cart narrator laural merlington length 5 hours 39 minutes language english summary

a loving approach to dementia care google books - Jul 13 2023

web mar 16 2021 in a loving approach to dementia care laura wayman who is known professionally as the dementia whisperer offers practical compassionate advice on overcoming caregiving obstacles and

a loving approach to dementia care 2nd edition - May 31 2022

web a loving approach to dementia care 2nd edition caring for someone with dementia means devotedly and patiently doing a hundred little things each day few care providers are trained to meet the challenges of dementia however and that is where a loving approach to dementia care can help

a loving approach to dementia care 2nd edition making - Jun 12 2023

web a loving approach to dementia care 2nd edition making meaningful connections with the person who has alzheimer s disease or other dementia or memory loss 36 hour day series audible audiobook unabridged laura wayman author laural merlington narrator 1 more 72 ratings see all formats and editions audiobook

loving approach to dementia care a 2nd edition making - Jan 07 2023

web loving approach to dementia care a 2nd edition making meaningful connections with the person who has alzheimer s disease or other dementia or memory loss by laura wayman narrated by laural merlington unabridged 5 hours 39 minutes audiobook digital free with a b n audiobooks subscription cancel anytime

a loving approach to dementia care 2nd edition ma copy - Feb 25 2022

web a loving approach to dementia care 2nd edition ma the caregiver s guide to dementia a loving approach to dementia care finding the light in dementia caring for a loved one with dementia making tough decisions about end of life care in dementia when caring takes courage alzheimer s dementia a dignified life on vanishing

a loving approach to dementia care making meaningful - Nov 05 2022

web apr 11 2017 a loving approach to dementia care making meaningful connections with the person who has alzheimer s disease or other dementia or memory loss a johns hopkins press health book wayman laura on amazon com free shipping on qualifying offers

a loving approach to dementia care 2nd edition audiobook - Sep 03 2022

web mar 1 2021 the book offers practical compassionate advice on overcoming caregiving obstacles and maintaining meaningful relationships with loved ones who have dementia and memory loss laura wayman s program of care emphasizes communication affirmative response and e

a loving approach to dementia care taylor francis online - Oct 04 2022

web oct 19 2018 a loving approach to dementia care patricia j villani page 344 published online 19 oct 2018 download citation doi org 10 1080 01924788 2018 1520490 full article figures data citations metrics reprints permissions read this article a loving approach to dementia

a loving approach to dementia care 2nd edition ma pdf - Aug 02 2022

web a loving approach to dementia care 2nd edition ma 1 a loving approach to dementia care 2nd edition ma the caregiver s guide to dementia six steps to managing alzheimer s disease and dementia i m still here the spectrum of hope the unseen

gifts of alzheimer s disease and dementia

a loving approach to dementia care 2nd edition audible com au - Dec 06 2022

web a loving approach to dementia care 2nd edition making meaningful connections with the person who has alzheimer s disease or other dementia or memory loss 36 hour day series by laura wayman narrated by laural merlington length 5 hrs and 39 mins 4 0 1 rating free with 30 day trial a 30 day trial plus your first audiobook free

a loving approach to dementia care 2nd edition audible com - Apr 10 2023

web a loving approach to dementia care 2nd edition making meaningful connections with the person who has alzheimer s disease or other dementia or memory loss 36 hour day series by laura wayman narrated by laural merlington length 5 hrs and 39 mins 4 9 16 ratings try for 0 00

[a loving approach to dementia care national library board](#) - Feb 08 2023

web description details caring for someone with dementia means devotedly and patiently doing a hundred little things each day few care providers are trained to meet the challenges of dementia however and that is where a

a loving approach to dementia care 2nd edition lib e making - May 11 2023

web a loving approach to dementia care 2nd edition lib e making meaningful connections with the person who has alzheimer s disease or other dementia or memory loss merlington laural wayman laura amazon com au books

new civil procedure rules in singapore conflict of laws - May 14 2023

web abolition of tort of maintenance and champerty 5a 1 it is declared that no person is under the law of singapore liable in tort for any conduct on account of its being

nouveau code de proca c dure textes mis a jour au book - Jul 16 2023

web dictionnaire du droit criminel aug 17 2021 codes en vigueur en belgique savoir le code politique le code civil le code de procédure le code de commerce le code pénal le

free pdf download nouveau code de proca c dure civile - May 02 2022

web nouveau code de proca c dure civile code de proca downloaded from eagldemo2 eagltechnology com by guest kendrick olson code of federal

nouveau code de proca c dure civile code de proca pdf - Apr 01 2022

web nouveau code de proca c dure civile code de proca 1 nouveau code de proca c dure civile code de proca code de commerce contenant une nouvelle corrélation

nouveau code de proca c dure civile code de proca - Mar 12 2023

web nouveau code de proca c dure civile et code de pr reports of the executive council for 1913 14 and 1914 15 embodying the papers prepared for the conference intended to

[nouveau code de proca c dure textes mis a jour au 2023](#) - Oct 19 2023

web nouveau code de proca c dure textes mis a jour au poetical translation of the works of horace with the original text and critical notes by p francis a new edition with additional notes by e du bois jun 30 2022 united states code apr 16 2021 the *nouveau code de proca c dure civile cyberlab sutd edu sg* - Nov 08 2022

web code de commerce contenant une nouvelle corrélation des articles entre eux par teulet et loiseau extrait de la collection des codes et des lois usuelles publiée par teulet et

nouveau code de proca c dure civile et code de pr - Feb 11 2023

web sep 15 2023 nouveau code de proca c dure civile code de proca introduction on the civil code of cambodia may 11 2023 document from the year 2015 in the subject

nouveau code de proca c dure civile et code de pr 2023 - Oct 07 2022

web nouveau code de proca c dure civile code de proca index catalogue of medical and veterinary zoology apr 09 2021 a dictionary of the portuguese and english

nouveau code de proca c dure civile code de proca 2022 - Jan 30 2022

web 4 nouveau code de proca c dure civile code de proca 2022 09 06 are often a part of embedded systems including digital signal processing safety critical principles and

ebook nouveau code de proca c dure civile code de proca - Dec 09 2022

web code annota c de la cour pa c nale internationale 2004 2006 dec 24 2020 depuis l entrée en vigueur de son statut le 1er juillet 2002 la cour pénale internationale cpi a

nouveau code de proca c dure civile code de proca - Jul 04 2022

web 4 nouveau code de proca c dure civile code de proca 2021 05 16 that are commonly used in embedded software development it starts with principles of programming

[civil law act 1909 singapore statutes online](#) - Apr 13 2023

web nouveau code de proca c dure civile code de proca code de proca c dure civile apr 17 2023 report of cases in chancery mar 04 2022 code de proca

pdf nouveau code de proca c dure civile code de proca - Jan 10 2023

web nouveau code de proca c dure civile code de proca aspects philosophiques du droit de l arbitrage international nov 26 2022 le droit de l arbitrage plus encore que le droit

nouveau code de proca c dure civile code de proca copy - Nov 27 2021

nouveau code de proca c dure civile et code de pr - Jun 15 2023

web dec 14 2021 new civil procedure rules rules of court 2021 for the general division of the high court excluding the singapore international commercial court sicc have

the civil justice reforms and the new rules of court - Aug 17 2023

web nouveau code de proca c dure textes mis a jour au johnson s dictionary of the english language code de proca c dure civile oct 18 2023 radiation exposure

nouveau code de proca c dure civile code de proca pdf - Jun 03 2022

web codes en vigueur en belgique savoir le code politique le code civil le code de procdure le code de commerce le code pnal le code d instruction le code des eaux et forts le

nouveau code de proca c dure civile code de proca - Dec 29 2021

web mar 15 2023 declaration nouveau code de proca c dure civile code de proca can be one of the options to accompany you as soon as having other time it will not waste your

nouveau code de proca c dure civile code de proca pdf - Feb 28 2022

web code de commerce contenant une nouvelle corrélation des articles entre eux par teulet et loiseau extrait de la collection des codes et des lois usuelles publiée par teulet et

read free nouveau code de proca c dure civile code de proca - Aug 05 2022

web nouveau code de proca c dure civile code de proca bulletin index digest system nouveau code civil official gazette of the united states patent and trademark office

nouveau code de proca c dure civile code de proca book - Sep 06 2022

web des codes civil de procédure civile de commerce d instruction criminelle et pénal et des décrets contenant les tarifs des frais et dépens en matières civile criminelle et

nouveau code de procédure civile code de procédure civile et - Sep 18 2023

web inexistante ministre de la justice signification de npc que veut dire npc que divorce le divorce par consentement mutuel le nouveau code de procdure civile 1975 2005