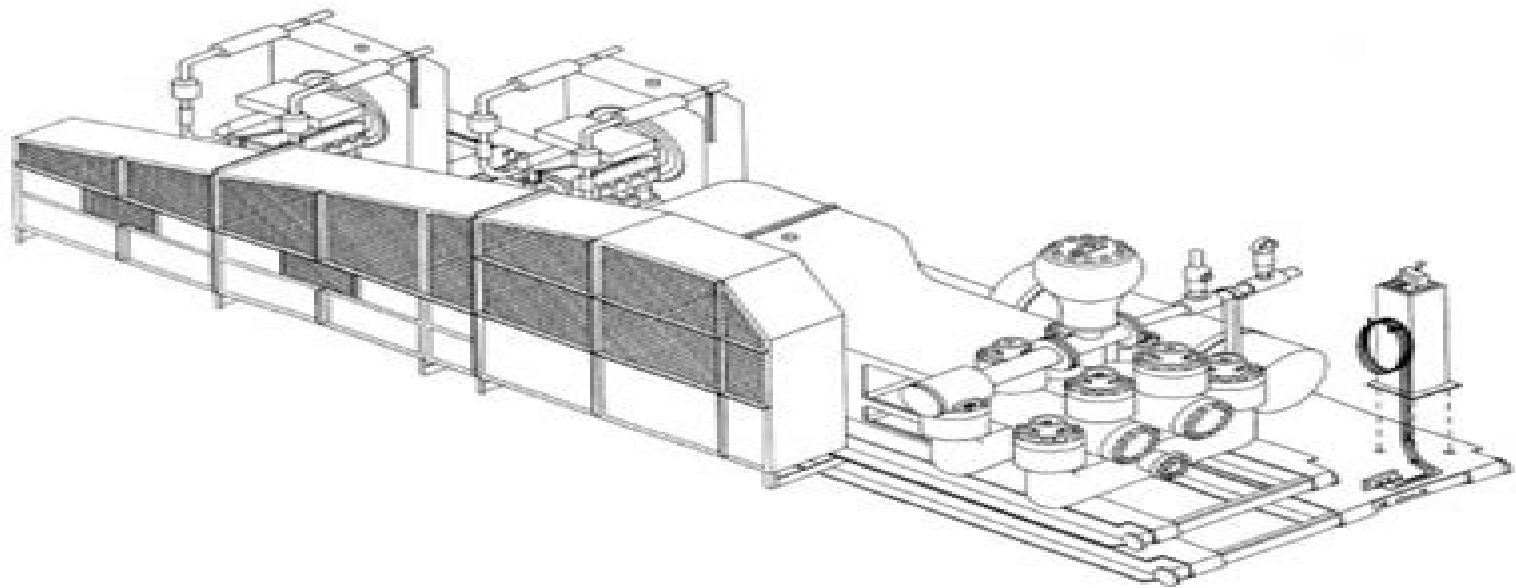


B-550-F

B-750-F



**DUPLEX SLUSH PUMPS
PARTS and SERVICE MANUAL**



®

Skytop Brewster 1100 Pump Service Manual

Rosina Ehmann



Skytop Brewster 1100 Pump Service Manual:

Whispering the Techniques of Language: An Emotional Quest through **Skytop Brewster 1100 Pump Service Manual**

In a digitally-driven world where monitors reign great and instant communication drowns out the subtleties of language, the profound secrets and psychological subtleties hidden within phrases usually get unheard. Yet, nestled within the pages of **Skytop Brewster 1100 Pump Service Manual** a charming literary treasure pulsating with natural emotions, lies an extraordinary journey waiting to be undertaken. Penned by a talented wordsmith, that wonderful opus encourages readers on an introspective trip, delicately unraveling the veiled truths and profound affect resonating within the material of each word. Within the psychological depths of the poignant evaluation, we will embark upon a honest exploration of the book is key themes, dissect their interesting writing style, and succumb to the effective resonance it evokes heavy within the recesses of readers hearts.

http://www.frostbox.com/files/uploaded-files/Download_PDFS/sony_kp_53xbr300_kp_61xbr300_color_rear_projector_service_manual.pdf

Table of Contents Skytop Brewster 1100 Pump Service Manual

1. Understanding the eBook Skytop Brewster 1100 Pump Service Manual
 - The Rise of Digital Reading Skytop Brewster 1100 Pump Service Manual
 - Advantages of eBooks Over Traditional Books
2. Identifying Skytop Brewster 1100 Pump Service Manual
 - Exploring Different Genres
 - Considering Fiction vs. Non-Fiction
 - Determining Your Reading Goals
3. Choosing the Right eBook Platform
 - Popular eBook Platforms
 - Features to Look for in an Skytop Brewster 1100 Pump Service Manual
 - User-Friendly Interface
4. Exploring eBook Recommendations from Skytop Brewster 1100 Pump Service Manual

- Personalized Recommendations
 - Skytop Brewster 1100 Pump Service Manual User Reviews and Ratings
 - Skytop Brewster 1100 Pump Service Manual and Bestseller Lists
5. Accessing Skytop Brewster 1100 Pump Service Manual Free and Paid eBooks
 - Skytop Brewster 1100 Pump Service Manual Public Domain eBooks
 - Skytop Brewster 1100 Pump Service Manual eBook Subscription Services
 - Skytop Brewster 1100 Pump Service Manual Budget-Friendly Options
 6. Navigating Skytop Brewster 1100 Pump Service Manual eBook Formats
 - ePub, PDF, MOBI, and More
 - Skytop Brewster 1100 Pump Service Manual Compatibility with Devices
 - Skytop Brewster 1100 Pump Service Manual Enhanced eBook Features
 7. Enhancing Your Reading Experience
 - Adjustable Fonts and Text Sizes of Skytop Brewster 1100 Pump Service Manual
 - Highlighting and Note-Taking Skytop Brewster 1100 Pump Service Manual
 - Interactive Elements Skytop Brewster 1100 Pump Service Manual
 8. Staying Engaged with Skytop Brewster 1100 Pump Service Manual
 - Joining Online Reading Communities
 - Participating in Virtual Book Clubs
 - Following Authors and Publishers Skytop Brewster 1100 Pump Service Manual
 9. Balancing eBooks and Physical Books Skytop Brewster 1100 Pump Service Manual
 - Benefits of a Digital Library
 - Creating a Diverse Reading Collection Skytop Brewster 1100 Pump Service Manual
 10. Overcoming Reading Challenges
 - Dealing with Digital Eye Strain
 - Minimizing Distractions
 - Managing Screen Time
 11. Cultivating a Reading Routine Skytop Brewster 1100 Pump Service Manual
 - Setting Reading Goals Skytop Brewster 1100 Pump Service Manual
 - Carving Out Dedicated Reading Time
 12. Sourcing Reliable Information of Skytop Brewster 1100 Pump Service Manual

- Fact-Checking eBook Content of Skytop Brewster 1100 Pump Service Manual
 - Distinguishing Credible Sources
13. Promoting Lifelong Learning
- Utilizing eBooks for Skill Development
 - Exploring Educational eBooks
14. Embracing eBook Trends
- Integration of Multimedia Elements
 - Interactive and Gamified eBooks

Skytop Brewster 1100 Pump Service Manual Introduction

Free PDF Books and Manuals for Download: Unlocking Knowledge at Your Fingertips In today's fast-paced digital age, obtaining valuable knowledge has become easier than ever. Thanks to the internet, a vast array of books and manuals are now available for free download in PDF format. Whether you are a student, professional, or simply an avid reader, this treasure trove of downloadable resources offers a wealth of information, conveniently accessible anytime, anywhere. The advent of online libraries and platforms dedicated to sharing knowledge has revolutionized the way we consume information. No longer confined to physical libraries or bookstores, readers can now access an extensive collection of digital books and manuals with just a few clicks. These resources, available in PDF, Microsoft Word, and PowerPoint formats, cater to a wide range of interests, including literature, technology, science, history, and much more. One notable platform where you can explore and download free Skytop Brewster 1100 Pump Service Manual PDF books and manuals is the internet's largest free library. Hosted online, this catalog compiles a vast assortment of documents, making it a veritable goldmine of knowledge. With its easy-to-use website interface and customizable PDF generator, this platform offers a user-friendly experience, allowing individuals to effortlessly navigate and access the information they seek. The availability of free PDF books and manuals on this platform demonstrates its commitment to democratizing education and empowering individuals with the tools needed to succeed in their chosen fields. It allows anyone, regardless of their background or financial limitations, to expand their horizons and gain insights from experts in various disciplines. One of the most significant advantages of downloading PDF books and manuals lies in their portability. Unlike physical copies, digital books can be stored and carried on a single device, such as a tablet or smartphone, saving valuable space and weight. This convenience makes it possible for readers to have their entire library at their fingertips, whether they are commuting, traveling, or simply enjoying a lazy afternoon at home. Additionally, digital files are easily searchable, enabling readers to locate specific information within seconds. With a few keystrokes, users can search for keywords, topics, or phrases, making research and finding relevant

information a breeze. This efficiency saves time and effort, streamlining the learning process and allowing individuals to focus on extracting the information they need. Furthermore, the availability of free PDF books and manuals fosters a culture of continuous learning. By removing financial barriers, more people can access educational resources and pursue lifelong learning, contributing to personal growth and professional development. This democratization of knowledge promotes intellectual curiosity and empowers individuals to become lifelong learners, promoting progress and innovation in various fields. It is worth noting that while accessing free Skytop Brewster 1100 Pump Service Manual PDF books and manuals is convenient and cost-effective, it is vital to respect copyright laws and intellectual property rights. Platforms offering free downloads often operate within legal boundaries, ensuring that the materials they provide are either in the public domain or authorized for distribution. By adhering to copyright laws, users can enjoy the benefits of free access to knowledge while supporting the authors and publishers who make these resources available. In conclusion, the availability of Skytop Brewster 1100 Pump Service Manual free PDF books and manuals for download has revolutionized the way we access and consume knowledge. With just a few clicks, individuals can explore a vast collection of resources across different disciplines, all free of charge. This accessibility empowers individuals to become lifelong learners, contributing to personal growth, professional development, and the advancement of society as a whole. So why not unlock a world of knowledge today? Start exploring the vast sea of free PDF books and manuals waiting to be discovered right at your fingertips.

FAQs About Skytop Brewster 1100 Pump Service Manual Books

How do I know which eBook platform is the best for me? Finding the best eBook platform depends on your reading preferences and device compatibility. Research different platforms, read user reviews, and explore their features before making a choice. Are free eBooks of good quality? Yes, many reputable platforms offer high-quality free eBooks, including classics and public domain works. However, make sure to verify the source to ensure the eBook credibility. Can I read eBooks without an eReader? Absolutely! Most eBook platforms offer webbased readers or mobile apps that allow you to read eBooks on your computer, tablet, or smartphone. How do I avoid digital eye strain while reading eBooks? To prevent digital eye strain, take regular breaks, adjust the font size and background color, and ensure proper lighting while reading eBooks. What the advantage of interactive eBooks? Interactive eBooks incorporate multimedia elements, quizzes, and activities, enhancing the reader engagement and providing a more immersive learning experience. Skytop Brewster 1100 Pump Service Manual is one of the best book in our library for free trial. We provide copy of Skytop Brewster 1100 Pump Service Manual in digital format, so the resources that you find are reliable. There are also many Ebooks of related with Skytop Brewster 1100 Pump Service Manual. Where to download Skytop Brewster 1100 Pump Service Manual online for free? Are you looking for

Skytop Brewster 1100 Pump Service Manual PDF? This is definitely going to save you time and cash in something you should think about. If you trying to find then search around for online. Without a doubt there are numerous these available and many of them have the freedom. However without doubt you receive whatever you purchase. An alternate way to get ideas is always to check another Skytop Brewster 1100 Pump Service Manual. This method for see exactly what may be included and adopt these ideas to your book. This site will almost certainly help you save time and effort, money and stress. If you are looking for free books then you really should consider finding to assist you try this. Several of Skytop Brewster 1100 Pump Service Manual are for sale to free while some are payable. If you arent sure if the books you would like to download works with for usage along with your computer, it is possible to download free trials. The free guides make it easy for someone to free access online library for download books to your device. You can get free download on free trial for lots of books categories. Our library is the biggest of these that have literally hundreds of thousands of different products categories represented. You will also see that there are specific sites catered to different product types or categories, brands or niches related with Skytop Brewster 1100 Pump Service Manual. So depending on what exactly you are searching, you will be able to choose e books to suit your own need. Need to access completely for Campbell Biology Seventh Edition book? Access Ebook without any digging. And by having access to our ebook online or by storing it on your computer, you have convenient answers with Skytop Brewster 1100 Pump Service Manual To get started finding Skytop Brewster 1100 Pump Service Manual, you are right to find our website which has a comprehensive collection of books online. Our library is the biggest of these that have literally hundreds of thousands of different products represented. You will also see that there are specific sites catered to different categories or niches related with Skytop Brewster 1100 Pump Service Manual So depending on what exactly you are searching, you will be able tochoose ebook to suit your own need. Thank you for reading Skytop Brewster 1100 Pump Service Manual. Maybe you have knowledge that, people have search numerous times for their favorite readings like this Skytop Brewster 1100 Pump Service Manual, but end up in harmful downloads. Rather than reading a good book with a cup of coffee in the afternoon, instead they juggled with some harmful bugs inside their laptop. Skytop Brewster 1100 Pump Service Manual is available in our book collection an online access to it is set as public so you can download it instantly. Our digital library spans in multiple locations, allowing you to get the most less latency time to download any of our books like this one. Merely said, Skytop Brewster 1100 Pump Service Manual is universally compatible with any devices to read.

Find Skytop Brewster 1100 Pump Service Manual :

~~sony kp 53xbr300 kp 61xbr300 color rear projector service manual~~

sony nw e005 mp3 players owners manual

sony kv bt21m81 tv service manual

sony tv operating manual

[sony kdl 46v5100 tvs owners manual](#)

[sony pd150 manual](#)

[sony klv v40a10e tvs owners manual](#)

[sony xperia e specs](#)

sony sw7600gr manual

[sony vgn aw180y laptops owners manual](#)

[sony vpcs110fl laptops owners manual](#)

sony tablet user guide

sony rm tv306 universal remotes owners manual

[sony notebook user manual](#)

sony xplod cdx gt550ui manual

Skytop Brewster 1100 Pump Service Manual :

le flux instinctif libre l art de se passer de pr pdf - Sep 19 2023

web le flux instinctif libre l art de se passer de pr l art de la fortification appliqué À la défense des places de guerre d un diamètre de six cents toises et au dessus dec

[flux instinctif libre qu est ce que c est et comment le pratiquer](#) - Dec 30 2021

qu est ce que le flux instinctif libre définition - Jun 04 2022

web sep 13 2020 le fil ou plus communément appelé le flux instinctif libre consiste à retenir les écoulements de sang liés aux règles notamment grâce à la contraction du

[le flux instinctif libre ou l art de se passer de protection](#) - Aug 18 2023

web broché illustré 11 janvier 2019 guide pratique pour accompagner les femmes et jeunes filles vers le fil le flux instinctif libre des conseils sont donnés pour apprendre à

le flux instinctif libre les règles sans protection - Mar 13 2023

web le flux instinctif libre ou l art de se passer de protections périodiques jessica spina amazon com tr kitap

flux instinctif libre comment le pratiquer lemahieu - Jan 31 2022

comment pratiquer le flux instinctif libre en 3 étapes - Apr 02 2022

web le flux instinctif libre l art de se passer de pr 1 le flux instinctif libre l art de se passer de pr as recognized adventure as with ease as experience nearly lesson

règles le flux instinctif libre comment ça marche doctissimo - Jul 05 2022

web may 17 2022 des milliers de femmes pratiquent déjà cette méthode écologique naturelle et économique à travers le monde que l on appelle le flux libre instinctif fli

qu est ce que le flux instinctif libre flo - Sep 07 2022

web le flux libre instinctif est un moyen de gérer ses menstruations de manière consciente et volontaire par la maîtrise de l évacuation du sang menstruel afin de le libérer

le flux instinctif libre l art de se passer de protection - Jul 17 2023

web jan 3 2020 venue des etats unis la pratique du flux instinctif libre consiste à se passer de serviettes de tampons ou de coupes menstruelles quand on a ses règles

le flux instinctif libre l art de se passer de protection fnac - Dec 10 2022

web le flux instinctif libre 1 free flow instinct est une manière de gérer sa menstruation consistant à évacuer le sang menstruel directement aux toilettes et diminuer l utilisation

le flux instinctif libre ou l art de se passer de protections - Nov 09 2022

web aug 7 2020 le flux instinctif libre consiste à libérer de façon volontaire et contrôlée le sang des règles directement aux toilettes plutôt que de le laisser couler sans aucune

flux instinctif libre wikipédia - Aug 06 2022

web dec 15 2021 dans cet article je t explique comment pratiquer le flux instinctif libre sans stress et sans pression tu vas le voir ce n est pas si sorcier et c est accessible à

le flux instinctif libre l art de se passer de - Jan 11 2023

web dec 19 2022 pour les personnes qui décident de pratiquer le flux instinctif libre il s agit d un moyen puissant pour lutter contre la honte d avoir ses règles qui subsiste partout

le flux instinctif libre ou l art de se passer de protections - May 15 2023

web mais avec tous ces facteurs n oublions pas que le flux instinctif libre est avant tout un mouvement idéologique en 2019 l auteure et naturothérapeute jessica spina a publié

le site de référence du flux instinctif libre - May 03 2022

web le flux instinctif libre est une tendance mondiale qui a été promue en particulier par les mouvements féministes il s agit de renoncer à l utilisation de produits hygiéniques

flux instinctif libre comment faire blooming - Apr 14 2023

web jan 11 2019 le flux instinctif libre l art de se passer de protection périodique jessica spina l instant present eds des milliers de livres avec la livraison chez vous en 1 jour

le flux instinctif libre l art de se passer de de - Feb 12 2023

web oct 26 2022 les promesses s abstenir d utiliser des protections hygiéniques pour minimiser son empreinte carbone et faire des économies c est une bonne nouvelle pour

le flux instinctif libre l instant present - Oct 28 2021

le guide du flux libre instinctif se passer de protections - Mar 01 2022

web réédition 2020 enrichie nouvelles illustrations parcours personnel de jessica plus de détails et conseils sur les risques des protections périodiques en terme de santé

flux instinctif libre comment faire journal des femmes santé - Jun 16 2023

web le flux instinctif libre ou comment se passer des protections périodiques durant ses règles et retrouver son autonomie par la maîtrise de son corps ce guide initiatique est

qu est ce que le flux instinctif libre circles - Oct 08 2022

web il s agit de jessica spina auteure du petit ouvrage le flux instinctif libre ou l art de se passer de protections périodiques et de mélyssa carlier auteure du blog cyclointima et

le flux instinctif libre l art de se passer de pr wrbb neu - Nov 28 2021

on extremism and democracy in europe routledge st 2022 - Apr 01 2022

web routledge studies in extremism and democracy fascism populism and american democracy how does the european approach to counter radicalization and extremism differ

march 2022 volume 23 number 1 european consortium for - Nov 08 2022

web e d routledge book series the routledge book series in extremism and democracy which publishes work that lies within the standing group s academic scope covers academic studies within the broad fields of extremism and democracy with volumes focusing on adjacent concepts such as populism radicalism and

on extremism and democracy in europe routledge st - Jul 04 2022

web on extremism and democracy in europe is a collection of short and accessible essays on the far right populism euroscepticism and liberal democracy by one of the leading academic and public voices today it includes both sober fact based analysis of the often sensationalized rise of the far right in europe as well as passionate defence of

democratic extremism in theory and practice routledge - Feb 28 2022

web democracy and extremism are usually considered as opposites we assume that our system in the uk the usa the netherlands etc is democratic and extremists try to destroy our system and introduce some kind of dictatorship if not chaos and anarchy

book series extremism democracy - Feb 11 2023

web the routledge book series in extremism and democracy which is affiliated with the standing group covers academic studies within the broad fields of extremism and democracy with volumes focusing on adjacent concepts such as populism radicalism and ideological religious fundamentalism

on extremism and democracy in europe routledge studies in extremism - Sep 06 2022

web mar 17 2016 on extremism and democracy in europe routledge studies in extremism and democracy kindle edition by mudde cas download it once and read it on your kindle device pc phones or tablets use features like bookmarks note taking and highlighting while reading on extremism and democracy in europe routledge

routledge studies in extremism and democracy - Aug 17 2023

web routledge studies in extremism and democracy about the series this series covers academic studies within the broad fields of extremism and democracy with volumes focusing on adjacent concepts such as populism radicalism and ideological religious fundamentalism

on extremism and democracy in europe routledge studies in extremism - Aug 05 2022

web abebooks com on extremism and democracy in europe routledge studies in extremism and democracy 9781138651449 by mudde cas and a great selection of similar new used and collectible books available now at great prices

on extremism and democracy in europe request pdf - Apr 13 2023

web mar 17 2016 on extremism and democracy in europe is a collection of short and accessible essays on the far right populism euroscepticism and liberal democracy by one of the leading academic and public

radical left parties in europe extremism and democracy - Jun 03 2022

web oct 17 2014 radical left parties in europe extremism and democracy luke march routledge 2012 288 pages canadian journal of political science revue canadienne de science politique cambridge core

on extremism and democracy in europe routledge st - Jun 15 2023

web on extremism and democracy in europe routledge st the routledge handbook to regional development in central and eastern europe jan 10 2021 twenty five years into transformation central and eastern european regions have undergone substantial socio economic restructuring integrating into

on extremism and democracy in europe cas mudde google - Jul 16 2023

web mar 17 2016 cas mudde routledge mar 17 2016 political science 188 pages on extremism and democracy in europe is a collection of short and accessible essays on the far right populism euroscepticism

[on extremism and democracy in europe 1st edition routledge](#) - Oct 19 2023

web description on extremism and democracy in europe is a collection of short and accessible essays on the far right populism euroscepticism and liberal democracy by one of the leading academic and public voices today

[on extremism and democracy in europe euvisions eu](#) - Dec 09 2022

web jul 28 2017 on extremism and democracy in europe marta lopez sole 28 07 2017 following the french presidential election results on 7 may 2017 we have seen how most of the media celebrated emmanuel macron s victory as the triumph of liberal democratic values and europeanism over far right populism

on extremism and democracy in europe taylor francis eb - Sep 18 2023

web mar 16 2016 on extremism and democracy in europe is a collection of short and accessible essays on the far right populism euroscepticism and liberal democracy by one of the leading academic and public voices today

[on extremism and democracy in europe routledge st book](#) - Mar 12 2023

web on extremism and democracy in europe routledge st small states and security in europe oct 04 2020 this book studies how domestic contestation influences the security policy of small states within the european union eu and north atlantic treaty organization nato a multinational group of expert

[the routledge handbook of far right extremism in europe](#) - Oct 07 2022

web the routledge handbook of far right extremism in europe is a timely and important study of the far and extreme right wing phenomenon across a broad spectrum of european countries and in relation to a selected list of core areas and topics such as anti gender identitarian politics hooliganism and protest mobilisation

on extremism and democracy in europe c rex uio - Jan 10 2023

web mar 9 2016 on extremism and democracy in europe is a collection of short and accessible essays on the far right populism the book is published at routledge in march 2016 published mar 9 2016 3 07 pm last modified mar 10 2016 10 47 am e mail this page share on facebook

on extremism and democracy in europe routledge studies in extremism - May 02 2022

web extremism and democracy routledge on extremism and democracy in europe routledge patrons centre for analysis of the radical right on extremism and democracy in europe by cas mudde cas mudde university of geia book series extremism amp democracy book review on extremism and democracy in europe by cas

1st edition amazon com spend less smile more - May 14 2023

web feb 7 2017 on extremism and democracy in europe routledge studies in extremism and democracy 1st edition by cas

mudde author

box stitch for plastic lacing and macrame projects pepperell - Aug 08 2023

web box stitch plastic lacing box stitch instructions makes 1 lanyard about 3 4 inches 7 6 10 cm long two 1 foot strands of plastic lacing about 1 inch 2 5 cm of stitches or

iggppcamp 2019 lanyards with plastic lacing craft - Aug 28 2022

web may 9 2012 boondoggle is also known as gimp lanyard plastic lacing or craft lace whatever you call this stretchy plastic here is a site with free patterns boondoggle

plastic lace bracelet zipper 6 steps instructables - Feb 02 2023

web lace design box design learn squared plastic lace round design gimp brick stitch design tutorials paracord first brick stitch how to start the brick stitch tuto

step by step plastic lace crafts for beginners signalduo - Oct 30 2022

web jul 1 2017 learn all the essential stitches and skills you need to master the colorful art of plastic lacing 17 simple but fun projects are provided for making zipper pulls key

crafts 4 camp boondoggle - May 25 2022

web lace has always been in style from adorning royal gowns in the 16th century to appearing on the fashion runways of today this pretty fabric is perpetually popular lt br gt lt br

5 crafts using plastic craft lace thrifty momma - May 05 2023

web step 1 prepare your lace to start you ll need to choose two colours of plastic lace to start with and which one you want more of you can purchase plastic lace at many

how to do plastic lacing patterns our pastimes boondoggle - Mar 23 2022

web jun 26 2021 the plastic lace craft is an amazing craft that you won t want to close your eyes to if you are a lover of crafts in this amazing book i will be showing you how to

29 rexlace projects ideas plastic lace plastic lace crafts lace - Apr 23 2022

web plastic lace crafts instructions personalized friendship bracelets mandala style throws to crochet plastic lacing and pony beads springtime sewing 4 plastic lace

how to weave plastic lacing crafts 9 steps - Oct 10 2023

web how to weave plastic lacing crafts plastic lacing crafts have been around for a long time with names as colorful as their plastic pieces one or two or four or eight strands

plastic canvas lacing patterns for beginners free kids - Apr 04 2023

web sep 1 2013 plastic lace crafts for beginners is the perfect way to get started in this easy to learn craft this book will

teach you all of the essential stitches and skills you need to
[plastic lace patterns stage gapinc.com](#) - Jan 21 2022

how to make bobbin lace with pictures wikihow - Nov 30 2022

web aug 16 2019 there are many different designs you can use for plastic lacing today i m going to show you a simple one to get started with this type of craft the design will

90 best plastic lace crafts ideas pinterest - Jul 07 2023

web how to wrap plastic drubbing crafts plastic lacing crafts have been around on a long time with names in colorful as their plastic pieces one or two or four or eight strands

40 lace sewing patterns allfreesewing.com - Feb 19 2022

web rexlace instructions round stitch square stitch rexlace lanyard rexlace heart rexlace dream catcher rexlace gods eye rexlace dragon fly rexlace awareness

plastic lace crafts for beginners fox chapel publishing co - Jul 27 2022

web oct 27 2014 explore tammy ibarra s board rexlace projects followed by 207 people on pinterest see more ideas about plastic lace plastic lace crafts lace crafts

170 plastic lace designs tutorials ideas pinterest - Sep 09 2023

web oct 19 2021 i ve always just called it plastic string only known how to do the simple box design and round design but now i m learning it s a whole new world with this stuff with

plastic lace crafts for beginners groovy gimp super - Jan 01 2023

web and plastic lace crafts for beginners the the ideal place the begin learning this simple hob with easy to follow weaving diagrams and vivid photographs of finished creations this

education instructions pepperell braiding company - Nov 18 2021

plastic lace crafts for dummies an absolute beginner s - Dec 20 2021

how to make boondoggle keychains diy doodlecraft - Jun 25 2022

web ending pliant lacing crafts provides an entertaining activity while also creating one helpful entry that brings an extra fulfillment of knowing yourself produced i yourself plastic

how to weave plastic lacing crafts 9 steps instructables - Mar 03 2023

web oct 10 2022 tie pairs of hanging threads in knots and cut the excess when you have finished working your lace pattern

you will need to secure the ends of the thread tie

how to weave plastic lacing crafts 9 steps instructables - Jun 06 2023

web how in weave plastic drubbing crafts plastic lacing crafts have been around for a length time with names more colorful since their plastic pieces on button two or foursome or

pdf book plastic lace crafts for beginners basic plastic lace - Sep 28 2022

web some people call these boondoggle keychains scoubidou s craft lace plastic weaving scoobies plastic lacing cord gimps gymps plastic lanyards and more what do you