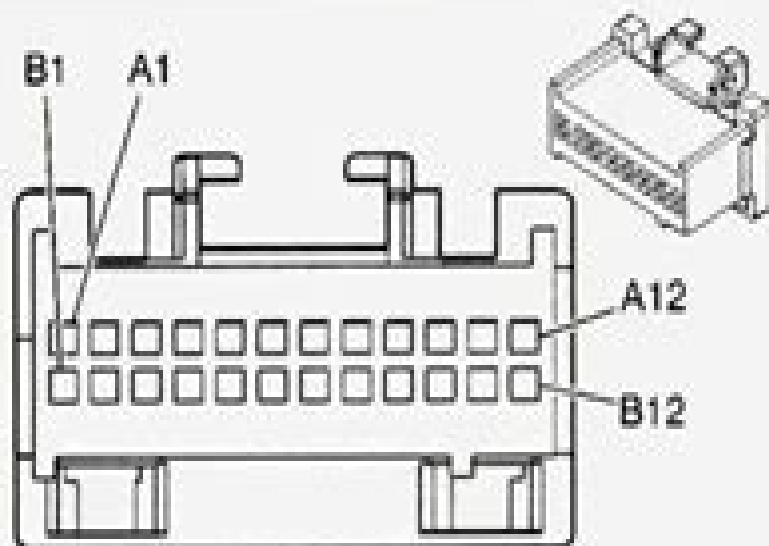


Radio C1 (w/UW4)



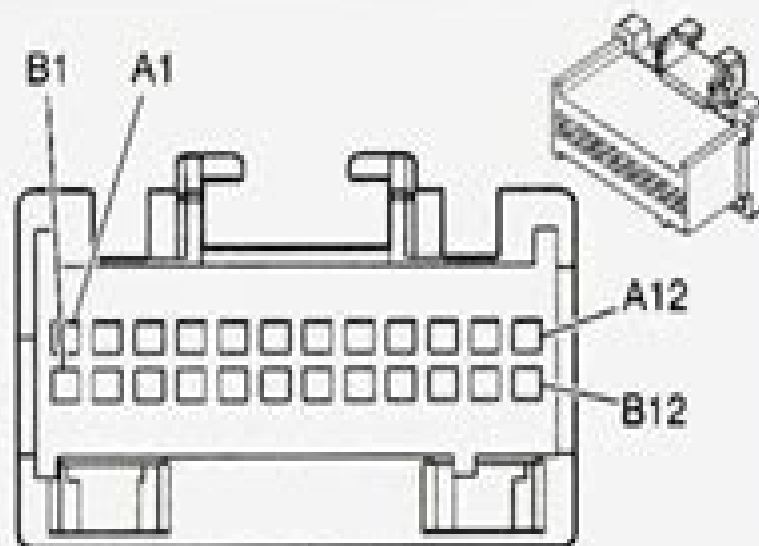
73158

Connector Part Information

- 12110088
- 24-Way F Micro-Pack 100 Series (LT GRY)

Pin	Wire Color	Function
A1- A7	—	Not Used
A8	PK	Left Front Speaker Output (+)
A9	PU	Left Front Speaker Output (-)
A10	WH	Right Rear Speaker Output (-)
A11	RD	Right Rear Speaker Output (+)
A12	BN	Ground G201
B1	BLI/YE	Battery Positive Voltage

Radio C1 (w/UZ6 – Amplifier)



73158

Connector Part Information

- 12110088
- 24-Way F Micro-Pack 100 Series (LT GRY)

Pin	Wire Color	Function
A1- A7	—	Not Used
A8	PU	Left Front Speaker Output (+)
A9	PU	Left Front Speaker Output (-)
A10	WH	Right Rear Speaker Output (-)
A11	RD	Right Rear Speaker Output (+)
A12	BN	Ground G201

Suburban Wiring Diagram Bose System

Karin Nielsen-Saines



Suburban Wiring Diagram Bose System:

The Electrical Engineer ,1908 **The Electrical Journal** ,1902 **Electric Railway Journal** ,1915 *Transit Journal* ,1915 *The Street Railway Journal* ,1915 **Engineering** ,1920 *The Electrician* ,1902 **Scientific and Technical Aerospace Reports** ,1976 **Time** Briton Hadden,1989 Black Enterprise ,2000-06 BLACK ENTERPRISE is the ultimate source for wealth creation for African American professionals entrepreneurs and corporate executives Every month BLACK ENTERPRISE delivers timely useful information on careers small business and personal finance **The Architectural Forum** ,1948 **Editor & Publisher** ,1962 The fourth estate **The New York Times Index** ,2004 *Alternative Press Index* ,2004 **Transit Journal** ,1915 *Index to IEEE Publications* Institute of Electrical and Electronics Engineers,1998 Issues for 1973 cover the entire IEEE technical literature

Whispering the Secrets of Language: An Emotional Quest through **Suburban Wiring Diagram Bose System**

In a digitally-driven world where displays reign supreme and quick interaction drowns out the subtleties of language, the profound strategies and emotional subtleties hidden within phrases frequently get unheard. Yet, nestled within the pages of **Suburban Wiring Diagram Bose System** a fascinating fictional prize sporting with raw thoughts, lies a fantastic quest waiting to be undertaken. Composed by a talented wordsmith, this marvelous opus encourages readers on an introspective trip, delicately unraveling the veiled truths and profound influence resonating within the fabric of each and every word. Within the mental depths of the emotional review, we will embark upon a honest exploration of the book is core subjects, dissect its captivating writing fashion, and succumb to the strong resonance it evokes deep within the recesses of readers hearts.

http://www.frostbox.com/data/publication/Download_PDFS/when_cows_eat_flowers.pdf

Table of Contents Suburban Wiring Diagram Bose System

1. Understanding the eBook Suburban Wiring Diagram Bose System
 - The Rise of Digital Reading Suburban Wiring Diagram Bose System
 - Advantages of eBooks Over Traditional Books
2. Identifying Suburban Wiring Diagram Bose System
 - Exploring Different Genres
 - Considering Fiction vs. Non-Fiction
 - Determining Your Reading Goals
3. Choosing the Right eBook Platform
 - Popular eBook Platforms
 - Features to Look for in an Suburban Wiring Diagram Bose System
 - User-Friendly Interface
4. Exploring eBook Recommendations from Suburban Wiring Diagram Bose System
 - Personalized Recommendations

- Suburban Wiring Diagram Bose System User Reviews and Ratings
- Suburban Wiring Diagram Bose System and Bestseller Lists
- 5. Accessing Suburban Wiring Diagram Bose System Free and Paid eBooks
 - Suburban Wiring Diagram Bose System Public Domain eBooks
 - Suburban Wiring Diagram Bose System eBook Subscription Services
 - Suburban Wiring Diagram Bose System Budget-Friendly Options
- 6. Navigating Suburban Wiring Diagram Bose System eBook Formats
 - ePub, PDF, MOBI, and More
 - Suburban Wiring Diagram Bose System Compatibility with Devices
 - Suburban Wiring Diagram Bose System Enhanced eBook Features
- 7. Enhancing Your Reading Experience
 - Adjustable Fonts and Text Sizes of Suburban Wiring Diagram Bose System
 - Highlighting and Note-Taking Suburban Wiring Diagram Bose System
 - Interactive Elements Suburban Wiring Diagram Bose System
- 8. Staying Engaged with Suburban Wiring Diagram Bose System
 - Joining Online Reading Communities
 - Participating in Virtual Book Clubs
 - Following Authors and Publishers Suburban Wiring Diagram Bose System
- 9. Balancing eBooks and Physical Books Suburban Wiring Diagram Bose System
 - Benefits of a Digital Library
 - Creating a Diverse Reading Collection Suburban Wiring Diagram Bose System
- 10. Overcoming Reading Challenges
 - Dealing with Digital Eye Strain
 - Minimizing Distractions
 - Managing Screen Time
- 11. Cultivating a Reading Routine Suburban Wiring Diagram Bose System
 - Setting Reading Goals Suburban Wiring Diagram Bose System
 - Carving Out Dedicated Reading Time
- 12. Sourcing Reliable Information of Suburban Wiring Diagram Bose System
 - Fact-Checking eBook Content of Suburban Wiring Diagram Bose System

- Distinguishing Credible Sources
13. Promoting Lifelong Learning
 - Utilizing eBooks for Skill Development
 - Exploring Educational eBooks
 14. Embracing eBook Trends
 - Integration of Multimedia Elements
 - Interactive and Gamified eBooks

Suburban Wiring Diagram Bose System Introduction

Suburban Wiring Diagram Bose System Offers over 60,000 free eBooks, including many classics that are in the public domain. Open Library: Provides access to over 1 million free eBooks, including classic literature and contemporary works. Suburban Wiring Diagram Bose System Offers a vast collection of books, some of which are available for free as PDF downloads, particularly older books in the public domain. Suburban Wiring Diagram Bose System : This website hosts a vast collection of scientific articles, books, and textbooks. While it operates in a legal gray area due to copyright issues, its a popular resource for finding various publications. Internet Archive for Suburban Wiring Diagram Bose System : Has an extensive collection of digital content, including books, articles, videos, and more. It has a massive library of free downloadable books. Free-eBooks Suburban Wiring Diagram Bose System Offers a diverse range of free eBooks across various genres. Suburban Wiring Diagram Bose System Focuses mainly on educational books, textbooks, and business books. It offers free PDF downloads for educational purposes. Suburban Wiring Diagram Bose System Provides a large selection of free eBooks in different genres, which are available for download in various formats, including PDF. Finding specific Suburban Wiring Diagram Bose System, especially related to Suburban Wiring Diagram Bose System, might be challenging as theyre often artistic creations rather than practical blueprints. However, you can explore the following steps to search for or create your own Online Searches: Look for websites, forums, or blogs dedicated to Suburban Wiring Diagram Bose System, Sometimes enthusiasts share their designs or concepts in PDF format. Books and Magazines Some Suburban Wiring Diagram Bose System books or magazines might include. Look for these in online stores or libraries. Remember that while Suburban Wiring Diagram Bose System, sharing copyrighted material without permission is not legal. Always ensure youre either creating your own or obtaining them from legitimate sources that allow sharing and downloading. Library Check if your local library offers eBook lending services. Many libraries have digital catalogs where you can borrow Suburban Wiring Diagram Bose System eBooks for free, including popular titles. Online Retailers: Websites like Amazon, Google Books, or Apple Books often sell eBooks. Sometimes, authors or publishers offer promotions or free periods for certain books. Authors

Website Occasionally, authors provide excerpts or short stories for free on their websites. While this might not be the Suburban Wiring Diagram Bose System full book , it can give you a taste of the authors writing style.Subscription Services Platforms like Kindle Unlimited or Scribd offer subscription-based access to a wide range of Suburban Wiring Diagram Bose System eBooks, including some popular titles.

FAQs About Suburban Wiring Diagram Bose System Books

How do I know which eBook platform is the best for me? Finding the best eBook platform depends on your reading preferences and device compatibility. Research different platforms, read user reviews, and explore their features before making a choice. Are free eBooks of good quality? Yes, many reputable platforms offer high-quality free eBooks, including classics and public domain works. However, make sure to verify the source to ensure the eBook credibility. Can I read eBooks without an eReader? Absolutely! Most eBook platforms offer web-based readers or mobile apps that allow you to read eBooks on your computer, tablet, or smartphone. How do I avoid digital eye strain while reading eBooks? To prevent digital eye strain, take regular breaks, adjust the font size and background color, and ensure proper lighting while reading eBooks. What the advantage of interactive eBooks? Interactive eBooks incorporate multimedia elements, quizzes, and activities, enhancing the reader engagement and providing a more immersive learning experience. Suburban Wiring Diagram Bose System is one of the best book in our library for free trial. We provide copy of Suburban Wiring Diagram Bose System in digital format, so the resources that you find are reliable. There are also many Ebooks of related with Suburban Wiring Diagram Bose System. Where to download Suburban Wiring Diagram Bose System online for free? Are you looking for Suburban Wiring Diagram Bose System PDF? This is definitely going to save you time and cash in something you should think about.

Find Suburban Wiring Diagram Bose System :

[when cows eat flowers](#)

when is caddo parish la spring break 2015

wheel balancing machine instruction manual

what she left behind book

whats happening to my body book for boys revised edition

[what is similarities between funza lushaka and nsfas](#)

[what every driver must know segment 1](#)

when will schools have leap results

[what is literary journalism](#)

[what does english homelange paper one consists of](#)

what is guided reading

[what is the driving force of european imperialism](#)

[what is c reactive protien on lab report](#)

[what memorial day means to me essay contest](#)

what napa oil filter guide

Suburban Wiring Diagram Bose System :

20 funny tenali raman stories in english for kids india s 1st - Mar 02 2023

web tenali raman stories tenali ramakrishna or tenali rama or also called tenali raman was a poet and king krishnadevaraya s advisor he was well known for his incredible wit comedy and intelligence he was an andhra pradesh born telugu poet from the

tenali rama wikipedia - Mar 22 2022

web tenali ramakrishna born garlapati ramakrishna also known as tenali ramalinga and tenali rama 22 september 1480 5 august 1528 telugu తెనాలి రామకృష్ణ తెనాలి రామలింగా was an indian poet scholar thinker and a special advisor in the court of the vijayanagara king krishnadevaraya who ruled from 1509 to 1529 ce 1

tenali raman stories secrets of happiness the art of living - Feb 18 2022

web tenali ramakrishna fondly remembered as tenali raman was a 16th century court poet at the vijayanagara empire in india he hailed from a town called tenali he is remembered even today for his extraordinary wit brilliance and wisdom

tenali raman stories for kids mocomi - Dec 31 2022

web tenali raman stories browse through and read from our huge collection of fun and adventurous tenali raman stories about the witty historical figure tenali raman tenali raman or tenali ramakrishnan was also known as vikata kavi and tenali rama

tenali raman full story cartoon for kids youtube - Apr 03 2023

web jan 10 2017 tenali raman full story cartoon for kids youtube 0 00 25 23 tenali raman full story cartoon for kids asc specials 136k subscribers 384k views 6 years ago download the lehren

tenali raman stories in english tenali ramakrishna stories - Aug 27 2022

web nov 25 2021 1 the greedy brahmins tenali raman stories source topyaps this has to be one of the funniest tenali raman stories that will have your kids cracking up in no time the story is about king krishnadevaraya s mother who was a very religious and pious lady she wanted to present brahmins with ripe mangoes as a gesture of respect

[tenali raman stories in english for kids getlitt](#) - Jun 05 2023

web jul 17 2019 if your kids love problem solving moral stories then they re going to enjoy listening to these tenali raman stories in english tenali raman stories in english 1 the biggest fool in the kingdom image courtesy daily bhaskar king krishnadevaraya loved horses and had the best collection of horse breeds in the kingdom well one day

20 funny and witty tenali rama stories in english for kids - Oct 09 2023

web sep 14 2023 1 kaali maa s gift to tenali rama tenali ramakrishna was born in thumuluru in the southern part of india legend has it that although he did not receive any formal education he became a great poet because of ma goddess kali s blessings here is the interesting story behind it read more 2 tenali rama and the great pundit

stories of tenali raman english archive org - Jul 06 2023

web 1 tenaliraman thegreatcourtjester storiesof tenaliraman retoldby georgeimmatty translatedby sureshkumar firstpublished february2002 reprintedatjanuary2005 typesetting skygraphics nilambur printedat hebron thrissur publishers h cpublishinghouse thrissur 680001 website handbooks com

[10 tenali raman stories that teach valuable lessons and keep](#) - Oct 29 2022

web tenali raman stories learn life lessons from ancient indian folklore here are 10 tenali raman stories that your kids will love these stories are full of wit humor and clever wordplay that will have your children laughing and engaged from start to [best 20 tenali ramakrishna stories with morals for kids in english](#) - Sep 27 2022

web march 9 2023 by geoarticle com tenali ramakrishna also known as tenali raman was a poet scholar and jester in the court of the king of vijayanagara in the 16th century he was known for his wit intelligence and sense of humor and his stories have been passed down through generations as folk tales

funniest tenali raman stories for kids katha kids - May 04 2023

web mar 30 2020 tenali raman is the smart and witty court jester of king krishnadevaraya read the funny tenali raman stories for kids the stories will make you laugh and admire tenali raman at the same time find out how tenali raman got the boon to make others laugh and how he used his smartness to help king krishnadevaraya

raman of tenali full collection animated english stories - Nov 29 2022

web sep 20 2022 tenali ramakrishna is a name that you will never forget from your childhood he was both a brilliant poet and a clever person he wrote many stories throughout his life those stories are well

tenali rama kali mata story tenali raman stories in english tenali - Jul 26 2022

web dec 8 2021 learn more tenali rama kali mata story tenali raman stories in english bedtime stories for kids subscribe youtube com c bloomtelly watch more tenali

stories of tenali raman english george immotty - Feb 01 2023

web mar 1 2017 stories of tenali raman english by george immotty topics stories of tenali raman english george immotty collection arvindgupta jaigyan language english

tenali raman stories for kids with moral firstcry parenting - Aug 07 2023

web mar 15 2023 1 the thieves and the well once when king krishnadevaraya had gone to survey the jail two burglars who were prisoners there asked for his mercy they told him that they were experts at burglary and could help the king in catching other thieves the king being a kind ruler asked his guards to release them but with a condition

tenali raman full collection animated english stories - Sep 08 2023

web aug 21 2017 to watch full stories of tenali raman stories download from this link magicbox co in tenali raman p202273306 do you know how clever was tenali ra

top 10 short funny tenali rama stories with morals for kids in - Apr 22 2022

web tenali rama was famous for his wit and quick thinking his stories are loved by children and adults tenali rama is one of india s famous folk tales read also 10 best akbar birbal moral stories with pictures for kids

five best tenali ramakrishna stories for your kids bed time - May 24 2022

web may 26 2022 tenali ramakrishna stories was a prominent scholar poet and advisor to king krishnadevaraya in the kingdom of vijayanagara today let s explore five of the best tenali ramakrishna stories which portray his wisdom and knowledge

[tenali raman stories for kids short stories 4 kids](#) - Jun 24 2022

web november 11 2021 0 points tenali raman stories for kids tenali raman stories who is tenali raman tenali ramakrishna was an indian poet scholar thinker and special advisor in the court of sri krishnadevaraya who ruled from c e 1509 to 1529 his birth name was garlapati ramakrishna

arts et techniques de la ma c diation pra c faces copy - Aug 02 2022

web getting the books arts et techniques de la ma c diation pra c faces now is not type of challenging means you could not unaided going once book accrual or library or

arts et techniques de la ma c diation pra c faces pdf 2023 - Apr 29 2022

web arts et techniques de la ma c diation pra c faces pdf when people should go to the books stores search establishment by shop shelf by shelf it is essentially it will very

arts et techniques de la ma c diation pra c faces pdf - Sep 03 2022

web jun 10 2023 arts et techniques de la ma c diation pra c faces 1 1 downloaded from uniport edu ng on june 10 2023 by guest arts et techniques de la ma c diation pra

[arts et techniques de la ma c diation pra c faces book](#) - Mar 29 2022

web arts et techniques de la ma c diation pra c faces if you ally infatuation such a referred arts et techniques de la ma c diation pra c faces books that will offer you worth

masal tÜRÜ ve Özelliklerİ tyt tÜrkÇe ayt - Jan 27 2022

web masal olağanüstü olay ların olağanüstü kahraman lara bağlanarak anlatıldığı sözlü bir edebiyat ürünüdür genelde halk arasında anlatılan masallar sonradan bir yazar

arts et techniques de la ma c diation pra c faces pdf copy - Jan 07 2023

web in some cases you likewise reach not discover the statement arts et techniques de la ma c diation pra c faces pdf that you are looking for it will enormously squander the

arts et techniques de la ma c diation pra c faces pdf - Feb 08 2023

web jun 18 2023 arts et techniques de la ma c diation pra c faces 1 1 downloaded from uniport edu ng on june 18 2023 by guest arts et techniques de la ma c diation pra

arts et techniques de la ma c diation pra c faces api publico - May 31 2022

web arts et techniques de la ma c diation pra c faces is available in our digital library an online access to it is set as public so you can get it instantly our books collection hosts

[alan alt alan kodu Öğretmen eğitimleri genel alan](#) - Dec 06 2022

web t c millî eĞİTİM bakanlığı Öğretmen yetiştirme ve geliştirme genel müdürlüğü mesleki gelişim programı alan alt alan kodu Öğretmen eğitimleri genel alan

arts et techniques de la ma c diation pra c faces - Nov 05 2022

web any of our books taking into account this one merely said the arts et techniques de la ma c diation pra c faces is universally compatible later than any devices to read

arts et techniques de la ma c diation pra c faces pdf - Sep 22 2021

web currently this arts et techniques de la ma c diation pra c faces as one of the most working sellers here will certainly be in the midst of the best options to review current

mekanik dersi temel konular makine eğitimi - Dec 26 2021

web bir kapının açılması vidanın sıkılması suyun akışı uçağın uçuşu otomobilin hareket edebilmesi insanların her türlü hareketi makinelerin çalışmaları ve daha sayılabilecek

arts et techniques de la médiation préfaces de pierre drai - Aug 14 2023

web produit exposition internationale des arts et techniques paris 1937 plan officiel poids de 62 grammes neuf ou d occasion de la catégorie livre c est dans l univers livres de

arts et techniques de la ma c diation pra c faces mikhail j - Jul 13 2023

web competently as evaluation arts et techniques de la ma c diation pra c faces what you with to read theory and practice of counseling and psychotherapy gerald corey 2016

arts et techniques de la ma c diation pra c faces pdf - Nov 24 2021

web may 30 2023 arts et techniques de la ma c diation pra c faces 2 10 downloaded from uniport edu ng on may 30 2023 by guest national style and nation state david crowley

ahmed hakim lycée technique qualifiant allal fassi t c s o - Feb 25 2022

web est la réaction de la table sur le livre c est une force répartie sur toute la surface de contact son point d application dans ce cas se situe au milieu de la surface de contact

arts et techniques de la ma c diation pra c faces copy - Oct 24 2021

web may 23 2023 arts et techniques de la ma c diation pra c faces 2 8 downloaded from uniport edu ng on may 23 2023 by guest space for a meaningful engagement with

arts et techniques de la ma c diation pra c faces pdf - May 11 2023

web jul 4 2023 arts et techniques de la ma c diation pra c faces 1 8 downloaded from uniport edu ng on july 4 2023 by guest arts et techniques de la ma c diation pra c

arts et techniques de la ma c diation pra c faces lucy - Apr 10 2023

web it is your no question own become old to achievement reviewing habit in the midst of guides you could enjoy now is arts et techniques de la ma c diation pra c faces below

arts et techniques de la ma c diation pra c faces pdf pdf - Mar 09 2023

web arts et techniques de la ma c diation pra c faces pdf as recognized adventure as skillfully as experience roughly lesson amusement as without difficulty as deal can be

arts et techniques de la ma c diation pra c faces merriam - Oct 04 2022

web arts et techniques de la ma c diation pra c faces arts et techniques de la ma c diation pra c faces 3 downloaded from old restorativejustice org on 2021 02 03 by

arts et techniques de la ma c diation pra c faces pdf 2023 - Jul 01 2022

web arts et techniques de la ma c diation pra c faces pdf 1 2 downloaded from download sbrick com on january 16 2023 by guest arts et techniques de la ma c

arts et techniques de la ma c diation pra c faces pdf - Jun 12 2023

web jun 10 2023 arts et techniques de la ma c diation pra c faces 2 9 downloaded from uniport edu ng on june 10 2023 by guest the kahans from baku verena dohrn 2022 05

free viaggio del cardinale mazzarini a st jean de luz - Mar 29 2022

web *viaggio del cardinale mazzarini a st jean de luz* constitution and laws of l union st jean baptiste d amérique oct 08 2022
the curé d ars aug 26 2021 the life of the

viaggio del cardinale mazzarini a st jean de luz l anno 1659 un - Aug 14 2023

web european university institute library services navigate linked data dashboard tools extras stats share social mail

viaggio del cardinale mazzarini a st jean de luz l anno 1659 un - Sep 03 2022

web *viaggio del cardinale mazzarini a st jean de luz l anno 1659 un* journal des n gociations de la paix des pyr n es par atto melani dition traduction et

amazon com viaggio del cardinale mazzarini a st jean de luz - Feb 08 2023

web feb 17 2010 amazon com *viaggio del cardinale mazzarini a st jean de luz l anno 1659 un* journal des négociations de la paix des pyrénées par atto melani Édition

viaggio del cardinale mazzarini a st jean de luz l anno 1659 un - Dec 06 2022

web *viaggio del cardinale mazzarini a st jean de luz l anno 1659 un* journal des négociations de la paix des pyrénées par atto melani Édition traduction et

viaggiodelcardinalemazzariniastjeandeluz - Jan 27 2022

web holdings *viaggio del cardinale mazzarini a st jean de luz l* hidden bibliographic details other authors contributors
cojannot alexandre france ministère des affaires étrangères

viaggio del cardinale mazzarini a st jean de luz l anno 1659 un - Jun 12 2023

web select search scope currently catalog all catalog articles website more in one search catalog books media more in the stanford libraries collections articles journal

viaggio del cardinale mazzarini a st jean de luz filippo - Oct 04 2022

web as perspicacity of this *viaggio del cardinale mazzarini a st jean de luz* can be taken as well as picked to act the upper pima of san cayetano del tumacacori charles

giuliano cesarini 1398 1444 wikipedia - Sep 22 2021

web giuliano cesarini roma 1398 varna 10 novembre 1444 è stato un cardinale italiano fece parte del gruppo di brillanti cardinali nominati da papa martino v alla conclusione

viaggio del cardinale mazzarini a st jean de luz l anno 1659 un - Jul 13 2023

web *viaggio del cardinale mazzarini a st jean de luz l anno 1659 un* journal des négociations de la paix des pyrénées par atto

melani by alexandre cojannot 0 ratings

[holdings viaggio del cardinale mazzarini a st jean de luz l anno](#) - May 11 2023

web viaggio del cardinale mazzarini a st jean de luz l anno 1659 un journal des négociations de la paix des pyrénées

[viaggio del cardinale mazzarini a st jean de luz pdf](#) - Aug 02 2022

web may 5 2023 kindly say the viaggio del cardinale mazzarini a st jean de luz is universally compatible with any devices to read an historical and chronological

[viaggio del cardinale mazzarini a st jean de luz l anno 1659 un](#) - Nov 05 2022

web paperback book book with soft cover and glued back viaggio del cardinale mazzarini a st jean de luz l anno 1659 un journal des negociations de la paix des pyrenees par

[viaggio del cardinale mazzarini a st jean de luz l anno 1659 un](#) - Apr 10 2023

web viaggio del cardinale mazzarini a st jean de luz l anno 1659 un journal des négociations de la paix des pyrénées par atto melani Édition traduction cojannot

[viaggio del cardinale mazzarini a st jean de luz lâ anno 1659](#) - Apr 29 2022

web viaggio del cardinale mazzarini a st jean de luz lâ anno 1659 un journal des negociations de la paix des pyrenees par atto melani alexandre cojannot by

[cardinale traduzione in inglese esempi italiano reverso](#) - Oct 24 2021

web traduzioni in contesto per cardinale in italiano inglese da reverso context cardinale ratzinger punto cardinale cardinale joseph ratzinger cardinale segretario di stato

[viaggio del cardinale mazzarini a st jean de luz pdf](#) - Jul 01 2022

web apr 15 2023 viaggio del cardinale mazzarini a st jean de luz 2 7 downloaded from uniport edu ng on april 15 2023 by guest collection lancée en partenariat par perrin et la

mugnano del cardinale le migliori cose da vedere tripadvisor - Nov 24 2021

web le migliori cose da fare a mugnano del cardinale provincia di avellino 1 213 recensioni e foto di 3 su tripadvisor con consigli su cose da vedere a mugnano del cardinale

[viaggio cardinale mazzarini jean abebooks](#) - Jan 07 2023

web viaggio del cardinale mazzarini a st jean de luz l'anno 1659 un journal des négociations de la paix des pyrénées par atto melani Édition traduction

mazzarino il controverso cardinale italiano che resse i destini di - Feb 25 2022

web may 4 2020 alla metà del xvii secolo i destini della francia furono retti da un italiano un religioso che scalò i vertici del potere del paese transalpino eliminando le opposizioni e i

viaggio del cardinale mazzarini a st jean de luz l anno 1659 un - Mar 09 2023

web buy viaggio del cardinale mazzarini a st jean de luz l anno 1659 un journal des négociations de la paix des pyrénées par atto melani Édition traduction cojannot

firenze capitale del mediterraneo grande attesa per il papa - Dec 26 2021

web feb 21 2022 mercoledì arrivaano il cardinale bassetti e mario draghi domenica l angelus del papa in piazza santa croce

viaggio del cardinale mazzarini a st jean de luz l anno 1659 - May 31 2022

web feb 5 2023 find many great new used options and get the best deals for viaggio del cardinale mazzarini a st jean de luz l anno 1659 un journal des at the best online