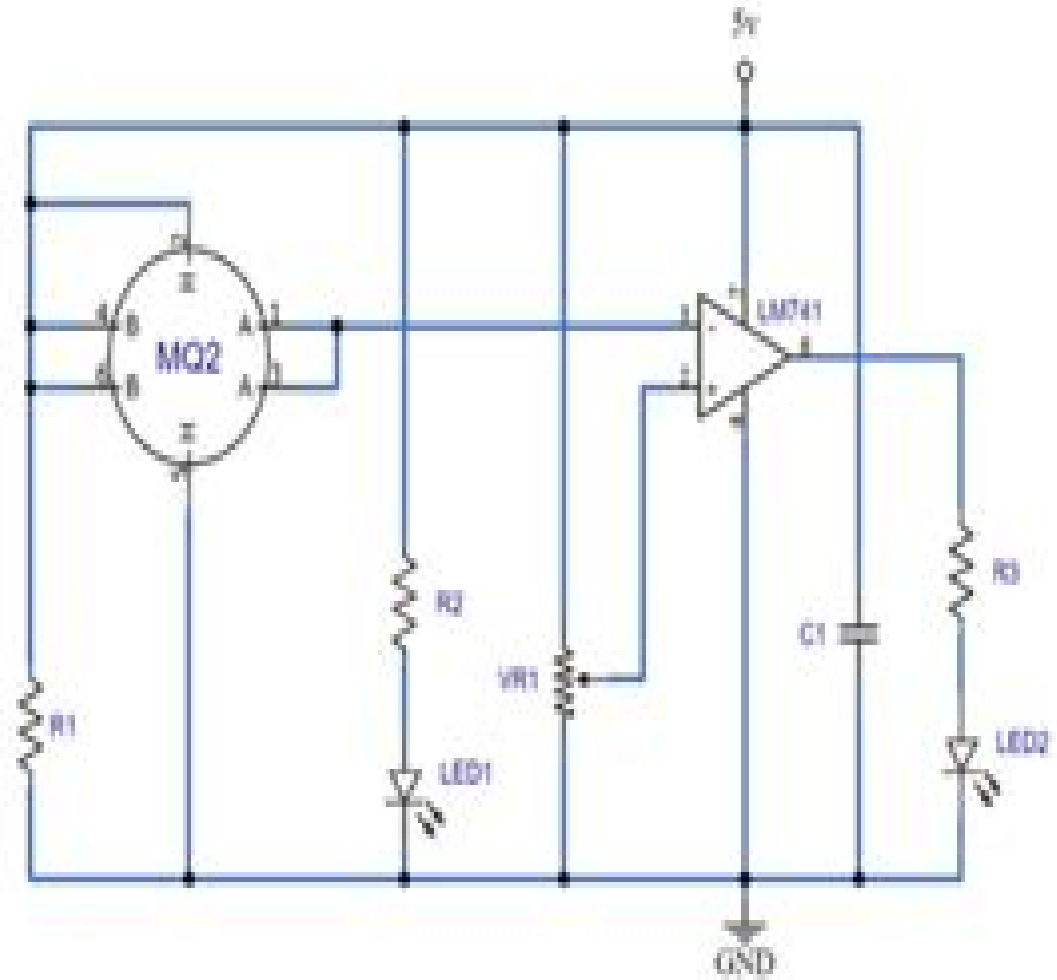


Smoke Detector Circuit



Smoke Detector Circuit Diagram Explanation

Xiaolong Qi



Smoke Detector Circuit Diagram Explanation:

Radiochemical Methods in Analysis D. Coomber,2012-12-06 The aim of this book is to give an account of the principal radiochemical methods used in chemical analysis It is assumed that the reader already has some background knowledge of radioactivity available from several general textbooks For this reason some subjects e g the fundamentals of radio activity the properties of radiation statistics of counting procedures the precautions needed in working with radioactive materials which could have occupied half the text are not considered in detail The different aspects of radiochemical analysis have been covered by specialized books and reviews e g on activation analysis gamma spectrometry radiometric titrations A good deal of information is in the form of reports of meetings and symposia and liquid scintillation counting for instance has been mainly covered in this way There are also a large number of journals It is therefore hoped that this book will help fill the gap between the introductory texts and the specialized sources many of which are referred to in the chapter references The first three chapters in the present volume deal with the methods of measurement of radioactive nuclides Chapter I gives a general account of detection and measurement techniques The next two chapters are devoted to two specialized techniques gamma ray spectrometry and liquid scintillation counting

Boylestad's Circuit Analysis Robert L. Boylestad,2004 *Fire Technology Abstracts* ,1978

FCS Electronic Control & Digital Electronics L4 Julia Pilbeam,2009 *Programming and Interfacing with Arduino* Yogesh Misra,2021-09-06 Programming and Interfacing with Arduino provides an in depth understanding of the Arduino UNO board It covers programming concepts working and interfacing of sensors input output devices communication modules and actuators with Arduino UNO board This book contains a large number of programming examples along with the description and interfacing details of hardware with Arduino UNO board It discusses important topics including SPI communication protocol I2C communication protocol light emitting diode potentiometer analog to digital converter pulse width modulation temperature sensor LM35 humidity and temperature sensor DHT11 motor driver L293D LED interfacing and programming and push button interfacing and programming Aimed at senior undergraduate students and professionals in areas such as electrical engineering electronics and communication engineering this text Discusses construction and working of sensors including ultrasonic sensor temperature sensor and optical sensor Covers construction working programming and interfacing of IO devices Discusses programming interfacing construction and working of relay with the Arduino board for controlling high voltage devices Covers interfacing diagram of devices with the Arduino board Provides videos demonstrating the implementation of programs on the Arduino board

Methods and Techniques for Fire Detection A. Enis Cetin,Bart Merci,Osman Günay,Behçet Ugur Töreyn,Steven Verstockt,2016-01-29 This book describes the signal image and video processing methods and techniques for fire detection and provides a thorough and practical overview of this important subject as a number of new methods are emerging This book will serve as a reference for signal processing and computer vision focusing on fire detection and methods for volume sensors Applications covered in this book can easily

be adapted to other domains such as multi modal object recognition in other safety and security problems with scientific importance for fire detection as well as video surveillance Coverage includes Camera Based Techniques Multi modal Multi sensor fire analysis Pyro electric Infrared Sensors for Flame Detection Large scale fire experiments Wildfire detection from moving aerial platforms The basics of signal image and video processing based fire detection The latest fire detection methods and techniques using computer vision Non conventional fire detectors Fire detection using volumetric sensors Recent large scale fire experiments and their results New and emerging technologies and areas for further research

Practice Book Chemistry For Jee Main and Advanced 2022 Dr. RK Gupta,2021-08-26 1 The current edition of New pattern JEE problem increases the comprehension 2 New pattern JEE problem Chemistry for JEE Main Inorganic Organic and Physical Chemistry 4 More than 8800 JEE level problem that include all types of objective questions 5 Last 5 Previous years solved Paper 2020 2016 6 Step by step explanations given to all the question for conceptual learning JEE Main Inorganic Organic and Physical Chemistry More than 8800 JEE level problem that include all types of objective questions Solutions in this book are presented in a step by step manner to make you learn how to strategize for a problem along with the ways to move tactically to get correct answer This book seeks to develop the capability of in appreciation of the inter play concepts in arriving at the correct answer fast in the students TOC Inorganic Chemistry Physical Chemistry Organic Chemistry New Concepts of Fire Detection National Fire Data Center (U.S.),IIT Research Institute,1978 Mastering Physics Martin Harrison, Frank McKim,1999-11-11 This new edition of Mastering Physics has been completely updated and rewritten to give all the information needed to learn and master the essentials of physics It is a self contained clearly explained course for individual study or classroom use which requires no prior knowledge The book is highly illustrated throughout to show the importance of physics in the natural world as well as in such fields as athletics engineering medicine and music Questions and examples are also included throughout covering a broad range of topics such as environmental issues motor racing and space flight **Illustrated Guide to the 1999 National Electrical Code** John E. Traister,1999 This fully illustrated guide offers a quick and easy visual reference for installing electrical systems Whether you re installing a new system or repairing an old one you ll appreciate the simple explanations written by a code expert and the detailed intricately drawn and labeled diagrams A real time saver when it comes to deciphering the current NEC *Sensors and Transducers* Mr. Rohit Manglik,2023-06-23 Studies devices that convert physical signals to electrical signals focusing on design and applications in automation medical and industrial systems **Network Reliability** Sanjay Kumar Chaturvedi,2016-05-31 In Engineering theory and applications we think and operate in terms of logics and models with some acceptable and reasonable assumptions The present text is aimed at providing modelling and analysis techniques for the evaluation of reliability measures 2 terminal all terminal k terminal reliability for systems whose structure can be described in the form of a probabilistic graph Among the several approaches of network reliability evaluation the multiple variable

inversion sum of disjoint product approach finds a well deserved niche as it provides the reliability or unreliability expression in a most efficient and compact manner However it does require an efficiently enumerated minimal inputs minimal path spanning tree minimal k trees minimal cut minimal global cut minimal k cut depending on the desired reliability The present book covers these two aspects in detail through the descriptions of several algorithms devised by the reliability fraternity and explained through solved examples to obtain and evaluate 2 terminal k terminal and all terminal network reliability unreliability measures and could be its USP The accompanying web based supplementary information containing modifiable Matlab source code for the algorithms is another feature of this book A very concerted effort has been made to keep the book ideally suitable for first course or even for a novice stepping into the area of network reliability The mathematical treatment is kept as minimal as possible with an assumption on the readers side that they have basic knowledge in graph theory probabilities laws Boolean laws and set theory

The Weekly Underwriter Alasco Delancey Brigham, Henry Rogers Hayden, 1929 **Analog Systems and Applications** Mr. Rohit Manglik, 2024-07-11 EduGorilla Publication is a trusted name in the education sector committed to empowering learners with high quality study materials and resources Specializing in competitive exams and academic support EduGorilla provides comprehensive and well structured content tailored to meet the needs of students across various streams and levels O-level Physics Complete Guide (Yellowreef) Thomas Bond, Chris Hughes, 2013-10-04 Candidates Tutors must have noticed that the exam questions has gone towards advanced level year 1 but yet the syllabus does not reflect this change we have made the necessary accommodation First to provide the complete guide to lead one through this highly demanding knowledge requirement with full past years exam questions support Exact accurate answers and definitions most efficient method of learning hence saves time very advanced trade book complete edition and concise edition eBooks available A-level Physics Critical Guide (Yellowreef) Thomas Bond, Chris Hughes, 2013-11-13 candidates tutors must have noticed that the exam questions has gone towards tertiary year 1 level yet the syllabus does not reflect this change we have made the necessary inclusion provides the critical guide to lead one through this highly demanding knowledge requirement total exam compatibility in notes and examples exact and accurate definitions most efficient method of learning hence saves time advanced trade book Complete edition and concise edition eBooks available **Certain Digital Satellite System (DSS) Receivers and Components Thereof, Inv. 337-TA-392 ,**

Analog Electronics Applications Hernando Lautaro Fernandez-Canque, 2016-09-19 This comprehensive text discusses the fundamentals of analog electronics applications design and analysis Unlike the physics approach in other analog electronics books this text focuses on an engineering approach from the main components of an analog circuit to general analog networks Concentrating on development of standard formulae for conventional analog systems the book is filled with practical examples and detailed explanations of procedures to analyze analog circuits The book covers amplifiers filters and op amps as well as general applications of analog design **Technology Education** University of the State of New

York,1987 **Carbon Monoxide Toxicity** David G. Penney,2000-06-02 Public interest in the health impacts of carbon monoxide CO has been increasing rapidly during the past decade And rightly so it is the most ubiquitous environmental poison Car exhaust fumes furnaces gas powered engines home water heaters smoke from all types of fire and tobacco smoke all contribute to carbon monoxide intoxication the l

Ignite the flame of optimism with its motivational masterpiece, **Smoke Detector Circuit Diagram Explanation** . In a downloadable PDF format (Download in PDF: *), this ebook is a beacon of encouragement. Download now and let the words propel you towards a brighter, more motivated tomorrow.

<http://www.frostbox.com/data/virtual-library/Documents/Weber%20Manual%20Choke%20Kit.pdf>

Table of Contents Smoke Detector Circuit Diagram Explanation

1. Understanding the eBook Smoke Detector Circuit Diagram Explanation
 - The Rise of Digital Reading Smoke Detector Circuit Diagram Explanation
 - Advantages of eBooks Over Traditional Books
2. Identifying Smoke Detector Circuit Diagram Explanation
 - Exploring Different Genres
 - Considering Fiction vs. Non-Fiction
 - Determining Your Reading Goals
3. Choosing the Right eBook Platform
 - Popular eBook Platforms
 - Features to Look for in an Smoke Detector Circuit Diagram Explanation
 - User-Friendly Interface
4. Exploring eBook Recommendations from Smoke Detector Circuit Diagram Explanation
 - Personalized Recommendations
 - Smoke Detector Circuit Diagram Explanation User Reviews and Ratings
 - Smoke Detector Circuit Diagram Explanation and Bestseller Lists
5. Accessing Smoke Detector Circuit Diagram Explanation Free and Paid eBooks
 - Smoke Detector Circuit Diagram Explanation Public Domain eBooks
 - Smoke Detector Circuit Diagram Explanation eBook Subscription Services
 - Smoke Detector Circuit Diagram Explanation Budget-Friendly Options
6. Navigating Smoke Detector Circuit Diagram Explanation eBook Formats

- ePub, PDF, MOBI, and More
 - Smoke Detector Circuit Diagram Explanation Compatibility with Devices
 - Smoke Detector Circuit Diagram Explanation Enhanced eBook Features
7. Enhancing Your Reading Experience
 - Adjustable Fonts and Text Sizes of Smoke Detector Circuit Diagram Explanation
 - Highlighting and Note-Taking Smoke Detector Circuit Diagram Explanation
 - Interactive Elements Smoke Detector Circuit Diagram Explanation
 8. Staying Engaged with Smoke Detector Circuit Diagram Explanation
 - Joining Online Reading Communities
 - Participating in Virtual Book Clubs
 - Following Authors and Publishers Smoke Detector Circuit Diagram Explanation
 9. Balancing eBooks and Physical Books Smoke Detector Circuit Diagram Explanation
 - Benefits of a Digital Library
 - Creating a Diverse Reading Collection Smoke Detector Circuit Diagram Explanation
 10. Overcoming Reading Challenges
 - Dealing with Digital Eye Strain
 - Minimizing Distractions
 - Managing Screen Time
 11. Cultivating a Reading Routine Smoke Detector Circuit Diagram Explanation
 - Setting Reading Goals Smoke Detector Circuit Diagram Explanation
 - Carving Out Dedicated Reading Time
 12. Sourcing Reliable Information of Smoke Detector Circuit Diagram Explanation
 - Fact-Checking eBook Content of Smoke Detector Circuit Diagram Explanation
 - Distinguishing Credible Sources
 13. Promoting Lifelong Learning
 - Utilizing eBooks for Skill Development
 - Exploring Educational eBooks
 14. Embracing eBook Trends
 - Integration of Multimedia Elements
 - Interactive and Gamified eBooks

Smoke Detector Circuit Diagram Explanation Introduction

Free PDF Books and Manuals for Download: Unlocking Knowledge at Your Fingertips In today's fast-paced digital age, obtaining valuable knowledge has become easier than ever. Thanks to the internet, a vast array of books and manuals are now available for free download in PDF format. Whether you are a student, professional, or simply an avid reader, this treasure trove of downloadable resources offers a wealth of information, conveniently accessible anytime, anywhere. The advent of online libraries and platforms dedicated to sharing knowledge has revolutionized the way we consume information. No longer confined to physical libraries or bookstores, readers can now access an extensive collection of digital books and manuals with just a few clicks. These resources, available in PDF, Microsoft Word, and PowerPoint formats, cater to a wide range of interests, including literature, technology, science, history, and much more. One notable platform where you can explore and download free Smoke Detector Circuit Diagram Explanation PDF books and manuals is the internet's largest free library. Hosted online, this catalog compiles a vast assortment of documents, making it a veritable goldmine of knowledge. With its easy-to-use website interface and customizable PDF generator, this platform offers a user-friendly experience, allowing individuals to effortlessly navigate and access the information they seek. The availability of free PDF books and manuals on this platform demonstrates its commitment to democratizing education and empowering individuals with the tools needed to succeed in their chosen fields. It allows anyone, regardless of their background or financial limitations, to expand their horizons and gain insights from experts in various disciplines. One of the most significant advantages of downloading PDF books and manuals lies in their portability. Unlike physical copies, digital books can be stored and carried on a single device, such as a tablet or smartphone, saving valuable space and weight. This convenience makes it possible for readers to have their entire library at their fingertips, whether they are commuting, traveling, or simply enjoying a lazy afternoon at home. Additionally, digital files are easily searchable, enabling readers to locate specific information within seconds. With a few keystrokes, users can search for keywords, topics, or phrases, making research and finding relevant information a breeze. This efficiency saves time and effort, streamlining the learning process and allowing individuals to focus on extracting the information they need. Furthermore, the availability of free PDF books and manuals fosters a culture of continuous learning. By removing financial barriers, more people can access educational resources and pursue lifelong learning, contributing to personal growth and professional development. This democratization of knowledge promotes intellectual curiosity and empowers individuals to become lifelong learners, promoting progress and innovation in various fields. It is worth noting that while accessing free Smoke Detector Circuit Diagram Explanation PDF books and manuals is convenient and cost-effective, it is vital to respect copyright laws and intellectual property rights. Platforms offering free downloads often operate within legal boundaries, ensuring that the materials they provide are either in the public domain or authorized for distribution. By adhering to copyright laws, users can enjoy the benefits of free access to knowledge while

supporting the authors and publishers who make these resources available. In conclusion, the availability of Smoke Detector Circuit Diagram Explanation free PDF books and manuals for download has revolutionized the way we access and consume knowledge. With just a few clicks, individuals can explore a vast collection of resources across different disciplines, all free of charge. This accessibility empowers individuals to become lifelong learners, contributing to personal growth, professional development, and the advancement of society as a whole. So why not unlock a world of knowledge today? Start exploring the vast sea of free PDF books and manuals waiting to be discovered right at your fingertips.

FAQs About Smoke Detector Circuit Diagram Explanation Books

1. Where can I buy Smoke Detector Circuit Diagram Explanation books? Bookstores: Physical bookstores like Barnes & Noble, Waterstones, and independent local stores. Online Retailers: Amazon, Book Depository, and various online bookstores offer a wide range of books in physical and digital formats.
2. What are the different book formats available? Hardcover: Sturdy and durable, usually more expensive. Paperback: Cheaper, lighter, and more portable than hardcovers. E-books: Digital books available for e-readers like Kindle or software like Apple Books, Kindle, and Google Play Books.
3. How do I choose a Smoke Detector Circuit Diagram Explanation book to read? Genres: Consider the genre you enjoy (fiction, non-fiction, mystery, sci-fi, etc.). Recommendations: Ask friends, join book clubs, or explore online reviews and recommendations. Author: If you like a particular author, you might enjoy more of their work.
4. How do I take care of Smoke Detector Circuit Diagram Explanation books? Storage: Keep them away from direct sunlight and in a dry environment. Handling: Avoid folding pages, use bookmarks, and handle them with clean hands. Cleaning: Gently dust the covers and pages occasionally.
5. Can I borrow books without buying them? Public Libraries: Local libraries offer a wide range of books for borrowing. Book Swaps: Community book exchanges or online platforms where people exchange books.
6. How can I track my reading progress or manage my book collection? Book Tracking Apps: Goodreads, LibraryThing, and Book Catalogue are popular apps for tracking your reading progress and managing book collections. Spreadsheets: You can create your own spreadsheet to track books read, ratings, and other details.
7. What are Smoke Detector Circuit Diagram Explanation audiobooks, and where can I find them? Audiobooks: Audio recordings of books, perfect for listening while commuting or multitasking. Platforms: Audible, LibriVox, and Google Play Books offer a wide selection of audiobooks.

8. How do I support authors or the book industry? Buy Books: Purchase books from authors or independent bookstores. Reviews: Leave reviews on platforms like Goodreads or Amazon. Promotion: Share your favorite books on social media or recommend them to friends.
9. Are there book clubs or reading communities I can join? Local Clubs: Check for local book clubs in libraries or community centers. Online Communities: Platforms like Goodreads have virtual book clubs and discussion groups.
10. Can I read Smoke Detector Circuit Diagram Explanation books for free? Public Domain Books: Many classic books are available for free as they're in the public domain. Free E-books: Some websites offer free e-books legally, like Project Gutenberg or Open Library.

Find Smoke Detector Circuit Diagram Explanation :

weber manual choke kit

weblogic 9administration guide

weed eater gbi 20 owners manual

[weed eater 300 series lawn mower manual](#)

website ownership know about the skills of owning a website

[weed eater fl20 manual](#)

[weekly high school progress report](#)

[wd frazee ransom and reunion](#)

weather report for the chesapeake bay

we recommend this for most users quickbooks

~~weider pro home gym exercise guide~~

web site optimization report bangladesh

websites and cookbooks for diabetes recipes

wd 670 hp user guide

weed eater twist n edge rte115 user manual

Smoke Detector Circuit Diagram Explanation :

Introduction to Materials Management (7th Edition) Introduction to Materials Management, Seventh Edition covers all the essentials of modern supply chain management, manufacturing planning and control systems, ... Introduction to Materials

Management (7th Edition) - AbeBooks Introduction to Materials Management, Seventh Edition covers all the essentials of modern supply chain management, manufacturing planning and control systems, ... Introduction to Materials Management (7th Edition) Introduction to Materials Management (7th Edition). by J. R. Tony Arnold, Stephen ... J. R. Tony Arnold is the author of 'Introduction to Materials Management ... Introduction to Materials Management (7th Edition ... Introduction to Materials Management (7th Edition) by J. R. Tony Arnold (Dec 31 2010) [unknown author] on Amazon.com. *FREE* shipping on qualifying offers. Introduction To Materials Management - Biblio.com Written in a simple and user-friendly style, this book covers all the basics of supply chain management and production and inventory control. Introduction to Materials Management: - Softcover Introduction to Materials Management, Seventh Edition covers all the essentials of modern supply chain management, manufacturing planning and control systems, ... Introduction to Materials Management by J. R. Tony Arnold Introduction to Materials Management, Seventh Edition covers all the essentials of modern supply chain management, manufacturing planning and control systems ... Introduction to Materials Management - Google Books Introduction to Materials Management, Seventh Edition covers all the essentials of modern supply chain management ... J. R. Tony Arnold, Stephen N. Chapman ... Introduction to Materials Management by J. R. Tony Arnold ... Introduction to Materials Management, Seventh Edition covers all the essentials of modern supply chain management, manufacturing planning and control systems, ... Introduction to Materials Management (7th Edition) - Biblio Introduction to Materials Management (7th Edition); Author ; Arnold, J. R. Tony; Book Condition ; UsedGood; Quantity Available ; 0131376705; ISBN 13 ; 9780131376700 ... 4000 Years of Christmas: A Gift from the Ages it is an excellent publication showing the origins of many Christmas traditions. This includes originally pagan customs that were later Christianized, with the ... 4000 Years of Christmas: A Gift from the Ages A detailed look at the origins of Christmas celebrations ranges from before Jesus's birth and includes Rome's pagan Saturnalia customs, the Druids burning ... 4000 Years of Christmas - Books This modern holiday classic carries the reader around the globe and through the millennia. Beginning 2,000 years before Christ, it explains traditions like ... 4000 Years of Christmas: A Gift from the Ages Following myth and folklore from the Near East, Greece, Rome and northern Europe, 4,000 Years of Christmas tells a story that begins not with a manger in ... 4000 Years of Christmas: A Gift from the Ages - Hardcover A detailed look at the origins of Christmas celebrations ranges from before Jesus's birth and includes Rome's pagan Saturnalia customs, the Druids burning ... 4000 Years of Christmas: A Gift from the Ages by Count, Earl 4000 Years of Christmas: A Gift from the Ages by Count, Earl Pages can have notes/highlighting. Spine may show signs of wear. ~ ThriftBooks: Read More ... 4000 years of Christmas by Earl W Count (1899-?) - 1948 From 4000 years ago, and the country north of Mesopotamia where -- in the worship of the god Marduk, Christmas began; then the Roman Saturnalia; the 4th century ... 4000 Years of Christmas: A Gift from... book by Earl W. Count Following myth and folklore from the Near East, Greece, Rome and northern Europe, 4,000 Years of Christmas tells a story that begins not with a

manger in ... 4000 Years of Christmas: A Gift from the Ages (Hardcover ... A detailed look at the origins of Christmas celebrations ranges from before Jesus's birth and includes Rome's pagan Saturnalia customs, the Druids burning of ... 4000 Years of Christmas: A Gift from the Ages - Biblio.com Devoted collectors of rare books will love finding proofs, galleys, and advance review copies of their favorite pieces of literature. Find rare proofs and ... Give Me Liberty!: An American History (Brief Third ... Give Me Liberty!: An American History (Brief Third Edition) (Vol. 1). Brief Third Edition. ISBN-13: 978-0393935523, ... Give Me Liberty!: An American History by Foner, Eric A clear, concise, up to date, authoritative history by one of the leading historians in the country. Give Me Liberty! is the leading book in the market ... Give Me Liberty! | Eric Foner - W.W. Norton The most successful U.S. History textbook, now built for the AP® course, Give Me Liberty!, An American History, Eric Foner, 9780393697018. Give Me Liberty!: An American History, ... A single-author book, Give Me Liberty! offers students a consistent approach, a single narrative voice, and a coherent perspective throughout the text. Threaded ... Give Me Liberty!: An American History (Brief Third Edition) ... Give Me Liberty!: An American History (Brief Third Edition) (Vol. 1) by Foner, Eric - ISBN 10: 0393935523 - ISBN 13: 9780393935523 - W. W. Norton & Company ... Pre-Owned Give Me Liberty! - Eric Foner - Walmart Pre-Owned Give Me Liberty!: An American History Brief Third Edition Vol. 1 Paperback 0393935523 9780393935523 Eric Foner. USD\$4.70. Give Me Liberty, Seagull Edition Volume 1 Give Me Liberty, Seagull Edition Volume 1 - With Access ; SKU: MBS_2321149_new ; Edition: 6TH 20 ; Publisher: NORTON. Give Me Liberty! Volume 1 by Eric M. Foner Buy Give Me Liberty! An American History Third Edition Vol 1 By Eric Foner Isbn 0393920305 9780393920307 4th edition 2013. Give Me Liberty!: An American History - Eric Foner Give Me Liberty!: An American History, Volume 1. Front Cover. Eric Foner. W.W. Norton, 2006 - Democracy - 509 pages. Give Me Liberty! Volume 1 Third Edition Give Me Liberty! Volume 1 Third Edition. Condition is Very Good. Shipped with USPS Parcel Select Ground.