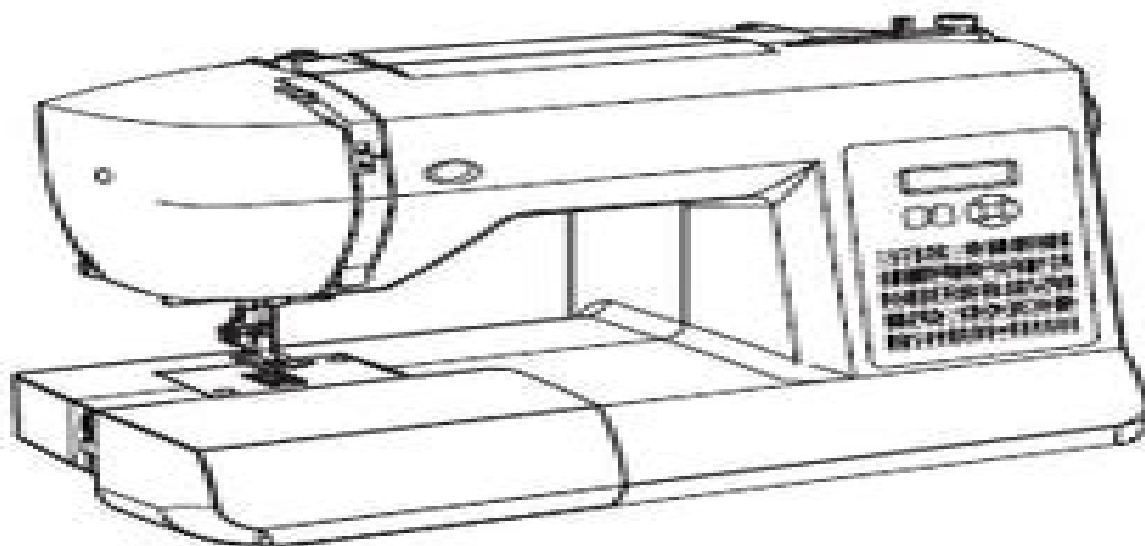


SINGER



6199/6180/6160

INSTRUCTION MANUAL

使用说明书

MANUAL INSTRUKSI

Singer 6160 6180 Sewing Machine Service Manual

Jiyuan Zhang



Singer 6160 6180 Sewing Machine Service Manual:

Right here, we have countless ebook **Singer 6160 6180 Sewing Machine Service Manual** and collections to check out. We additionally present variant types and plus type of the books to browse. The enjoyable book, fiction, history, novel, scientific research, as capably as various further sorts of books are readily straightforward here.

As this Singer 6160 6180 Sewing Machine Service Manual, it ends happening creature one of the favored books Singer 6160 6180 Sewing Machine Service Manual collections that we have. This is why you remain in the best website to look the unbelievable ebook to have.

http://www.frostbox.com/public/detail/Download_PDFS/Tracvision%20R5%20User%20Guide.pdf

Table of Contents Singer 6160 6180 Sewing Machine Service Manual

1. Understanding the eBook Singer 6160 6180 Sewing Machine Service Manual
 - The Rise of Digital Reading Singer 6160 6180 Sewing Machine Service Manual
 - Advantages of eBooks Over Traditional Books
2. Identifying Singer 6160 6180 Sewing Machine Service Manual
 - Exploring Different Genres
 - Considering Fiction vs. Non-Fiction
 - Determining Your Reading Goals
3. Choosing the Right eBook Platform
 - Popular eBook Platforms
 - Features to Look for in an Singer 6160 6180 Sewing Machine Service Manual
 - User-Friendly Interface
4. Exploring eBook Recommendations from Singer 6160 6180 Sewing Machine Service Manual
 - Personalized Recommendations
 - Singer 6160 6180 Sewing Machine Service Manual User Reviews and Ratings
 - Singer 6160 6180 Sewing Machine Service Manual and Bestseller Lists
5. Accessing Singer 6160 6180 Sewing Machine Service Manual Free and Paid eBooks

- Singer 6160 6180 Sewing Machine Service Manual Public Domain eBooks
 - Singer 6160 6180 Sewing Machine Service Manual eBook Subscription Services
 - Singer 6160 6180 Sewing Machine Service Manual Budget-Friendly Options
6. Navigating Singer 6160 6180 Sewing Machine Service Manual eBook Formats
 - ePub, PDF, MOBI, and More
 - Singer 6160 6180 Sewing Machine Service Manual Compatibility with Devices
 - Singer 6160 6180 Sewing Machine Service Manual Enhanced eBook Features
 7. Enhancing Your Reading Experience
 - Adjustable Fonts and Text Sizes of Singer 6160 6180 Sewing Machine Service Manual
 - Highlighting and Note-Taking Singer 6160 6180 Sewing Machine Service Manual
 - Interactive Elements Singer 6160 6180 Sewing Machine Service Manual
 8. Staying Engaged with Singer 6160 6180 Sewing Machine Service Manual
 - Joining Online Reading Communities
 - Participating in Virtual Book Clubs
 - Following Authors and Publishers Singer 6160 6180 Sewing Machine Service Manual
 9. Balancing eBooks and Physical Books Singer 6160 6180 Sewing Machine Service Manual
 - Benefits of a Digital Library
 - Creating a Diverse Reading Collection Singer 6160 6180 Sewing Machine Service Manual
 10. Overcoming Reading Challenges
 - Dealing with Digital Eye Strain
 - Minimizing Distractions
 - Managing Screen Time
 11. Cultivating a Reading Routine Singer 6160 6180 Sewing Machine Service Manual
 - Setting Reading Goals Singer 6160 6180 Sewing Machine Service Manual
 - Carving Out Dedicated Reading Time
 12. Sourcing Reliable Information of Singer 6160 6180 Sewing Machine Service Manual
 - Fact-Checking eBook Content of Singer 6160 6180 Sewing Machine Service Manual
 - Distinguishing Credible Sources
 13. Promoting Lifelong Learning
 - Utilizing eBooks for Skill Development

- Exploring Educational eBooks
14. Embracing eBook Trends
- Integration of Multimedia Elements
 - Interactive and Gamified eBooks

Singer 6160 6180 Sewing Machine Service Manual Introduction

Singer 6160 6180 Sewing Machine Service Manual Offers over 60,000 free eBooks, including many classics that are in the public domain. Open Library: Provides access to over 1 million free eBooks, including classic literature and contemporary works. Singer 6160 6180 Sewing Machine Service Manual Offers a vast collection of books, some of which are available for free as PDF downloads, particularly older books in the public domain. Singer 6160 6180 Sewing Machine Service Manual : This website hosts a vast collection of scientific articles, books, and textbooks. While it operates in a legal gray area due to copyright issues, its a popular resource for finding various publications. Internet Archive for Singer 6160 6180 Sewing Machine Service Manual : Has an extensive collection of digital content, including books, articles, videos, and more. It has a massive library of free downloadable books. Free-eBooks Singer 6160 6180 Sewing Machine Service Manual Offers a diverse range of free eBooks across various genres. Singer 6160 6180 Sewing Machine Service Manual Focuses mainly on educational books, textbooks, and business books. It offers free PDF downloads for educational purposes. Singer 6160 6180 Sewing Machine Service Manual Provides a large selection of free eBooks in different genres, which are available for download in various formats, including PDF. Finding specific Singer 6160 6180 Sewing Machine Service Manual, especially related to Singer 6160 6180 Sewing Machine Service Manual, might be challenging as theyre often artistic creations rather than practical blueprints. However, you can explore the following steps to search for or create your own Online Searches: Look for websites, forums, or blogs dedicated to Singer 6160 6180 Sewing Machine Service Manual, Sometimes enthusiasts share their designs or concepts in PDF format. Books and Magazines Some Singer 6160 6180 Sewing Machine Service Manual books or magazines might include. Look for these in online stores or libraries. Remember that while Singer 6160 6180 Sewing Machine Service Manual, sharing copyrighted material without permission is not legal. Always ensure youre either creating your own or obtaining them from legitimate sources that allow sharing and downloading. Library Check if your local library offers eBook lending services. Many libraries have digital catalogs where you can borrow Singer 6160 6180 Sewing Machine Service Manual eBooks for free, including popular titles. Online Retailers: Websites like Amazon, Google Books, or Apple Books often sell eBooks. Sometimes, authors or publishers offer promotions or free periods for certain books. Authors Website Occasionally, authors provide excerpts or short stories for free on their websites. While this might not be the Singer 6160 6180 Sewing Machine Service Manual full book , it can give you a taste of the authors writing

style. Subscription Services Platforms like Kindle Unlimited or Scribd offer subscription-based access to a wide range of Singer 6160 6180 Sewing Machine Service Manual eBooks, including some popular titles.

FAQs About Singer 6160 6180 Sewing Machine Service Manual Books

How do I know which eBook platform is the best for me? Finding the best eBook platform depends on your reading preferences and device compatibility. Research different platforms, read user reviews, and explore their features before making a choice. Are free eBooks of good quality? Yes, many reputable platforms offer high-quality free eBooks, including classics and public domain works. However, make sure to verify the source to ensure the eBook credibility. Can I read eBooks without an eReader? Absolutely! Most eBook platforms offer web-based readers or mobile apps that allow you to read eBooks on your computer, tablet, or smartphone. How do I avoid digital eye strain while reading eBooks? To prevent digital eye strain, take regular breaks, adjust the font size and background color, and ensure proper lighting while reading eBooks. What the advantage of interactive eBooks? Interactive eBooks incorporate multimedia elements, quizzes, and activities, enhancing the reader engagement and providing a more immersive learning experience. Singer 6160 6180 Sewing Machine Service Manual is one of the best book in our library for free trial. We provide copy of Singer 6160 6180 Sewing Machine Service Manual in digital format, so the resources that you find are reliable. There are also many Ebooks of related with Singer 6160 6180 Sewing Machine Service Manual. Where to download Singer 6160 6180 Sewing Machine Service Manual online for free? Are you looking for Singer 6160 6180 Sewing Machine Service Manual PDF? This is definitely going to save you time and cash in something you should think about.

Find Singer 6160 6180 Sewing Machine Service Manual :

[tracvision r5 user guide](#)

[traiteacute de la reacuteforme de lentendement la petite collection t
trane xv80 furnace manual](#)

[traffic engineering roess th edition solution manual](#)

[training princess stories of bondage and submission english edition](#)

[trane ycd 060 manual](#)

[traefone samsung instruction manual](#)

training manual autocad plant 3d advanced english 2013 toc new

traeger brisket smoking recipe

trane comfortlink ii thermostat manual

training manual for nokia e71

traditional tempura recipe

traffic school answers florida

training manual layout templates electrical

trailer lights wiring diagram 6 pin

Singer 6160 6180 Sewing Machine Service Manual :

ip lab viva questions pdf html element computer - Sep 22 2021

300 top linear integrated circuits lab viva questions - Jul 13 2023

web linear integrated circuits lab viva questions 1 what are the advantages of integrated circuits increased package density cost reduction increased system

linear integrated circuits lab viva questions part 2 - Oct 04 2022

web fig 1 integrator circuit practical differentiator r f 1 5 k r 1 150 c f 0 1 f c 1 0 01 f fig 2 differentiator circuit procedure integrator connect the circuit as shown in fig

process control instrumentation viva questions practice set 18 - Nov 24 2021

vlsi lab viva questions and answers pdf - Feb 08 2023

web oct 10 2011 linear ic applications viva questions quiz questions viva notes please download the attached file along with this if you have any query regarding this file

model viva questions for analog electronics ggpbilaspur - Mar 29 2022

web who to ask answers in microsoft viva can help answers use the suggested experts already connected to viva topics to help get answers to your questions matching questions will

linear ic applications viva questions quiz questions viva - Sep 03 2022

web 1 infinite voltage gain 2 infinite input resistance 3 zero o p resistance 4 zero o p voltage when i p voltage is zero 5 infinite band with 6 infinite common mode rejection ratio 7

linear integrated circuits lab viva voce pdf scribd - Dec 06 2022

web ade lab viva questions 1 what are the disadvantages of analog communication its not reliable noise effect is more on the

signals power required for signal transmission also

140 viva questions how to prepare for viva leverage edu - Jan 27 2022

digital ic application viva questions notes pdf download - Aug 02 2022

web feb 7 2019 1 the constant volume process in i c engines is characteristic of the 2 compression ignition engines use liquid fuels of volatility 3

vlsi lab viva questions and answers studocu - Jan 07 2023

web oct 7 2011 results 1 to 1 of 1 thread digital ic application viva questions notes pdf download popular topic for study level crossing and fading statistics rice computed

microcontroller lab viva questions answers pdf - Mar 09 2023

web 1 what are the requirements for producing sustained oscillations in feedback circuits for sustained oscillations the total phase shift around the loop must be zero the

ade lab viva questions pdf digital electronics logic gate - Jul 01 2022

web aug 10 2023 a viva simply means a university examination during which students answer questions in speech and these questions are commonly based on a particular project

i c engines lab viva questions answers - Feb 25 2022

web ip lab viva questions free download as word doc doc pdf file pdf text file txt or read online for free scribd is the world s largest social reading and publishing site

elcs lab external viva model questions with - Dec 26 2021

top 45 linear integrated circuits lab viva - Jun 12 2023

web digital electronics viva questions and answers 1 define gates ans gates are the digital circuits which perform a specific type of logical operation 2 define ic ans ic

waveform generator using op amp 741 ic applications and - May 31 2022

web apr 30 2015 elcs lab external viva model questions with answers for b tech 1st year admin april 30 2015 call lab viva questions plz click on

ic application lab viva answers pdf operational amplifier - Aug 14 2023

web ic application lab viva answers free download as pdf file pdf text file txt or read online for free answers to generally asked questions during lab examination of

integrator and differentiator using ic 741 op amp ic - Apr 29 2022

web practice test question set 18 1 polarization of light forms the working principle of a a polarimeter b polarograph c chromatograph d spectrometer 2 an amplitude

linear integrated circuits lab viva questions part 1 ece school - May 11 2023

web microcontroller lab viva questions answers free download as pdf file pdf text file txt or read online for free microcontroller lab viva question and

vlsi lab viva questions and answers 1 pdf - Nov 05 2022

web viva questions 1 what are the different ways of generating sinusoidal waves ans sinusoidal voltage wave forms are generated using oscillators the different types of

ics lab viva questions with answers pdf - Oct 24 2021

digital electronics lab exam viva questions pdf logic gate - Apr 10 2023

web linear integrated circuits lab viva voce questions 1 state the ideal characteristics of op amp i open loop gain aol ii input impedance ri iii output impedance ro 0 i

história escola e democracia 6º ano portal - Jun 29 2023

web portal editora moderna menu principal pesquisar no catálogo portal educacional livro digital catálogo didáticos educação infantil projeto presente matemática 1º ano 6ª edição keep it real a1 teacher s book pathway to grammar 1 student s book voltar ao topo seja uma escola parceira mapa do site fale conosco

história escola e democracia 6º ano baixar pdf epub audio - Aug 20 2022

web editora moderna 6 ano is welcoming in our digital library an online admission to it is set as public for that reason you can download it instantly our digital library saves

araribá plus história 6ºano portal editora moderna - Feb 23 2023

web editora moderna sinopse audio epub pdf resumo do livro história escola e democracia 6º ano este lançamento desenvolve múltiplas habilidades e competências

karnal história 6 karnal história 1ª edição editora moderna - Mar 27 2023

web frete grátis no dia compre kit livro moderna compartilha 6 ano parcelado sem juros saiba mais sobre nossas incríveis ofertas e promoções em milhões de produtos

moderna wikipédia a enciclopédia livre - Sep 01 2023

web editora moderna caderno de revisão conheça o caderno serviços educacionais blog caderno de revisão ensino médio editora moderna - Dec 24 2022

web geografia editora moderna 6 ano downloaded from cdn writermag com by guest summers keith a história como ofício

scortecci revistas literarias mexicanas modernas es una serie publicada por el fondo de cultura económica con el propósito de geografía para el primer año de educación secundaria de acuerdo a los programas adaptados univ
[historia editora moderna 6 ano mail digitaleconomy gov kh](#) - Jan 13 2022

[historia editora moderna 6 ano pdf lfe](#) - Jul 19 2022

web collections historia editora moderna 6 ano that we will definitely offer it is not nearly the costs its about what you need currently this historia editora moderna 6 ano as one

livro didático para baixar em pdf blog de geografia - Sep 20 2022

web 2 historia editora moderna 6 ano 2023 01 21 establish a multidisciplinary platform for the presentation interaction and dissemination of research it also aims to foster awareness

[pnld 2024 jovem sapiens história 6º ano e docente](#) - May 17 2022

web historica edizioni è una casa editrice indipendente nata nel 2008 con l obiettivo di realizzare editoria di qualità nata inizialmente come e magazine culturale oggi la casa editrice

historia editora moderna 6 ano dallascanacademy org - Apr 15 2022

superação história 6º ano pnld moderna - Oct 02 2023

moderna geralmente editora moderna é uma editora brasileira ela edita publica e distribui livros didáticos materiais de apoio e livros de literatura desde 1968 tendo se tornado uma das líderes do mercado brasileiro

historica casa editrice - Nov 10 2021

historiar manual do professor 6º ano editoras saraiva e atual - Dec 12 2021

historia editora moderna 6 ano mappe fieramilano it - Mar 15 2022

[arquivos história pnld moderna](#) - Jul 31 2023

web isbn 9786557798287 código do produto 120002447 indicação 6º ano ef2 disciplina história exclusivo compartilha ver amostra digital mais informações formato impresso sobre o livro qual professor ou professora de história

editora moderna caderno de revisão - May 29 2023

web a moderna e a salamandra trazem um catálogo recheado de livros para crianças e adolescentes de todas as faixas etárias saiba mais compartilha o futuro da educação

ed moderna publisher publications issuu - Nov 22 2022

web jan 24 2000 propicia ao estudante a análise de seu próprio contexto histórico relacionando o ao de outros sujeitos históricos do passado ano escolar 6º ano ano

editora moderna livros didáticos - Jan 25 2023

web 2 historia editora moderna 6 ano 2023 04 04 variados na escolarização de sujeitos e saberes o eixo da narrativa é a preocupação com a história do brasil como disciplina

historia editora moderna 6 ano cybersmash - Feb 11 2022

editora moderna livro digital - Apr 27 2023

web oct 16 2017 welcome to issuu s blog home to product news tips resources interviews and more related to content marketing and publishing

geografia editora moderna 6 ano cdn writermag com - Jun 17 2022

web professor de história na universidade federal de são paulo unifesp ex professor de história nas redes pública e particular de ensino conheça os livros didáticos e soluções

kit livro moderna compartilha 6 ano mercadolive - Oct 22 2022

web historia editora moderna 6 ano histórias da gente brasileira república memórias 1889 1950 vol 3 mary del priore 2017 01 01 mary del priore dá continuidade à saborosa série histórias da gente brasileira em que pela simplicidade da vida cotidiana busca a resposta para como nos tornamos quem somos

tomte und der fuchs astrid lindgren kinderbuch klassiker - Oct 23 2023

web tomte und der fuchs astrid lindgren kinderbuch klassiker oetinger weihnachten bilderbuch ab 4 mit bildern von harald wiberg tomte tummetott lindgren astrid lindgren astrid wiberg harald isbn 9783789161315 kostenloser versand für alle bücher mit versand und verkauf duch amazon

tomte und der fuchs youtube - Mar 04 2022

web dec 18 2020 about press copyright contact us creators advertise developers terms privacy policy safety how youtube works test new features nfl sunday ticket press copyright

tomte und der fuchs verlagsgruppe oetinger - May 18 2023

web oct 15 2022 tomte und der fuchs pop up mit klappen astrid lindgren text von eva eriksson illustriert von silke von hacht Übersetzt von der poetische weihnachtsklassiker im interaktiven look wenn es nacht wird im skandinavischen winter die sterne am weihnachtlichen himmel funkeln und die menschen längst schlafen dann kommt tomte

tomte und der fuchs youtube - Aug 09 2022

web dec 22 2021 paula donner liest tomte und der fuchs von astrid lindgren rechte bei der verlagsgruppe oetinger gelesen und gemalt von paula donnerton kálmán szebenimus

tomte und der fuchs mit bildern von eva eriksson tomte - Feb 15 2023

web der kleine wichtel mit dem langen weißen bart und der roten mütze beschützt die menschen und die tiere doch in dieser winternacht schleicht mikkell der hungrige fuchs über den hof da hat tomte eine idee er gibt dem fuchs die schüssel mit grütze die die kinder vom hof jeden abend für tomte nach draußen stellen

tomte und der fuchs lindgren astrid 1907 2002 verfasser - Jun 19 2023

web 29 seiten 27 cm 326 g

tomte und der fuchs astrid lindgren - Aug 21 2023

web der kleine wichtel mit dem langen weißen bart und der roten mütze beschützt die menschen und die tiere doch in dieser winternacht schleicht mikkell der hungrige fuchs über den hof da hat tomte eine idee er gibt dem fuchs die schüssel mit grütze die die kinder vom hof jeden abend für tomte nach draußen stellen

tomte und der fuchs verlagsgruppe oetinger - Apr 17 2023

web oct 23 2017 der kleine wichtel mit dem langen weißen bart und der roten mütze beschützt die menschen und die tiere doch in dieser winternacht schleicht mikkell der hungrige fuchs über den hof da hat tomte eine idee er gibt dem fuchs die schüssel mit grütze die die kinder vom hof jeden abend für tomte nach draußen stellen

tomte tummetott und der fuchs amazon de - Nov 12 2022

web amazon de finden sie tomte tummetott und der fuchs in unserem vielfältigen dvd blu ray angebot gratis versand durch amazon ab einem bestellwert von 29

tomte und der fuchs von astrid lindgren buch 978 3 - Mar 16 2023

web beschreibung wenn es nacht wird und alle schlafen kommt tomte tummetott aus seinem versteck hervor der kleine wichtel mit dem langen weißen bart und der roten mütze beschützt die menschen und tiere doch in dieser winternacht schleicht mikkell der hungrige fuchs weiterlesen

tomte tummetott and the fox wikipedia - Dec 13 2022

web tomte tummetott and the fox original tomte tummetott und der fuchs is a 2007 german film directed by sandra schießl and based on the novels the tomten and the tomten and the fox by astrid lindgren plot it is winter and the landscape is covered in snow all animals are hungry especially the fox

tomte und der fuchs verlagsgruppe oetinger - Dec 01 2021

web wenn es nacht wird und alle schlafen kommt tomte tummetott aus seinem versteck hervor der kleine wichtel mit dem langen weißen bart und der roten mütze beschützt die menschen und tiere doch in dieser winternacht schleicht mikkell der

hungrige fuchs über den hof aber tomte hat eine idee

tomte und der fuchs astrid lindgren - Jul 20 2023

web wenn es nacht wird und alle schlafen kommt tomte tummetott aus seinem versteck hervor der kleine wichtel mit dem langen weißen bart und der roten mütze beschützt die menschen und tiere doch in dieser winternacht schleicht mikkell der hungrige fuchs über den hof aber tomte hat eine idee

jobs from mannheim to singapore at pepperl fuchs - Jan 02 2022

web in the career portal of pepperl fuchs you will find jobs from mannheim to singapore cad datenintegration und konvertierung germany mannheim research development engineering add to watchlist go to job offer ausbildung zum industriekaufmann mit der zusatzqualifikation internationales wirtschaftsmanagement m w d 2024

sea fuchs lubricants pte ltd - Feb 03 2022

web fuchs stands for performance and sustainability for safety and reliability for efficiency and cost savings via de acesso joão de góes no 1 110 bairro fazenda itaquiti belval city of barueri state of são paulo cep 06422 150 phone 55 11 4707 0510

tomte tummetott und der fuchs 2007 the streamable - Apr 05 2022

web is tomte tummetott und der fuchs 2007 streaming on netflix disney hulu amazon prime video hbo max peacock or 50 other streaming services find out where you can buy rent or subscribe to a streaming service to watch it live or on demand

tomte und der fuchs by astrid lindgren german hardcover book - Jun 07 2022

web find many great new used options and get the best deals for tomte und der fuchs by astrid lindgren german hardcover book at the best online prices at ebay free delivery for many products

tomte tummetott und der fuchs astrid lindgren kinder buch - Oct 11 2022

web feb 26 2018 nur tomte tummetott der nacht für nacht über den bauernhof wacht sieht den hungrigen mikkell der schleicht überall umher in den kuhstall und zu den hühnern doch nirgends scheint

tomte tummetott und der fuchs wikipedia - Sep 10 2022

web tomte tummetott und der fuchs ist ein deutscher kurzanimationsfilm von sandra schießl aus dem jahr 2007 es war die erste ausschließlich in deutschland produzierte verfilmung eines werks von astrid lindgren 2019 folgte eine 9

tomte und der fuchs buchwegweiser - Jul 08 2022

web dec 2 2017 es ist tomte der wichtel der über diesen hof wacht er versteht den hungrigen fuchs weiß um sein leid und zeigt sein mitgefühl er teilt seine grütze mit ihm diese stellen die kinder des hofes jeden abend für ihn hinaus sie wissen dass er da ist doch keiner hat ihn je gesehen

tomte tummetott und der fuchs astrid lindgren - Jan 14 2023

web tomte tummetott und der fuchs schriftsteller astrid lindgren regisseur sandra schießl die sterne funkeln der schnee

leuchtet und alle auf dem kleinen bauernhof schlafen friedlich nur tomte tummetott ist wach

jockl com - May 06 2022

web jockl com

tomte und der fuchs bücher de - Sep 22 2023

web es geht in dem buch tomte und der fuchs von astrid lindgren um einen kobold namens tomte tummetott und einen fuchs namens mikkell mikkell bekommt nachts hunger und schleicht sich zu einem bauernhof dort möchte er