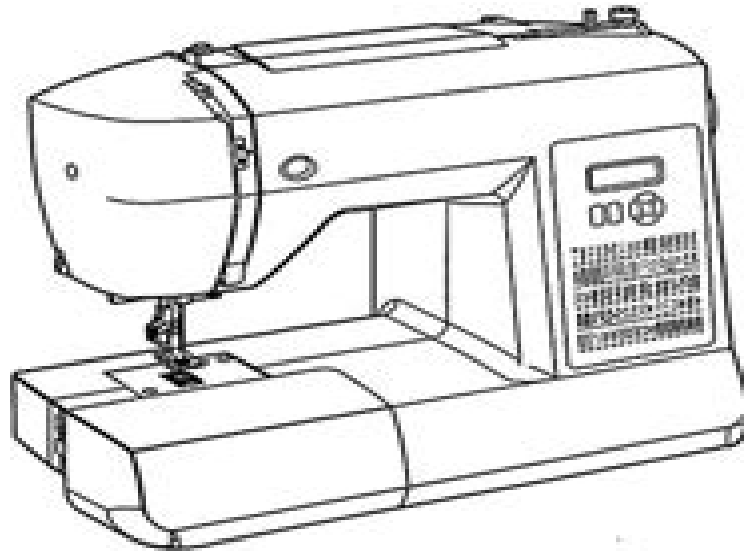


SINGER



6199

INSTRUCTION MANUAL

Singer Sewing Machine 6199 Manual

Singer Sewing Machine Company



Singer Sewing Machine 6199 Manual:

Catalog of Copyright Entries Library of Congress. Copyright Office, 1952 [Books and Pamphlets, Including Serials and Contributions to Periodicals](#) Library of Congress. Copyright Office, 1952 [Catalog of Copyright Entries](#) Library of Congress. Copyright Office, 1952 [Catalog of Copyright Entries, Third Series](#) Library of Congress. Copyright Office, 1952

Singer 4452 Heavy Duty Sewing Machine Instruction Manual Taylor J Monroe, 2025-08-04 NOTE This book is a practical user guide created for educational purposes only It is independently authored and not sponsored endorsed or approved by Singer Sewing Company Whether you re a seasoned seamstress or a beginner just starting your sewing journey the Singer 4452 Heavy Duty Sewing Machine Instruction Manual is your ultimate guide to mastering one of the most reliable and robust sewing machines on the market This comprehensive guide is designed to help you get the most out of your Singer 4452 ensuring you have the knowledge and confidence to tackle any project no matter your skill level Why This Guide is Important Sewing with the Singer 4452 can be incredibly rewarding but it s only when you fully understand how to set up troubleshoot and optimize the machine that you can truly unlock its potential Many users struggle with basic setup making common mistakes that could easily be avoided with the right guidance This book eliminates confusion and empowers you to sew with confidence From setting up your machine to advanced techniques every chapter is packed with valuable information that ensures you get the results you re looking for The guide not only walks you through the setup process but also provides troubleshooting tips pro techniques and creative project ideas making it an invaluable resource for any sewing enthusiast What s Inside the Book Comprehensive Setup Instructions Step by step guidance on how to unbox assemble and thread your machine ensuring you re up and running in no time Pro Tips Expert advice to help you sew faster more accurately and with less frustration Learn how to handle heavy fabrics improve stitch quality and optimize your machine s settings for every project Troubleshooting Detailed solutions to the most common problems including skipped stitches thread tangles and tension issues Get your machine back on track with ease Advanced Techniques Take your sewing skills to the next level by mastering advanced techniques like quilting creating custom buttonholes and working with specialty fabrics like denim and leather Project Ideas Inspiration for your next project whether you re looking to make clothing home d cor or accessories Every technique you learn can be applied to real world projects bringing your creative ideas to life Clear Helpful Images Inside the book you ll find helpful images that illustrate the setup process maintenance steps and sewing techniques making it easy to follow along and execute tasks without confusion Who is This Guide For Beginners If you re new to sewing this guide breaks down the process into manageable steps from setting up your machine to mastering basic stitches It s written in a clear accessible way so you won t feel overwhelmed as you learn Intermediate Sewers For those with a bit of experience this book offers valuable tips to fine tune your technique speed up your sewing process and solve common issues that can disrupt your workflow Experienced Users Even seasoned seamstresses will find pro tips advanced sewing techniques

and creative project ideas to help elevate their craft There s always something new to learn no matter how long you ve been sewing Perfect for sharing with friends family or anyone you know who owns or is considering the Singer 4452 Stock up now and make sewing easier more enjoyable and even more rewarding for yourself and others Grab your copy now and start sewing with confidence

Manual of Family Sewing Machines Singer Sewing Machine Company,1914 **A Manual of Family Sewing Machines** Singer Sewing Machine Company,1923 *Instructions for Using Singer Sewing Machines Nos. 52w12 and 52w13* Singer Sewing Machine Company,1916 *Instructions for Using Singer Sewing Machines of Class 69* Singer Manufacturing Company,1918 **A Manual of Family Sewing Machines & Their Attachments ...** Singer Sewing Machine Company,1914 **Singer Student's Manual of Machine Sewing** Singer Sewing Machine Company,1953

Instructions for Using Singer Sewing Machines No.99 ,1944 **Instructions for Using and Adjusting Singer Sewing Machines** Singer Manufacturing Company,1946 A Manual of Family Sewing Machines and Their Attachments ,19??

Instructions for Using the Singer Sewing Machine Singer Manufacturing Company,1896 *Instructions for Using Singer Sewing Machine 301* Singer Manufacturing Company,1953 **Student's Manual** Singer Sewing Machine Company. Educational Department,1960 *Instructions for Using and Adjusting Singer Sewing Machines 52 W 16, 52 W 17, 52 W 18 and 52 W 19* Singer Manufacturing Company,1935 Instructions for Using Singer Sewing Machines of Classes 12w and 14w Singer Manufacturing Company,1914 **Student's Manual of Machine Sewing** Singer Sewing Machine Company,1941

Yeah, reviewing a book **Singer Sewing Machine 6199 Manual** could amass your near associates listings. This is just one of the solutions for you to be successful. As understood, attainment does not recommend that you have fantastic points.

Comprehending as well as union even more than supplementary will allow each success. next to, the revelation as skillfully as perspicacity of this Singer Sewing Machine 6199 Manual can be taken as skillfully as picked to act.

<http://www.frostbox.com/public/uploaded-files/default.aspx/Short%20Talks%20Brick%20Book%20Classics%201%20Brick%20Books%20Classics.pdf>

Table of Contents Singer Sewing Machine 6199 Manual

1. Understanding the eBook Singer Sewing Machine 6199 Manual
 - The Rise of Digital Reading Singer Sewing Machine 6199 Manual
 - Advantages of eBooks Over Traditional Books
2. Identifying Singer Sewing Machine 6199 Manual
 - Exploring Different Genres
 - Considering Fiction vs. Non-Fiction
 - Determining Your Reading Goals
3. Choosing the Right eBook Platform
 - Popular eBook Platforms
 - Features to Look for in an Singer Sewing Machine 6199 Manual
 - User-Friendly Interface
4. Exploring eBook Recommendations from Singer Sewing Machine 6199 Manual
 - Personalized Recommendations
 - Singer Sewing Machine 6199 Manual User Reviews and Ratings
 - Singer Sewing Machine 6199 Manual and Bestseller Lists
5. Accessing Singer Sewing Machine 6199 Manual Free and Paid eBooks
 - Singer Sewing Machine 6199 Manual Public Domain eBooks

- Singer Sewing Machine 6199 Manual eBook Subscription Services
- Singer Sewing Machine 6199 Manual Budget-Friendly Options
- 6. Navigating Singer Sewing Machine 6199 Manual eBook Formats
 - ePub, PDF, MOBI, and More
 - Singer Sewing Machine 6199 Manual Compatibility with Devices
 - Singer Sewing Machine 6199 Manual Enhanced eBook Features
- 7. Enhancing Your Reading Experience
 - Adjustable Fonts and Text Sizes of Singer Sewing Machine 6199 Manual
 - Highlighting and Note-Taking Singer Sewing Machine 6199 Manual
 - Interactive Elements Singer Sewing Machine 6199 Manual
- 8. Staying Engaged with Singer Sewing Machine 6199 Manual
 - Joining Online Reading Communities
 - Participating in Virtual Book Clubs
 - Following Authors and Publishers Singer Sewing Machine 6199 Manual
- 9. Balancing eBooks and Physical Books Singer Sewing Machine 6199 Manual
 - Benefits of a Digital Library
 - Creating a Diverse Reading Collection Singer Sewing Machine 6199 Manual
- 10. Overcoming Reading Challenges
 - Dealing with Digital Eye Strain
 - Minimizing Distractions
 - Managing Screen Time
- 11. Cultivating a Reading Routine Singer Sewing Machine 6199 Manual
 - Setting Reading Goals Singer Sewing Machine 6199 Manual
 - Carving Out Dedicated Reading Time
- 12. Sourcing Reliable Information of Singer Sewing Machine 6199 Manual
 - Fact-Checking eBook Content of Singer Sewing Machine 6199 Manual
 - Distinguishing Credible Sources
- 13. Promoting Lifelong Learning
 - Utilizing eBooks for Skill Development
 - Exploring Educational eBooks

14. Embracing eBook Trends

- Integration of Multimedia Elements
- Interactive and Gamified eBooks

Singer Sewing Machine 6199 Manual Introduction

In this digital age, the convenience of accessing information at our fingertips has become a necessity. Whether its research papers, eBooks, or user manuals, PDF files have become the preferred format for sharing and reading documents. However, the cost associated with purchasing PDF files can sometimes be a barrier for many individuals and organizations. Thankfully, there are numerous websites and platforms that allow users to download free PDF files legally. In this article, we will explore some of the best platforms to download free PDFs. One of the most popular platforms to download free PDF files is Project Gutenberg. This online library offers over 60,000 free eBooks that are in the public domain. From classic literature to historical documents, Project Gutenberg provides a wide range of PDF files that can be downloaded and enjoyed on various devices. The website is user-friendly and allows users to search for specific titles or browse through different categories. Another reliable platform for downloading Singer Sewing Machine 6199 Manual free PDF files is Open Library. With its vast collection of over 1 million eBooks, Open Library has something for every reader. The website offers a seamless experience by providing options to borrow or download PDF files. Users simply need to create a free account to access this treasure trove of knowledge. Open Library also allows users to contribute by uploading and sharing their own PDF files, making it a collaborative platform for book enthusiasts. For those interested in academic resources, there are websites dedicated to providing free PDFs of research papers and scientific articles. One such website is Academia.edu, which allows researchers and scholars to share their work with a global audience. Users can download PDF files of research papers, theses, and dissertations covering a wide range of subjects. Academia.edu also provides a platform for discussions and networking within the academic community. When it comes to downloading Singer Sewing Machine 6199 Manual free PDF files of magazines, brochures, and catalogs, Issuu is a popular choice. This digital publishing platform hosts a vast collection of publications from around the world. Users can search for specific titles or explore various categories and genres. Issuu offers a seamless reading experience with its user-friendly interface and allows users to download PDF files for offline reading. Apart from dedicated platforms, search engines also play a crucial role in finding free PDF files. Google, for instance, has an advanced search feature that allows users to filter results by file type. By specifying the file type as "PDF," users can find websites that offer free PDF downloads on a specific topic. While downloading Singer Sewing Machine 6199 Manual free PDF files is convenient, its important to note that copyright laws must be respected. Always ensure that the PDF files you download are legally available for free. Many authors and publishers voluntarily provide free PDF versions of their work, but its essential to

be cautious and verify the authenticity of the source before downloading Singer Sewing Machine 6199 Manual. In conclusion, the internet offers numerous platforms and websites that allow users to download free PDF files legally. Whether its classic literature, research papers, or magazines, there is something for everyone. The platforms mentioned in this article, such as Project Gutenberg, Open Library, Academia.edu, and Issuu, provide access to a vast collection of PDF files. However, users should always be cautious and verify the legality of the source before downloading Singer Sewing Machine 6199 Manual any PDF files. With these platforms, the world of PDF downloads is just a click away.

FAQs About Singer Sewing Machine 6199 Manual Books

What is a Singer Sewing Machine 6199 Manual PDF? A PDF (Portable Document Format) is a file format developed by Adobe that preserves the layout and formatting of a document, regardless of the software, hardware, or operating system used to view or print it. **How do I create a Singer Sewing Machine 6199 Manual PDF?** There are several ways to create a PDF: Use software like Adobe Acrobat, Microsoft Word, or Google Docs, which often have built-in PDF creation tools. Print to PDF: Many applications and operating systems have a "Print to PDF" option that allows you to save a document as a PDF file instead of printing it on paper. Online converters: There are various online tools that can convert different file types to PDF. **How do I edit a Singer Sewing Machine 6199 Manual PDF?** Editing a PDF can be done with software like Adobe Acrobat, which allows direct editing of text, images, and other elements within the PDF. Some free tools, like PDFescape or Smallpdf, also offer basic editing capabilities. **How do I convert a Singer Sewing Machine 6199 Manual PDF to another file format?** There are multiple ways to convert a PDF to another format: Use online converters like Smallpdf, Zamzar, or Adobe Acrobats export feature to convert PDFs to formats like Word, Excel, JPEG, etc. Software like Adobe Acrobat, Microsoft Word, or other PDF editors may have options to export or save PDFs in different formats. **How do I password-protect a Singer Sewing Machine 6199 Manual PDF?** Most PDF editing software allows you to add password protection. In Adobe Acrobat, for instance, you can go to "File" -> "Properties" -> "Security" to set a password to restrict access or editing capabilities. Are there any free alternatives to Adobe Acrobat for working with PDFs? Yes, there are many free alternatives for working with PDFs, such as: LibreOffice: Offers PDF editing features. PDFsam: Allows splitting, merging, and editing PDFs. Foxit Reader: Provides basic PDF viewing and editing capabilities. How do I compress a PDF file? You can use online tools like Smallpdf, ILovePDF, or desktop software like Adobe Acrobat to compress PDF files without significant quality loss. Compression reduces the file size, making it easier to share and download. Can I fill out forms in a PDF file? Yes, most PDF viewers/editors like Adobe Acrobat, Preview (on Mac), or various online tools allow you to fill out forms in PDF files by selecting text fields and entering information. Are there any restrictions when working with PDFs?

Some PDFs might have restrictions set by their creator, such as password protection, editing restrictions, or print restrictions. Breaking these restrictions might require specific software or tools, which may or may not be legal depending on the circumstances and local laws.

Find Singer Sewing Machine 6199 Manual :

short talks brick book classics 1 brick books classics

siemens mxlv installation and operation manual

short answer study guide questions scarlet letter

short essay on ideal student

siemens vdo automotive corporation manual

siemens auto transfer switch

siemens acuson x300 user manual

siemens clinitek 50 urine analyzer manual

shortcuts hit songwriting techniques writing

shrimp burrito recipe

short essay on love

shumway stoffer solutions

short answer study guide questions night

shrimp new orleans recipe

shutterbox 4 shutterbox 4

Singer Sewing Machine 6199 Manual :

berlin travel lonely planet germany europe - Oct 16 2023

web berlin germany europe berlin s combo of glamour and grit is bound to mesmerise all those keen to explore its vibrant culture cutting edge architecture fabulous food intense parties and tangible history start planning your trip

14 of the best things to do in berlin lonely planet - Sep 15 2023

web jul 8 2023 4 enjoy drinks outdoors whether its beer gardens rooftop bars or some casual drinks in parks and by the landwehrkanal berliners take a relaxed approach to drinking and socializing outdoors while berlin has something to offer all year round the city in the warm weather has a special buzz around it 5

[berlin itinerary lonely planet](#) - Jun 12 2023

web jan 28 2015 day three kick off day three in western berlin by heading to schloss charlottenburg berlin s best preserved prussian palace where you should miss neither the neuer flügel new wing nor a spin around the lovely palace gardens assuming it s not sunday the area s ample shopping opportunities beckon take the u2 from sophie

berlin reiseführer lonely planet - Feb 08 2023

web unser lonely planet berlin reiseführer bietet dir zahlreiche infos reisetipps fakten für deine reise nach berlin auf einen blick

berlin brandenburg travel lonely planet germany europe - Jul 13 2023

web europe although it surrounds bustling berlin the brandenburg state of mind is as far from the german capital as shangri la it s a quiet gentle state with vast expanses of unspoilt scenery much of it in protected nature reserves its landscape is quilted in myriad shades from emerald beech forest to golden fields of rapeseed and sunflowers

[best free things to do in berlin lonely planet lonely planet](#) - May 11 2023

web jul 29 2023 3 track down iconic filming locations kaisers nazis the berlin wall berlin is dripping with history no wonder that it has inspired filmmakers to weave captivating tales against its iconic backdrop launch a diy film location tour at checkpoint charlie where bond sashayed into east berlin in octopussy

berlin travel book and ebook lonely planet - Jan 07 2023

web lonely planet s berlin is your passport to the most relevant up to date advice on what to see and skip and what hidden discoveries await you get up close to the brandenburger tor visit the berlin wall and explore the museums of museumsinsel all with your trusted travel companion get to the heart of berlin and be

[around berlin travel lonely planet germany europe](#) - Apr 10 2023

web berlin is fabulous and you ll certainly want to spend quite a bit of time there but don t forget to earmark a day or two or three for the surrounding state of brandenburg a land shaped by lakes canals and waterways large swathes of it are protected as biosphere preserves and nature parks creating a delightful escape from the urban hustle for berliners and

[best hotels and hostels berlin berlin brandenburg lonely planet](#) - Mar 09 2023

web top choice soho house berlin the berlin edition of the eponymous members club and celeb fave doubles as a hotel open to all the vintage eclectic rooms vary dramatically in size top choice 25hours hotel bikini berlin the urban jungle theme of this lifestyle outpost in the iconic 1950s bikini haus plays on its location between the

[must see attractions berlin berlin brandenburg lonely planet](#) - Aug 14 2023

web top choice neues museum for over 60 years not a soul was able to visit berlin s neues museum in fact it sat in ruins but today it s one of the city s most celebrated top choice pergamonmuseum the pergamonmuseum is one of berlin s most visited

historical gems and perhaps also its most controversial

deahair com - Nov 27 2022

web deahair com

kongsberg sdp 21 manual - Aug 25 2022

web sep 25 2012 kongsberg sdp 21 manual mar 10 2022 03 22 michael t 24 may coleen 06 oct collection collection info
addeedate 2012 09 25 02 03 13 collection additional collections texts filter top level and primary collection manuals filter top
level enable true identifier manuals mediatype collection publicdate 2012 09 25 02 03 13

sony cdp21 service manual service manuals - Feb 16 2022

web our sony cdp21 service manual provides the important servicing information and operating instructions you need to
diagnose and repair your malfunctioning or failing unit most of our service manuals will include disassembly instructions
schematic diagrams parts lists exploded views troubleshooting wiring diagrams and much much more

sdp 21 dynamic positioning system kongsberg maritime - Sep 06 2023

web data sheet sdp 21 upgrade to latest generation of dp systems k pos sdp 21 dynamic positioning system

sdp 21 k pos kongsberg maritime yumpu - Aug 05 2023

web mar 23 2014 strong sdp strong strong 21 strong k strong pos strong strong sdp strong strong 21 strong upgrade to
latest generation of dp systems k strong pos strong the strong sdp strong strong 21 strong k strong pos strong upgrade kit
converts a strong sdp strong

sdp 21 manual pdf full pdf eshraqgroup com - Oct 27 2022

web sdp 21 manual pdf is available in our digital library an online right of entry to it is set as public therefore you can
download it instantly our digital library saves in complex countries allowing you to acquire the most less latency epoch to
download any of our books gone this one merely said the sdp 21 manual pdf is universally

sdp 21 upgrade to latest generation of dp system scribd - Jan 30 2023

web sdp 21 upgrade to latest generation of dp systems k pos the sdp 21 k pos upgrade kit converts a sdp 21 system that has
been previously installed on a vessel to a k pos system upgrading extends the lifetime of the system and brings it up to the
latest stateofheart functionality and technology

operator reference manual kongsberg sdp os - May 02 2023

web mar 8 2017 the manual is covering all parts of dps including the joysticks and sensors thrusters and power systems etc
apart from the hardware the paper also addresses the position info changing the position heading setpoint user interface
various settings monitoring of the system status consequence analysis and other relevant information

dual redundant dynamic positioning system k pos d - Jul 04 2023

web dual redundant dynamic positioning system k pos d the k pos dp 21 22 dynamic positioning dp system consists of a dual dp controller unit and operator stations the controller unit and the operator station communicate via a dual high speed data network key technical information services

8 2821 mdp 8 2821 mdp user manual search engine - Sep 25 2022

web user manual 8 2821 mdp open the pdf directly view pdf page count 131

sdp 21 manual dna viz tpq io - Apr 20 2022

web oct 30 2023 4 sdp 21 manual 2023 05 24 adverse events may occur as a result of errors in preparation ordering or administration of blood and blood products this book contains the latest research in this essential field which has been revolutionised in recent decades project management of large software intensive systems routledge since its launch in

pdf from eureka to k pos dynamic positioning as a - Dec 29 2022

web aug 25 2015 manual thruster control was performed by two operators the naming convention established with the sdp generation continued resulting in k pos dp11 12 etc figure 21 shows the imr

single dynamic positioning system k pos dp kongsberg - Apr 01 2023

web k pos dp 12 dynamic positioning dp system the dp 12 is designed for integration with k chief marine automation system and k thrust thruster control system via a dual ethernet lan integrating all the functions for monitoring and control of a vessel provides a real benefit both technically and economically

sdp 21 manual cdn writermag com - Jun 22 2022

web sdp 21 manual 3 3 motor cycling and motoring oxford university press although blood transfusion saves lives and reduces morbidities in many clinical diseases and conditions it is associated with certain risks a transfusion related adverse event also called transfusion reaction is any unfavourable event occurring in a

sdp 21 manual pdf id startup network - May 22 2022

web sdp 21 manual pdf 1 3 downloaded from id startup network on january 20 2023 by guest sdp 21 manual pdf right here we have countless book sdp 21 manual pdf and collections to check out we additionally give variant types and as a consequence type of the books to browse the enjoyable book fiction history novel scientific

operator reference manual ecdis kongsberg ref 6 2 - Feb 28 2023

web download operator reference manual ecdis kongsberg ref 6 2 pdf for free report operator reference manual ecdis kongsberg ref 6 2 please fill this form we will try to respond as soon as possible

sdp 21 k pos kongsberg - Oct 07 2023

web technical specifications what to do standards applied remove the original computers and monitors from the upgrade is designed to conform to the following the oss standard remove the original operator panels from the oss en 60945 marine

navigation and radio install mp7600 computers communication equipment and systems general

kongsberg sdp 21 manual yunqian info - Mar 20 2022

web add the manuals search extension and never lose a manual again information storage and access carpet cleaner manuals acura mdx 2007 service repair manual pdf kongsberg sdp 21 manual buderus gb162 80 installation manual epson stylus pro xl manual abb safering manual e34 service manual pdf pioneer vsx d810s manual

sdp 21 manual jetpack theaoi - Jul 24 2022

web sdp 21 manual lg get product support for the lg gs65sdp1 download gs65sdp1 manuals documents and software view gs65sdp1 warranty information and schedule services yalmip a toolbox for modeling and optimization in matlab this paper does not sene as a manual to yalmip sdp 21 manual if searching for a ebook sdp 21 manual

sdp21 operator manual russian pdf menu computing - Jun 03 2023

web sdp21 operator manual russian free ebook download as pdf file pdf text file txt or read book online for free

math puzzle trick what is your answer ask your friend - Aug 28 2022

web math puzzle trick what is your answer ask you friend mathgame respect short math iq test only for genius math bring test ytshort mathgame math

27 super fun maths puzzles for kids with answers momjunction - Nov 30 2022

web jul 14 2023 explanation according to the clues given the sum of two triangles is 6 so each triangle s value is 3 the sum of a triangle and a circle is 4 since the triangle s value is 3 the value of the circle is 1 similarly the value of the square is 7 and the rhombus is 3 so by adding the values of the shapes we will get the above answers

maths puzzles 01 youtube - Jul 27 2022

web click over here to know the answer sites google com view mathsforgenus home

primary 1 math worksheets and test papers raffles guru - May 25 2022

web primary 1 grade 1 download top school maths exam papers in pdf download 2009 primary 1 sa1 exam papers grade 1a placement tests raffles girls school download 2008 primary 1 sa1 exam papers grade 1a placement tests red swastika school catholic high school

math puzzles pg 01 - Feb 19 2022

web oct 4 2023 math puzzles pg 01 the math forum national council of teachers of mathematics do factorials really grow faster than exponential functions pj masks 46 pieces floor puzzle amazon com printable word search puzzles sam loyd wikipedia mrs jones free worksheets and printables online google printable crossword puzzles

[free math puzzles mashup math](#) - Aug 08 2023

web free math puzzles for all grade levels sharing these fun puzzles with your kids is a great way to get them thinking

mathematically and solving problems in a fun and engaging way try these free puzzles with your kids today do you want the latest free math puzzles for all grade levels in your inbox every week

math puzzles pg 01 liululu - Oct 30 2022

web math puzzles pg 01 this is not a website where people just give you answers to your homework however many people would be happy to help you understand a problem that you might be having

fun games for kids skill games math playground - Jul 07 2023

web red block returns zero numbers logic steps sum blocks overlap sums sum stacks puzzles skill games adventure racing and more at math playground

super math puzzles math puzzles math playground - Mar 03 2023

web super math puzzles is a fun collection of number challenges for grades 1 to 6

puzzle playground clever fun for everyone - Sep 28 2022

web puzzle playground is a fun games site for children of all ages enjoy puzzles logic games strategy games adventure games and more puzzle playground is clever fun for everyone

math puzzles printable math salamanders - Jun 06 2023

web welcome to the math salamanders math puzzles printable resource pages here you will find a range of different math puzzle worksheets math riddles and challenges to help you learn to apply your math facts to solve a range of puzzles and problems

one liner math playground - May 05 2023

web play one liner at math playground advertisement trace the shape without lifting your finger or mouse how many levels can you complete 3rd grade games 4th grade games 5th grade games 6th grade games thinking blocks puzzle playground math games addition games subtraction games multiplication games division games

math puzzles pg 01 uniport edu ng - Apr 23 2022

web jun 25 2023 merely said the math puzzles pg 01 is universally compatible with any devices to read logic puzzles 1 mental arithmetic number puzzles and other games 230 puzzle grids and dozens of other fun activities christopher morgan 2021 11 08 logic puzzles 1 is a fun an engaging way to learn and practice mental arithmetic skills each

level 1 math free online math games math playground - Jan 01 2023

web 1st grade math games for free addition subtraction place value and logic games that boost first grade math skills

math and logic puzzles math is fun - Oct 10 2023

web math and logic puzzles if you really like exercising your brain figuring things round and round till you explode then this is the page for you whosoever shall solve these puzzles shall rule the universe or at least they should starter puzzles puzzle

games measuring puzzles symmetry jigsaw puzzles logic puzzles sam loyd

math puzzles pg 01 helpdesk bricksave com - Jun 25 2022

web math puzzles pg 01 3 3 proofs twenty of these icons of mathematics are presented in this book where the authors explore the mathematics within them and the mathematics that can be created from them a chapter is devoted to

math is fun - Feb 02 2023

web apr 19 2010 mathematics is commonly called math in the us and maths in the uk math explained in easy language plus puzzles games worksheets and an illustrated dictionary for k 12 kids teachers and parents

20 best math puzzles to engage and challenge your students - Apr 04 2023

web jul 17 2023 math puzzles are one of the best and oldest ways to encourage student engagement brain teasers logic puzzles and math riddles give students challenges that encourage problem solving and logical thinking they can be used in classroom gamification and to inspire students to tackle problems they might have previously seen

math games math playground fun for kids - Sep 09 2023

web free online math games and more at mathplayground com problem solving logic games and number puzzles kids love to play

maths puzzles tricks what is your answer ask your youtube - Mar 23 2022

web maths puzzles tricks what is your answer ask your friends mathgame viral reels puzzles m yt