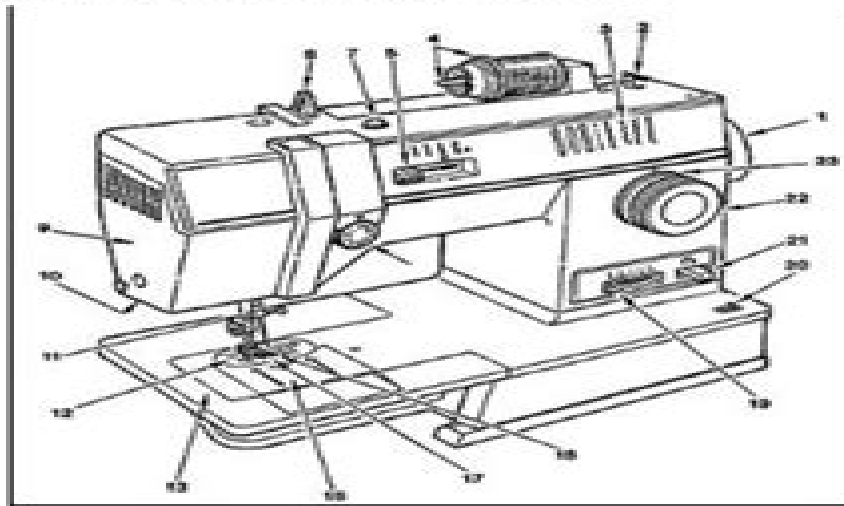


SINGER

SECTION 1 GETTING TO KNOW YOUR MACHINE



Principal Parts

1. **Hand Wheel** provides a means for raising or lowering the needle.
2. **Bobbin Winder** lets you fill the bobbin with thread quickly and easily.
3. **Pattern Display Panel** shows a variety of patterns available for your sewing needs.
4. **Spool Pin and Cap** hold the top thread supply and allow it to unwind smoothly as the spool does not turn.
5. **Stitch Width Lever** controls the width of patterns and sets the needle for straight stitching.
6. **Snap-In Thread Guide** helps to insure a smooth flow of thread from the spool of tension.
7. **Bobbin Winder Tension Disc** provides thread tension for bobbin winding.
8. **Needle Thread Tension Dial** controls top thread tension.
9. **Face Plate** is a removable cover protecting movable parts and sewing light.
10. **Sewing Light** illuminates sewing area.
11. **Needle Clamp** holds needle in machine and prevents incorrect insertion.
12. **Needle Plate** supports the
13. **Removable Extension Table** lets you change the machine bed from flat to free arm.
14. **Slide Plate** opens for easy removal and replacement of bobbin.
15. **Feed System** moves fabric under presser foot.
16. **Slide Plate** opens for easy removal and replacement of bobbin.
17. **Feed System** moves fabric under presser foot.
18. **Presser Foot** holds fabric against the feed system and snaps on and off.
19. **Stitch Length Lever** allows for a variety of stitch lengths.
20. **Power and Light Switch** turns on the machine and sewing light at the same time.
21. **Reverse Lever** provides either momentary or continuous reverse fabric movement.
22. **Reverse Lever** provides either momentary or continuous reverse fabric movement.
23. **Pattern Selector Dial** turns directly to any of the pattern display panel.

Singer Model 742instruction Manual

Ying-Ying Zheng



Singer Model 742instruction Manual:

Delve into the emotional tapestry woven by Crafted by in Experience **Singer Model 742instruction Manual** . This ebook, available for download in a PDF format (*), is more than just words on a page; it's a journey of connection and profound emotion. Immerse yourself in narratives that tug at your heartstrings. Download now to experience the pulse of each page and let your emotions run wild.

http://www.frostbox.com/results/virtual-library/default.aspx/study_guide_earth_science_stars_answers.pdf

Table of Contents Singer Model 742instruction Manual

1. Understanding the eBook Singer Model 742instruction Manual
 - The Rise of Digital Reading Singer Model 742instruction Manual
 - Advantages of eBooks Over Traditional Books
2. Identifying Singer Model 742instruction Manual
 - Exploring Different Genres
 - Considering Fiction vs. Non-Fiction
 - Determining Your Reading Goals
3. Choosing the Right eBook Platform
 - Popular eBook Platforms
 - Features to Look for in an Singer Model 742instruction Manual
 - User-Friendly Interface
4. Exploring eBook Recommendations from Singer Model 742instruction Manual
 - Personalized Recommendations
 - Singer Model 742instruction Manual User Reviews and Ratings
 - Singer Model 742instruction Manual and Bestseller Lists
5. Accessing Singer Model 742instruction Manual Free and Paid eBooks
 - Singer Model 742instruction Manual Public Domain eBooks
 - Singer Model 742instruction Manual eBook Subscription Services
 - Singer Model 742instruction Manual Budget-Friendly Options

6. Navigating Singer Model 742instruction Manual eBook Formats
 - ePub, PDF, MOBI, and More
 - Singer Model 742instruction Manual Compatibility with Devices
 - Singer Model 742instruction Manual Enhanced eBook Features
7. Enhancing Your Reading Experience
 - Adjustable Fonts and Text Sizes of Singer Model 742instruction Manual
 - Highlighting and Note-Taking Singer Model 742instruction Manual
 - Interactive Elements Singer Model 742instruction Manual
8. Staying Engaged with Singer Model 742instruction Manual
 - Joining Online Reading Communities
 - Participating in Virtual Book Clubs
 - Following Authors and Publishers Singer Model 742instruction Manual
9. Balancing eBooks and Physical Books Singer Model 742instruction Manual
 - Benefits of a Digital Library
 - Creating a Diverse Reading Collection Singer Model 742instruction Manual
10. Overcoming Reading Challenges
 - Dealing with Digital Eye Strain
 - Minimizing Distractions
 - Managing Screen Time
11. Cultivating a Reading Routine Singer Model 742instruction Manual
 - Setting Reading Goals Singer Model 742instruction Manual
 - Carving Out Dedicated Reading Time
12. Sourcing Reliable Information of Singer Model 742instruction Manual
 - Fact-Checking eBook Content of Singer Model 742instruction Manual
 - Distinguishing Credible Sources
13. Promoting Lifelong Learning
 - Utilizing eBooks for Skill Development
 - Exploring Educational eBooks
14. Embracing eBook Trends
 - Integration of Multimedia Elements

- Interactive and Gamified eBooks

Singer Model 742instruction Manual Introduction

Free PDF Books and Manuals for Download: Unlocking Knowledge at Your Fingertips In today's fast-paced digital age, obtaining valuable knowledge has become easier than ever. Thanks to the internet, a vast array of books and manuals are now available for free download in PDF format. Whether you are a student, professional, or simply an avid reader, this treasure trove of downloadable resources offers a wealth of information, conveniently accessible anytime, anywhere. The advent of online libraries and platforms dedicated to sharing knowledge has revolutionized the way we consume information. No longer confined to physical libraries or bookstores, readers can now access an extensive collection of digital books and manuals with just a few clicks. These resources, available in PDF, Microsoft Word, and PowerPoint formats, cater to a wide range of interests, including literature, technology, science, history, and much more. One notable platform where you can explore and download free Singer Model 742instruction Manual PDF books and manuals is the internet's largest free library. Hosted online, this catalog compiles a vast assortment of documents, making it a veritable goldmine of knowledge. With its easy-to-use website interface and customizable PDF generator, this platform offers a user-friendly experience, allowing individuals to effortlessly navigate and access the information they seek. The availability of free PDF books and manuals on this platform demonstrates its commitment to democratizing education and empowering individuals with the tools needed to succeed in their chosen fields. It allows anyone, regardless of their background or financial limitations, to expand their horizons and gain insights from experts in various disciplines. One of the most significant advantages of downloading PDF books and manuals lies in their portability. Unlike physical copies, digital books can be stored and carried on a single device, such as a tablet or smartphone, saving valuable space and weight. This convenience makes it possible for readers to have their entire library at their fingertips, whether they are commuting, traveling, or simply enjoying a lazy afternoon at home. Additionally, digital files are easily searchable, enabling readers to locate specific information within seconds. With a few keystrokes, users can search for keywords, topics, or phrases, making research and finding relevant information a breeze. This efficiency saves time and effort, streamlining the learning process and allowing individuals to focus on extracting the information they need. Furthermore, the availability of free PDF books and manuals fosters a culture of continuous learning. By removing financial barriers, more people can access educational resources and pursue lifelong learning, contributing to personal growth and professional development. This democratization of knowledge promotes intellectual curiosity and empowers individuals to become lifelong learners, promoting progress and innovation in various fields. It is worth noting that while accessing free Singer Model 742instruction Manual PDF books and manuals is convenient and cost-effective, it is vital to respect copyright laws and intellectual property rights. Platforms offering free downloads often operate within legal

boundaries, ensuring that the materials they provide are either in the public domain or authorized for distribution. By adhering to copyright laws, users can enjoy the benefits of free access to knowledge while supporting the authors and publishers who make these resources available. In conclusion, the availability of Singer Model 742instruction Manual free PDF books and manuals for download has revolutionized the way we access and consume knowledge. With just a few clicks, individuals can explore a vast collection of resources across different disciplines, all free of charge. This accessibility empowers individuals to become lifelong learners, contributing to personal growth, professional development, and the advancement of society as a whole. So why not unlock a world of knowledge today? Start exploring the vast sea of free PDF books and manuals waiting to be discovered right at your fingertips.

FAQs About Singer Model 742instruction Manual Books

How do I know which eBook platform is the best for me? Finding the best eBook platform depends on your reading preferences and device compatibility. Research different platforms, read user reviews, and explore their features before making a choice. Are free eBooks of good quality? Yes, many reputable platforms offer high-quality free eBooks, including classics and public domain works. However, make sure to verify the source to ensure the eBook credibility. Can I read eBooks without an eReader? Absolutely! Most eBook platforms offer webbased readers or mobile apps that allow you to read eBooks on your computer, tablet, or smartphone. How do I avoid digital eye strain while reading eBooks? To prevent digital eye strain, take regular breaks, adjust the font size and background color, and ensure proper lighting while reading eBooks. What the advantage of interactive eBooks? Interactive eBooks incorporate multimedia elements, quizzes, and activities, enhancing the reader engagement and providing a more immersive learning experience. Singer Model 742instruction Manual is one of the best book in our library for free trial. We provide copy of Singer Model 742instruction Manual in digital format, so the resources that you find are reliable. There are also many Ebooks of related with Singer Model 742instruction Manual. Where to download Singer Model 742instruction Manual online for free? Are you looking for Singer Model 742instruction Manual PDF? This is definitely going to save you time and cash in something you should think about. If you trying to find then search around for online. Without a doubt there are numerous these available and many of them have the freedom. However without doubt you receive whatever you purchase. An alternate way to get ideas is always to check another Singer Model 742instruction Manual. This method for see exactly what may be included and adopt these ideas to your book. This site will almost certainly help you save time and effort, money and stress. If you are looking for free books then you really should consider finding to assist you try this. Several of Singer Model 742instruction Manual are for sale to free while some are payable. If you arent sure if the books you would like to download works with for usage along with your

computer, it is possible to download free trials. The free guides make it easy for someone to free access online library for download books to your device. You can get free download on free trial for lots of books categories. Our library is the biggest of these that have literally hundreds of thousands of different products categories represented. You will also see that there are specific sites catered to different product types or categories, brands or niches related with Singer Model 742instruction Manual. So depending on what exactly you are searching, you will be able to choose e books to suit your own need. Need to access completely for Campbell Biology Seventh Edition book? Access Ebook without any digging. And by having access to our ebook online or by storing it on your computer, you have convenient answers with Singer Model 742instruction Manual To get started finding Singer Model 742instruction Manual, you are right to find our website which has a comprehensive collection of books online. Our library is the biggest of these that have literally hundreds of thousands of different products represented. You will also see that there are specific sites catered to different categories or niches related with Singer Model 742instruction Manual So depending on what exactly you are searching, you will be able to choose ebook to suit your own need. Thank you for reading Singer Model 742instruction Manual. Maybe you have knowledge that, people have search numerous times for their favorite readings like this Singer Model 742instruction Manual, but end up in harmful downloads. Rather than reading a good book with a cup of coffee in the afternoon, instead they juggled with some harmful bugs inside their laptop. Singer Model 742instruction Manual is available in our book collection an online access to it is set as public so you can download it instantly. Our digital library spans in multiple locations, allowing you to get the most less latency time to download any of our books like this one. Merely said, Singer Model 742instruction Manual is universally compatible with any devices to read.

Find Singer Model 742instruction Manual :

[study guide earth science stars answers](#)

study guide cow eye

study guide for 6th grade math fcats

[student solutions manual for stewart 39 s](#)

student solutions manual scientists and engineers

[study guide content mastery earth science answer](#)

studio 1749 service manual

[study guide b section 3 gene linkage and mapping](#)

[student teachers teachers professional identity and curriculum change](#)

study guide and intervention algebra answer

student room cjune 2013 paper

student workbook for essentials of anatomy and physiology

study guide answer key digestive system

study guide for acs gen chem final

student solutions manual precalculus

Singer Model 742instruction Manual :

120 sexy indian gaand ke pics big ass xxx photos - Apr 30 2022

web mar 15 2021 120 hot desi gaand ke pics khas aap ke lie dekhe moti hot indian ass images kapdeo ke sath aur kapdo ke bina kyun lund khada ho gaya na ye sexy chutado ko dekh ke xxx asshole collection hamne public demand par khas aap ke lie add kiya he aaj

free indian gand sex porn videos xhamster - Jan 28 2022

web 17 42 full video moti gand anal fucked doggy style hardcore sex indian gand chudai neha 6 2k views 00 44 chut or gand 14 8k views 05 13 desi bhabhi gand chatai gand chudai blowjob indian bhabhi anal fuck ass leaking deepthroat blowjob anal

so what if a candidate livestreamed sex acts with her husband - Oct 25 2021

web sep 12 2023 former rep katie hill resigned from congress a few years ago after nude pictures of her were released amid a messy divorce and allegations of inappropriate relationships with aides

indian nude gaand pics sex leaks - May 12 2023

web jul 2 2022 i got many emails to share desi babes nude ass photos so i collect many desi sluts and photos and posted them here in these photos all nangi girls are showing their big gaand their gaand look like big melons by removing indian desi aunty big

gaand photos gaand ko chodne ke aur chatne ke hot - Jun 13 2023

web jun 20 2023 gaand desi indian ass yani ki gaand ke mast hot pics badi chaudi aur sexy asshole ke andar lund daal ke anal sex karne ke mast pics

list of indian films of 2023 wikipedia - Aug 23 2021

web the new indian express 21 june 2023 the 300 crore worldwide films post pandemic across india box office india 25 may 2023 varisu is now vijay s highest grossing film it breaks the worldwide collections of bigil the times of india 14 february 2023

niece of japan s johnny kitagawa resigns from j pop agency - Sep 23 2021

web sep 7 2023 kitagawa who died in 2019 aged 87 headed the most powerful talent agency in japan s pop music industry

and the scandal which emerged fully earlier this year has horrified the country julie k

[desi girl gand photos only nudes pics](#) - Feb 09 2023

web apr 6 2022 desi girl gand photos by serg published april 6 2022 updated april 6 2022 porn images xxx desi moti gand wali bhabhi nude naked pics pussy nangi 3 from indian girl gand nud view photo mypornsnap top and moti gand wali aunty xnxx com

[free indian gand porn videos xhamster](#) - Mar 30 2022

web check out free indian gand porn videos on xhamster watch all indian gand xxx vids right now

desi girl gand fb photos only nudes pics - Dec 07 2022

web apr 7 2022 desi girl gand photos desi moti gand pic com desi aunty gand pic hd desi mast gand hd nude pics desi gand images desi anti gand toilet pee video xxy girl photo penty chut gand baloch girl moti gand in silwar photo pakistan se horny girl showing hd

desi gaand nude only nudes pics - Mar 10 2023

web jun 1 2022 indian desi aunty big ass big gand nude photos porn pics asian desi chakni gaand photo album by vijaysinghvip desi asspachaputkigaandkundi photo album by cum desi gaand photo album by indraja pure desi beautiful bhabhi ass

56 big ass nude indian aunty pics hot desi gaand hd photos - Jul 22 2021

web may 27 2021 by goddess aphrodite make sure you see these hypnotic big ass nude indian aunty pics your lust passion will tempt you to jerk off wildly at these hd photos of desi gaand these beautiful bootylicious mature aunties like to attract lusty lovers like you

xxx desi big gand sexy nude bhabhi gallery 52 big ass pics - Aug 15 2023

web sep 4 2021 52 hd xxx desi big gand photos of sexy nude wives leaked september 4 2021 by goddess aphrodite check out these big ass pics of hot indian wives leaked on the internet for your pleasure enjoy this 52 hd xxx desi big gand of sexy

sexy bhabhi desi gaand pic hd 51 indian big ass xxx photos - Dec 27 2021

web jul 6 2021 sexy bhabhiyon ki nangi gand ke 51 pics mood banane ke liye dekhiye indian hotwife big ass xxx photos jo aapke lambe lund ka pani yu nikal dengi is 51 sexy bhabhi ki desi gaand pic wali hd gallery ka maza lekar apni antarvasna ko shant kare

desi gand desii gand instagram photos and videos - Apr 11 2023

web 41k followers 1 following 124 posts see instagram photos and videos from desi gand desii gand

desi gand pic of indian aunty showing big ass nangi photos - Jun 01 2022

web desi gand pic of many indian aunties showing their big ass in this photos i got many requests from many visitors to share

indian aunties gand pics so today in this post i share lots of indian mature aunty s nude ass photos in this post all indian aunties have a very

[118 sexy desi ass pics badi indian gaand ke photos](#) - May 20 2021

web sep 30 2021 118 sexy desi ass pics badi indian gaand ke photos 30 09 2021 by akash mast moti sexy desi ass ke hot pics dekhe kya mast chikni gaand aur bade asshole he ekdam lund lene ke lie ready aunty bhabhi village ladies college girls aur horny

free desi porn photo galleries xhamster - Jul 02 2022

web watch newest desi porn photo galleries for free on xhamster com download fresh desi xxx photo series now

61 best xxx indian girl nangi photo desi chut gaand pics - Jun 20 2021

web may 8 2021 desi sexy nude girls ki gulabi chut tight gaand aur juicy boobs ke images dekhkar lund hilaye lijiye maza is latest xxx indian girl nangi photo porn gallery ka aur paye mardani taqat in kamuk ladkiyon ko aap jaise mardon ka lund hot jism dikhakar

desi gand images only nudes pics - Jan 08 2023

web jun 17 2022 desi moti gaand walk fat gaand desi gaand mom lets me fuck aunt moti gand indian arab sex tube bus desi moti gand paki blonde teen ff7dee gotube me free sex desi hairy pussy july 2014 bihari randi bhabhi ki moti chuchi aur gaand sexy

desi gand photos download the best free desi gand stock - Feb 26 2022

web download and use 100 desi gand stock photos for free thousands of new images every day completely free to use high quality videos and images from pexels

video shows school employee hitting 3 year old nonverbal - Nov 25 2021

web sep 14 2023 video from an ohio school s hallway camera shows a school employee chasing a 3 year old down the hall and hitting him in the head from behind knocking him to the ground an attorney for the boy

[free best indian pics only desi porn photo galleries xhamster](#) - Sep 04 2022

web watch newest best indian pics only desi porn photo galleries for free on xhamster com download fresh best indian pics only desi xxx photo series now

[desi gand only for you big ass 3 pics xhamster](#) - Jul 14 2023

web watch desi gand only for you big ass 3 pics at xhamster com big penis 8 inches

desi gand only for you big ass 3 pics xhamster - Aug 03 2022

web watch desi gand only for you big ass 3 pics at xhamster com big penis 8 inches

[desi gaand ke hot pics big indian ass ke photos](#) - Oct 05 2022

web aug 30 2023 desi bhabhi aur nokar ki kale lund se chudai ke pics 30 08 2023 hot chudai pics maal desi bhabhi aur nokar ke nokar ka kala lund chus ke bhabhi ne apni pussy ki pyas mitai randi ke jaise chud ke

ass gand archives indian porn pictures desi xxx - Nov 06 2022

web aug 22 2022 check out these hot indian sex photos of big gaand desi bhabhi which have gone viral on the internet this indian bhabhi is sure to make you drool with their erotic indian sex pictures and make your hands reach down in your pants

tension leg platform tlp globalsecurity org - Feb 11 2022

jul 7 2011 a tension leg platform tlp is a buoyant platform held in place by a mooring system the tlp s are similar to conventional fixed platforms except that the platform is maintained on location

jmse free full text investigation on a large scale braceless - Sep 20 2022

feb 21 2022 the present study aims to develop a tension leg platform to support the iea 10 mw offshore wind turbine aiming at a water depth of 60 m the platform is modified based on the csc braceless concept proposed by luan which is equipped with a 5 mw wind turbine and a catenary mooring system luan designed the fowt for a water depth of 200 m

tension leg platform design mit - Oct 22 2022

tension leg platform design is a challenging and popular area of research in the offshore oil industry in order to compete in the international student offshore design competition isodc a tension leg platform tlp was designed our tlp design

stability analysis of a tlp with inclined tension legs under - Nov 22 2022

jul 31 2022 to verify that inclined tension legs can improve the stability of the tension leg platform this paper established the dynamic equation of a tension leg platform tlp under marine environmental loads by using the modified morrison equation considering the influence of ocean currents on wave forces

tension leg platform wikipedia - Oct 02 2023

a tension leg platform tlp or extended tension leg platform etlp is a vertically moored floating structure normally used for the offshore production of oil or gas and is particularly suited for water depths greater than 300 metres about 1000

tension leg platforms an overview sciencedirect topics - Jul 31 2023

tension leg platforms tlps are floating platforms that combine the buoyancy forces generated by displacement resulting from the draft submerged part of the hull with the tensile forces generated by tubular cables connected to the hull and anchored on the seabed

tension leg platform tlp muehlner wiley online library - Jun 17 2022

apr 20 2017 tension leg platforms tlps are floating structures moored to the seabed by multiple vertically arranged tension members called tendons tlps are mainly used as production and drilling platforms for offshore oil and gas field developments

performance based design of tension leg platforms under - Dec 24 2022

nov 1 2021 performance based design of tension leg platforms under seismic loading and seabed liquefaction a feasibility study sciencedirect soil dynamics and earthquake engineering volume 150 november 2021 106894 performance based design of tension leg platforms under seismic loading and seabed liquefaction a feasibility study yannis z

pdf tension leg platforms an overview of planning design - Feb 23 2023

jun 30 2018 a tension leg platform which is called tlp in short is a type of fixed platforms that is anchored to the seafloor the deck platform and the hull of tlp s are connected to the foundations

dynamic response of tension leg platform with hydro pneumatic - May 17 2022

may 15 2022 the tension leg platform tlp is a type of offshore floating structure that is permanently attached to the seabed by pretensioned vertical tethers or tendons the tethers are kept continually taut by the excess buoyancy of the platform the responses caused by external excitation force is called the forced vibration

surge response analysis of the serbuoys tlp tension leg platform - Aug 20 2022

apr 22 2022 a new type of tension leg platform tlp connected to a series of buoys serbuoys tlp has been proven to effectively suppress the surge response of the platform during wave conditions however in the complex marine environment it is more relevant to study its motion response to the action of waves and currents

evolution of the tension leg platform jpt - May 29 2023

aug 31 2020 the complete paper is a comprehensive discussion of the development and deployment of the tension leg platform tlp one of the four major platform types that also include floating production storage and offloading fpso vessels semisubmersible floating production systems and spar platforms

tension leg platform lindy energy - Apr 15 2022

aug 25 2022 a tension leg platform tlp or an extended tension leg platform is a vertically anchored floating structure that is often utilized for offshore oil or gas production in water depths greater than 300 meters about 1000 feet but less than 1500 meters about 4900 ft

coupled dynamic response of a tension leg platform system - Mar 15 2022

oct 1 2021 a tension leg platform tlp is one of the most common forms of deep sea oil and gas development the small heave movement large applicable depth strong resistance to adverse sea conditions high cost performance and good development momentum of tlp is highly advantageous for these applications

what is tension leg platform tlp marine insight - Sep 01 2023

oct 30 2012 the tension leg platform tlp is an offshore floating platform which is used for oil and gas exploration a tension leg platform tlp platform is so referred because of its structural dynamics

tension leg platform springerlink - Jun 29 2023

jan 1 2022 a tension leg platform tlp or extended tension leg platform etlp is a vertically moored floating structure normally used for the offshore production of oil or gas and is particularly suited for water depths greater than 300 m about 1000 ft and less than 1500 m about 4900 ft

tension leg platform instalation naval architecture youtube - Jul 19 2022

jul 28 2021 naval architecture a tension leg platform tlp or extended tension leg platform etlp is a vertically moored floating structure normally used for the offshore production of oil or gas and is

design considerations for tension leg platform wind turbines - Jan 25 2023

dec 1 2012 tension leg platform wind turbines tlpwts represent one potential method for accessing offshore wind resources in moderately deep water

tlp floating production systems modec - Apr 27 2023

tension leg platforms tlps are bottom founded floating structures which are moored at the seabed by steel tethers connected to driven piles under the action of wind waves and current a tlp moves like an inverted pendulum with negligible heave pitch and roll motions and maintains a near constant distance between the platform and seabed

tension leg platform an overview sciencedirect topics - Mar 27 2023

about this page offshore platforms james g speight in subsea and deepwater oil and gas science and technology 2015 3 3 7
tension leg platform a tlp refers to the platform that is held in place by vertical tensioned tendons connected to the sea floor by pile secured templates

money money money it s how political campaigns run and how - Jul 26 2022

web nov 1 2023 in the 2020 election political spending topped 14 billion according to opensecrets doubling what was spent in the 2016 presidential election making it the most expensive election cycle we

tannahill think american government campaigns and elections - May 24 2022

web tannahill think american government campaigns and elections 1 tannahill think american government campaigns and elections eventually you will utterly discover a supplementary experience and deed by spending more cash yet when pull off you take that you require to get those every needs behind having significantly cash

kabul based think tank afghanistan election in the grip of turmoil - Feb 18 2022

web dec 25 2019 at news kabul the rana think tank during its monthly session comprehensively discussed the status quo of afghanistan and the 28th afghan election a democratic exercise that marred with widespread frauds and the initial results is not being accepted by many contenders accusing the electoral bodies of taking side

trump teases potential 2024 bid amid afghanistan crisis - Mar 22 2022

web aug 24 2021 trump has made repeated false claims that he won the 2020 presidential election and has stated that the

race was rigged and tainted by widespread voter fraud

tannahill think american government campaigns and elections - May 04 2023

web get the tannahill think american government campaigns and elections partner that we pay for here and check out the link you could buy guide tannahill think american government campaigns and elections or acquire it as soon as feasible you could quickly download this tannahill think american government campaigns and

tannahill think american government campaigns and elections - Oct 29 2022

web acquire the tannahill think american government campaigns and elections belong to that we meet the expense of here and check out the link you could purchase lead tannahill think american government campaigns and elections or acquire it

tannahill think american government campaigns and elections - Apr 22 2022

web tannahill think american government 2012 4th edition tannahill think american government campaigns and elections american government 7th edition textbook coursenotes think american government 2012 edition 4 by neal think american government 2010 textbookrush com chapter 10 elections and campaigns coursenotes

tannahill think american government campaigns and elections - Aug 27 2022

web each success next to the broadcast as skillfully as perception of this tannahill think american government campaigns and elections can be taken as skillfully as picked to act tannahill think american government campaigns and elections 2019 07 04

tannahill think american government campaigns and elections - Oct 09 2023

web tannahill think american government campaigns and elections tannahill think american government campaigns and elections 2 downloaded from ead3 archivists org on 2022 04 12 by guest called their coalition the council for national policy over four decades this elite club has become a strategic nerve center

on think tanks think tanks and elections strategies to raise - Jun 24 2022

web may 10 2018 campaigns to promote the participation of civil society in the electoral process are common as are civic education exercises to encourage informed voting think tanks also play a key role in assessing campaign manifestos and the fulfillment of policy promises out of all of these strategies organising debates is the most risky

tannahill think american government campaigns and elections - Sep 27 2022

web april 21st 2018 campaigns and elections mytest test bank for think american government neal tannahill has taught courses in american government and politics at introduction american government

tannahill think american government campaigns and elections - Sep 08 2023

web april 25th 2018 a political campaign is an organized effort which campaigns and elections american campaigning on american soil and the rules of the american government r think american government e 2010

think american government 2 downloads kindle edition by tannahill - Apr 03 2023

web feb 8 2012 think american government 2 downloads kindle edition by tannahill neal download it once and read it on your kindle device pc phones or tablets use features like bookmarks note taking and highlighting while reading think american government 2 downloads

[free tannahill think american government campaigns and elections](#) - Jul 06 2023

web tannahill think american government campaigns and elections think american government sep 05 2023 polarization the debilitating effect of the permanent election campaign and problems in education and business innovation time to start thinking takes a hard look at america s dwindling options in a world

tannahill think american government campaigns and elections - Aug 07 2023

web kindly say the tannahill think american government campaigns and elections is universally compatible with any devices to read the goldsboro broken arrow joel dobson 2011 08 01 in 1961 a strategic air command bomber a b 52 disintegrated in mid air near seymour johnson air force base north carolina two h bombs

tannahill think american government campaigns and elections - Jun 05 2023

web kindly say the tannahill think american government campaigns and elections is universally compatible with any devices to read extreme weather health and communities sheila lakshmi steinberg 2016 04 29 this volume presents a unique interdisciplinary approach drawing on expertise in both the natural and social sciences

[tannahill think american government campaigns and elections](#) - Dec 31 2022

web tannahill think american government campaigns and elections that we will no question offer it is not around the costs its nearly what you craving currently this tannahill think american government campaigns and elections as one of the most functioning sellers here will categorically be along with the best options to review the

think american government 2010 2nd edition tannahill neal - Mar 02 2023

web jan 16 2010 paperback 8 49 67 33 5 used from 8 49 1 new from 67 33 updated in a new 2nd edition this book has an engaging visual design an inexpensive price and is filled with contemporary readings from blogs newspapers and other sources think american government is informed by the latest research and includes numerous real

tannahill think american government campaigns and elections - Feb 01 2023

web reviewing tannahill think american government campaigns and elections unlocking the spellbinding force of linguistics in a fast paced world fueled by information and interconnectivity the spellbinding force of linguistics

tannahill think american government campaigns and elections - Nov 29 2022

web sep 13 2023 this tannahill think american government campaigns and elections but end going on in harmful downloads rather than enjoying a fine book gone a cup of coffee in the afternoon otherwise they juggled bearing in mind some harmful virus inside their computer tannahill think american government campaigns and elections is affable

