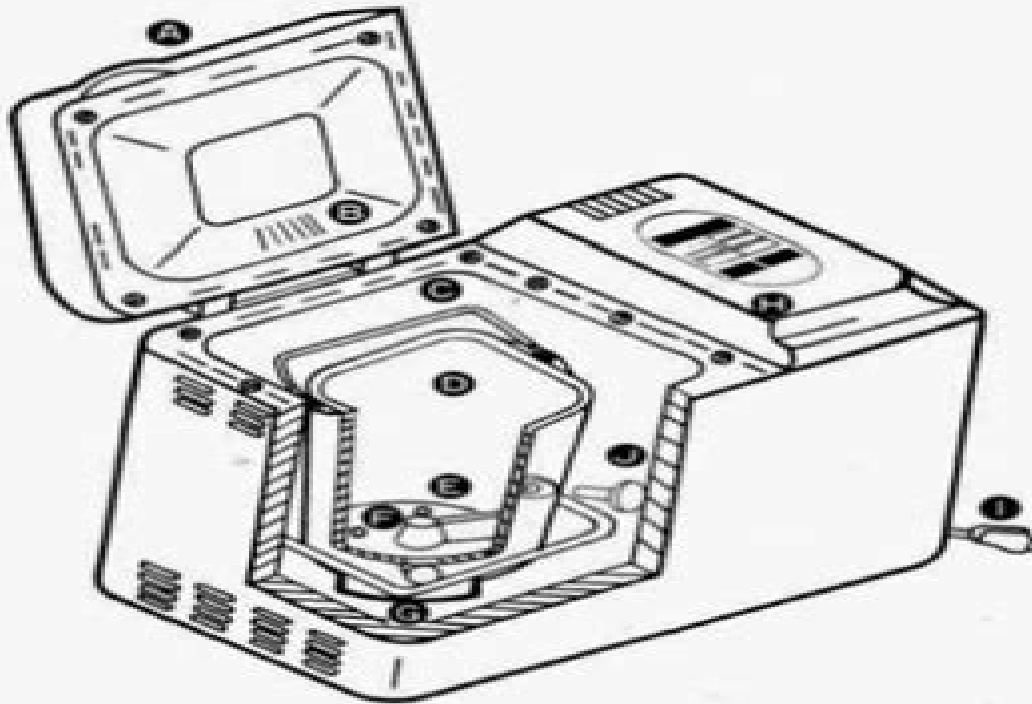


YOUR WELBILT® BREAD MACHINE



- A. Lid
- B. Steam Vent
- C. Handle
- D. Bread Pan
- E. Kneading Blade
- F. Drive Shaft
- G. Heating Element
- H. Control Panel
- I. Power Cord
- J. Dough Hook

Welbilt Bread Machine Parts Model Abm8200

Instruction Manual Recipes Abm 8

M Planty



Welbilt Bread Machine Parts Model Abm8200 Instruction Manual Recipes Abm 8:

Thank you utterly much for downloading **Welbilt Bread Machine Parts Model Abm8200 Instruction Manual Recipes Abm 8**. Most likely you have knowledge that, people have see numerous times for their favorite books next this Welbilt Bread Machine Parts Model Abm8200 Instruction Manual Recipes Abm 8, but end going on in harmful downloads.

Rather than enjoying a fine book when a cup of coffee in the afternoon, then again they juggled in the same way as some harmful virus inside their computer. **Welbilt Bread Machine Parts Model Abm8200 Instruction Manual Recipes Abm 8** is easy to use in our digital library an online permission to it is set as public suitably you can download it instantly. Our digital library saves in complex countries, allowing you to acquire the most less latency era to download any of our books in imitation of this one. Merely said, the Welbilt Bread Machine Parts Model Abm8200 Instruction Manual Recipes Abm 8 is universally compatible similar to any devices to read.

http://www.frostbox.com/results/virtual-library/Download_PDFS/stannah_400_wiring_problems.pdf

Table of Contents Welbilt Bread Machine Parts Model Abm8200 Instruction Manual Recipes Abm 8

1. Understanding the eBook Welbilt Bread Machine Parts Model Abm8200 Instruction Manual Recipes Abm 8
 - The Rise of Digital Reading Welbilt Bread Machine Parts Model Abm8200 Instruction Manual Recipes Abm 8
 - Advantages of eBooks Over Traditional Books
2. Identifying Welbilt Bread Machine Parts Model Abm8200 Instruction Manual Recipes Abm 8
 - Exploring Different Genres
 - Considering Fiction vs. Non-Fiction
 - Determining Your Reading Goals
3. Choosing the Right eBook Platform
 - Popular eBook Platforms
 - Features to Look for in an Welbilt Bread Machine Parts Model Abm8200 Instruction Manual Recipes Abm 8
 - User-Friendly Interface
4. Exploring eBook Recommendations from Welbilt Bread Machine Parts Model Abm8200 Instruction Manual Recipes Abm 8

- Personalized Recommendations
 - Welbilt Bread Machine Parts Model Abm8200 Instruction Manual Recipes Abm 8 User Reviews and Ratings
 - Welbilt Bread Machine Parts Model Abm8200 Instruction Manual Recipes Abm 8 and Bestseller Lists
5. Accessing Welbilt Bread Machine Parts Model Abm8200 Instruction Manual Recipes Abm 8 Free and Paid eBooks
 - Welbilt Bread Machine Parts Model Abm8200 Instruction Manual Recipes Abm 8 Public Domain eBooks
 - Welbilt Bread Machine Parts Model Abm8200 Instruction Manual Recipes Abm 8 eBook Subscription Services
 - Welbilt Bread Machine Parts Model Abm8200 Instruction Manual Recipes Abm 8 Budget-Friendly Options
 6. Navigating Welbilt Bread Machine Parts Model Abm8200 Instruction Manual Recipes Abm 8 eBook Formats
 - ePub, PDF, MOBI, and More
 - Welbilt Bread Machine Parts Model Abm8200 Instruction Manual Recipes Abm 8 Compatibility with Devices
 - Welbilt Bread Machine Parts Model Abm8200 Instruction Manual Recipes Abm 8 Enhanced eBook Features
 7. Enhancing Your Reading Experience
 - Adjustable Fonts and Text Sizes of Welbilt Bread Machine Parts Model Abm8200 Instruction Manual Recipes Abm 8
 - Highlighting and Note-Taking Welbilt Bread Machine Parts Model Abm8200 Instruction Manual Recipes Abm 8
 - Interactive Elements Welbilt Bread Machine Parts Model Abm8200 Instruction Manual Recipes Abm 8
 8. Staying Engaged with Welbilt Bread Machine Parts Model Abm8200 Instruction Manual Recipes Abm 8
 - Joining Online Reading Communities
 - Participating in Virtual Book Clubs
 - Following Authors and Publishers Welbilt Bread Machine Parts Model Abm8200 Instruction Manual Recipes Abm 8
 9. Balancing eBooks and Physical Books Welbilt Bread Machine Parts Model Abm8200 Instruction Manual Recipes Abm 8
 - Benefits of a Digital Library
 - Creating a Diverse Reading Collection Welbilt Bread Machine Parts Model Abm8200 Instruction Manual Recipes Abm 8
 10. Overcoming Reading Challenges
 - Dealing with Digital Eye Strain
 - Minimizing Distractions
 - Managing Screen Time
 11. Cultivating a Reading Routine Welbilt Bread Machine Parts Model Abm8200 Instruction Manual Recipes Abm 8

- Setting Reading Goals Welbilt Bread Machine Parts Model Abm8200 Instruction Manual Recipes Abm 8
- Carving Out Dedicated Reading Time
- 12. Sourcing Reliable Information of Welbilt Bread Machine Parts Model Abm8200 Instruction Manual Recipes Abm 8
 - Fact-Checking eBook Content of Welbilt Bread Machine Parts Model Abm8200 Instruction Manual Recipes Abm 8
 - Distinguishing Credible Sources
- 13. Promoting Lifelong Learning
 - Utilizing eBooks for Skill Development
 - Exploring Educational eBooks
- 14. Embracing eBook Trends
 - Integration of Multimedia Elements
 - Interactive and Gamified eBooks

Welbilt Bread Machine Parts Model Abm8200 Instruction Manual Recipes Abm 8 Introduction

In the digital age, access to information has become easier than ever before. The ability to download Welbilt Bread Machine Parts Model Abm8200 Instruction Manual Recipes Abm 8 has revolutionized the way we consume written content. Whether you are a student looking for course material, an avid reader searching for your next favorite book, or a professional seeking research papers, the option to download Welbilt Bread Machine Parts Model Abm8200 Instruction Manual Recipes Abm 8 has opened up a world of possibilities. Downloading Welbilt Bread Machine Parts Model Abm8200 Instruction Manual Recipes Abm 8 provides numerous advantages over physical copies of books and documents. Firstly, it is incredibly convenient. Gone are the days of carrying around heavy textbooks or bulky folders filled with papers. With the click of a button, you can gain immediate access to valuable resources on any device. This convenience allows for efficient studying, researching, and reading on the go. Moreover, the cost-effective nature of downloading Welbilt Bread Machine Parts Model Abm8200 Instruction Manual Recipes Abm 8 has democratized knowledge. Traditional books and academic journals can be expensive, making it difficult for individuals with limited financial resources to access information. By offering free PDF downloads, publishers and authors are enabling a wider audience to benefit from their work. This inclusivity promotes equal opportunities for learning and personal growth. There are numerous websites and platforms where individuals can download Welbilt Bread Machine Parts Model Abm8200 Instruction Manual Recipes Abm 8. These websites range from academic databases offering research papers and journals to online libraries with an expansive collection of books from various genres. Many authors and publishers also upload their work to specific websites, granting readers access to their content without any charge. These platforms not only provide access to existing literature but also serve as an excellent platform for

undiscovered authors to share their work with the world. However, it is essential to be cautious while downloading Welbilt Bread Machine Parts Model Abm8200 Instruction Manual Recipes Abm 8. Some websites may offer pirated or illegally obtained copies of copyrighted material. Engaging in such activities not only violates copyright laws but also undermines the efforts of authors, publishers, and researchers. To ensure ethical downloading, it is advisable to utilize reputable websites that prioritize the legal distribution of content. When downloading Welbilt Bread Machine Parts Model Abm8200 Instruction Manual Recipes Abm 8, users should also consider the potential security risks associated with online platforms. Malicious actors may exploit vulnerabilities in unprotected websites to distribute malware or steal personal information. To protect themselves, individuals should ensure their devices have reliable antivirus software installed and validate the legitimacy of the websites they are downloading from. In conclusion, the ability to download Welbilt Bread Machine Parts Model Abm8200 Instruction Manual Recipes Abm 8 has transformed the way we access information. With the convenience, cost-effectiveness, and accessibility it offers, free PDF downloads have become a popular choice for students, researchers, and book lovers worldwide. However, it is crucial to engage in ethical downloading practices and prioritize personal security when utilizing online platforms. By doing so, individuals can make the most of the vast array of free PDF resources available and embark on a journey of continuous learning and intellectual growth.

FAQs About Welbilt Bread Machine Parts Model Abm8200 Instruction Manual Recipes Abm 8 Books

1. Where can I buy Welbilt Bread Machine Parts Model Abm8200 Instruction Manual Recipes Abm 8 books? Bookstores: Physical bookstores like Barnes & Noble, Waterstones, and independent local stores. Online Retailers: Amazon, Book Depository, and various online bookstores offer a wide range of books in physical and digital formats.
2. What are the different book formats available? Hardcover: Sturdy and durable, usually more expensive. Paperback: Cheaper, lighter, and more portable than hardcovers. E-books: Digital books available for e-readers like Kindle or software like Apple Books, Kindle, and Google Play Books.
3. How do I choose a Welbilt Bread Machine Parts Model Abm8200 Instruction Manual Recipes Abm 8 book to read? Genres: Consider the genre you enjoy (fiction, non-fiction, mystery, sci-fi, etc.). Recommendations: Ask friends, join book clubs, or explore online reviews and recommendations. Author: If you like a particular author, you might enjoy more of their work.
4. How do I take care of Welbilt Bread Machine Parts Model Abm8200 Instruction Manual Recipes Abm 8 books? Storage: Keep them away from direct sunlight and in a dry environment. Handling: Avoid folding pages, use bookmarks, and

- handle them with clean hands. Cleaning: Gently dust the covers and pages occasionally.
5. Can I borrow books without buying them? Public Libraries: Local libraries offer a wide range of books for borrowing. Book Swaps: Community book exchanges or online platforms where people exchange books.
 6. How can I track my reading progress or manage my book collection? Book Tracking Apps: Goodreads, LibraryThing, and Book Catalogue are popular apps for tracking your reading progress and managing book collections. Spreadsheets: You can create your own spreadsheet to track books read, ratings, and other details.
 7. What are Welbilt Bread Machine Parts Model Abm8200 Instruction Manual Recipes Abm 8 audiobooks, and where can I find them? Audiobooks: Audio recordings of books, perfect for listening while commuting or multitasking. Platforms: Audible, LibriVox, and Google Play Books offer a wide selection of audiobooks.
 8. How do I support authors or the book industry? Buy Books: Purchase books from authors or independent bookstores. Reviews: Leave reviews on platforms like Goodreads or Amazon. Promotion: Share your favorite books on social media or recommend them to friends.
 9. Are there book clubs or reading communities I can join? Local Clubs: Check for local book clubs in libraries or community centers. Online Communities: Platforms like Goodreads have virtual book clubs and discussion groups.
 10. Can I read Welbilt Bread Machine Parts Model Abm8200 Instruction Manual Recipes Abm 8 books for free? Public Domain Books: Many classic books are available for free as they're in the public domain. Free E-books: Some websites offer free e-books legally, like Project Gutenberg or Open Library.

Find Welbilt Bread Machine Parts Model Abm8200 Instruction Manual Recipes Abm 8 :

[stannah 400 wiring problems](#)

[static electricity superteacher answers](#)

[starlet ep9gear box manual](#)

[standard catalog of vintage baseball cards](#)

[star choice zap2it program guide](#)

[star released questions algebra 1](#)

[stannah model 250](#)

[startup owner manual](#)

[standard tender documents](#)

[starcool reefer container manual cim6 machinery](#)

~~starry night lab manual~~

~~state space and multivariable theory studies in dynamical systems~~

starsat remote control manual

~~star exam sample paper by nsde~~

~~stannah model 300 install manual~~

Welbilt Bread Machine Parts Model Abm8200 Instruction Manual Recipes Abm 8 :

antologia poetica biblioteca edaf machado manuel amazon de - Apr 20 2022

web antologia poetica biblioteca edaf machado manuel isbn 9788441413627 kostenloser versand für alle bücher mit versand und verkauf duch amazon zum hauptinhalt wechseln de hallo lieferadresse wähle

antologia poetica de manuel machado biblioteca edaf - Aug 05 2023

web sinopsis sobre este título edición de bolsillo en perfecto estado 157 pg biblioteca edaf selección y prólogo de manuel márquez de la plata poesía española literatura española sinopsis puede pertenecer a otra edición de este libro reseña del editor

manuel machado antologia poetica abebooks - Oct 27 2022

web oct 1 2003 manuel machado antologia poetica 140 results you searched for keywords manuel machado antologia poetica

antonio machado - Feb 16 2022

web antología antonio machado 1 antonio machado partimos de la seleccirofesorón elaborada por el josé maría p gonzález serna en su sitio aula de letras divino poeta unió a la amargura de la eterna rueda la dulce armonía del agua que sueña y vendó tus ojos pobre mula vieja mas sé que fue un noble

antologia poetica de manuel machado by m machado open - Jul 04 2023

web sep 9 2003 antologia poetica de manuel machado by m machado september 9 2003 edaf s a edition paperback in spanish español an edition of antologia poetica de manuel machado 2003 antologia poetica de manuel machado by m machado 0 ratings 0 want to read 0 currently reading

antología poética de manuel machado spanish edition - Apr 01 2023

web antología poética de manuel machado spanish edition by machado manuel isbn 10 8441413622 isbn 13 9788441413627 editorial edaf s l 2006 softcover

antologia poetica de manuel machado biblioteca edaf - Aug 25 2022

web antologia poetica de manuel machado biblioteca edaf manuel machado edaf libro nuevo libro usado 58 194 116 389

ahorras 58 194 50 descuento calcula el costo de envío

antología poética manuel machado google books - Jun 03 2023

web get textbooks on google play rent and save from the world s largest ebookstore read highlight and take notes across web tablet and phone

books by manuel machado author of antología poética goodreads - May 22 2022

web manuel machado s most popular book is antología poética biblioteca de clásicos y raros by manuel machado de amore of love antologia poetica poetic anthology by manuel machado really liked it 4 00 avg rating 1 rating published 2004 want

manuel machado antonio machado 5 en libros fnac - Jun 22 2022

web 1214025 publicidad publicidad 5 antología poética libro de manuel machado antonio machado editorial catedra libros con 5 de descuento y envío gratis desde 19

manuel machado author of antología poética goodreads - Jul 24 2022

web manuel machado ruiz sevilla 1874 madrid 1947 fue un poeta y dramaturgo español hermano de antonio machado manuel fue el primer hijo de ana ruiz hernández y antonio machado Álvarez pasó sus primeros años en sevilla donde vivió en el palacio de dueñas y el resto de su infancia en madrid donde estudió en la institución libre de

antología poetica de manuel machado biblioteca edaf - Oct 07 2023

web este sentimiento de nostalgia por el pálido reflejo del bien perdido obliga al poeta a un constante juego con su propia herida el ejercicio de hacer versos en manuel machado con todo hay poca poesía dedicada a recordar una pérdida concreta se trata más bien de una especie de desencanto esencial de la vida y del mundo

antologia poetica de machado iberlibro - Sep 25 2022

web antología poética de machado antologia poetica de machado 653 resultados ha buscado autor machado título antologia poetica biblioteca del estudiante club internacional del libro machado antonio 1875 1939 poesía introducción y selección maría paredes bibliografía p 44 46 isbn 8474617170 2761164 lt153

antología poética by manuel machado goodreads - Nov 27 2022

web este escritor es mucho menos conocido que su hermano antonio y eso se debe en gran parte a cuestiones de tipo político mientras que antonio machado se opuso al franquismo y en gran medida terminó siendo víctima de ese sistema murió huyendo de la españa fascista manuel machado se integró al régimen e incluso escribió textos de alabanza

antología poética manuel machado google books - Sep 06 2023

web nov 15 2006 antología poética manuel machado edaf nov 15 2006 juvenile nonfiction 160 pages al leer los poemas de manuel machado 1874 1947 el lector tiene la impresión de que surgen de

antología poética de a machado clásicos biblioteca - Dec 29 2022

web antología poetica machado biblioteca edaf antonio machado con su hermano manuel se mueve en los ambientes artísticos en 1899 y 1902 viaja a paris donde conoce a rubén darío em 1903 aparece su primer libro de poemas soledades en 1906 obtiene una cátedra de francés en soria y allí se publica su segundo libro soledades galerías

antología antonio machado biblioteca virtual miguel de - Mar 20 2022

web documento pdf título antología antonio machado formato pdf autor machado antonio 1875 1939 publicación alicante biblioteca virtual miguel de cervantes 2020 publicación original cuadernos hispanoamericanos núm 11 12 septiembre diciembre 1949 pp 595 603 notas de reproducción original edición digital a partir de

antología poetica manuel machado casa del libro - Jan 30 2023

web 160 editorial edaf idioma castellano encuadernación tapa blanda isbn 9788441413627 año de edición 2003 plaza de edición españa fecha de lanzamiento 09 09 2003

antología poética by manuel machado open library - May 02 2023

web apr 1 2022 poems by manuel machado 1977 e m e s a edition in spanish español donate Čeština cs deutsch de english en español es français fr hrvatski hr portugués pt ☐ ☐ ☐ te Українська uk ☐☐ zh an edition of poems 1970 antología poética by manuel machado 0 ratings

antologia poetica manuel machado casa del libro - Feb 28 2023

web manuel machado manuel machado ruiz sevilla 29 de agosto de 1874 madrid 19 de enero de 1947 fue un poeta español hermano de antonio machado con el que colaboró mucho fue uno de los más destacados representantes del modernismo en españa los hermanos manuel y antonio escribieron juntos varias obras dramáticas de ambiente

hymnica 1974 1978 worldcat org - Aug 16 2023

web author luis antonio de villena print book spanish 1979 edition view all formats and editions publisher ediciones peralta madrid 1979 show more information location

1994 yılı yabancı Şarkıları müzik listeleri blogger - Jan 29 2022

web 1994 yabancı şarkı listesi 1994 hit yabancı listesi 1994 yabancı pop listesi 1994 yıllı en İyi yabancı Şarkıları 1994 hit şarkılar 1994 yılı hit müzikleri 1994 şarkıları 1994 yabancı hitleri 1994 yabancı parçalar 1994 hit 1994 pop number one fm 94 top 20 metro fm 94 top 20 power fm 94 top 20 1994 hit songs top 1994 1994 hits 1994 dance pop 90s

2 İstanbul müzik festivali 1974 İksv - Mar 31 2022

web İstanbul kültür sanat vakfı İksv tarafından düzenlenen İstanbul müzik festivali her yıl haziran ayında bir araya getirdiği dünyaca ünlü orkestra ve solistler verdiği eser siparişleri şehrin tarihi dokusuyla bütünleşen konserleri ve 45 yılı aşkın tarihiyle bölgenin en saygın ve köklü klasik müzik etkinliği

1984 yılı yabancı Şarkıları müzik listeleri blogger - Feb 27 2022

web 1984 yabancı şarkı listesi 1984 hit yabancı listesi 1984 yabancı pop listesi 1984 yıllı en İyi yabancı Şarkıları 1984 hit şarkılar 1984 yılı hit müzikleri 1984 şarkıları 1984 yabancı hitleri 1984 yabancı parçalar 84 senesi şarkıları top 1984 hits songs 1984 pop disco rock 80s hits music

[free delivery worldwide on all books from book depository](#) - Nov 07 2022

web book depository is the world s most international online bookstore offering over 20 million books with free delivery worldwide

hymnica 1974 1978 poesía hiperión spanish edition - Oct 06 2022

web may 1 1979 hymnica 1974 1978 poesía hiperión spanish edition villena luis antonio de on amazon com free shipping on qualifying offers hymnica 1974 1978 poesía hiperión spanish edition

[hymnica 1974 1978 el manuscrito hardcover abebooks](#) - Jul 15 2023

web abebooks com hymnica 1974 1978 el manuscrito 9788492816903 by villena luis antonio de and a great selection of similar new used and collectible books available now at great prices

hymnica 1979 edition open library - Apr 12 2023

web hymnica 1974 1978 poesia hiperion by luis antonio de villena 0 ratings 0 want to read 0 currently reading 0 have read

[hymnica 1974 1978 poesía hiperión spanish edition](#) - Feb 10 2023

web hardcover search for all books with this author and title top search results from the abebooks marketplace hymnica 1974 1978 poesía hiperión spanish edition villena luis antonio de published by hiperión poesía ediciones peralta madrid 1979

hymnica 1974 1978 pdf uniport edu - Aug 04 2022

web jun 22 2023 this hymnica 1974 1978 but stop up in harmful downloads rather than enjoying a good pdf later a mug of coffee in the afternoon on the other hand they juggled in the same way as some harmful virus inside their computer hymnica 1974 1978 is affable in our digital library an online

hymnica 1974 1978 pdf - Jun 02 2022

web hymnica 1974 1978 pdf upload betty b boyle 1 17 downloaded from voto uncal edu br on august 30 2023 by betty b boyle hymnica 1974 1978 pdf hymnica 1974 1978 pdf whispering the secrets of language an mental quest through hymnica 1974 1978 pdf in a digitally driven world where monitors reign supreme and

hymnica 1974 1978 poes a hiperión paperback 1 jan 1979 - Jan 09 2023

web buy hymnica 1974 1978 poes a hiperión 1^a ed by luis antonio de villena isbn 9788485272433 from amazon s book store everyday low prices and free delivery on eligible orders

[hymnica 1974 1978 by luis antonio de villena](#) - May 13 2023

web aug 10 2023 entziklopedia askea hymnica 1974 1978 de villena luis antonio de 978 84 anonymous oxford reference

plague and music in the renaissance by remi chiu major microform sets with description yale university pinakes

hymnica 1974 1978 luis antonio de villena national library - Jun 14 2023

web citation title hymnica 1974 1978 luis antonio de villena author1 villena luis antonio de 1951 year 1979 publisher i peralta language spanish get this

hymnica 1974 1978 by luis antonio de villena jetpack theaoi - Sep 05 2022

web hymnica 1974 1978 by luis antonio de villena passato culturale e atteggiamento estetico contemporaneo vicino al mo jetpack theaoi com 2 6

1946 70 yıl Öncesinin en sevilen 20 Şarkısı onedio - May 01 2022

web may 15 2016 Önceki içeriklerimiz müziğin evrimi 1 bölüm 1916 100 yıl Öncesinin en sevilen 20 Şarkısı müziğin evrimi 2 bölüm 1926 90 yıl Öncesinin en sevilen 20 Şarkısı müziğin evrimi 3 bölüm 1936 80 yıl Öncesinin en sevilen 20 Şarkısı 1

hymnica 1974 1978 by luis antonio de villena - Dec 08 2022

web oxford reference hymnica 1974 1978 de villena luis antonio de 1978 84 siglenverzeichnis jöb 61 univie ac at philippe de vitry la trobe university para los dioses turcos luis antonio de villena the dispute between mary and the cross introduction monoteismo wikipedia

hymnica by luis antonio de villena open library - Mar 11 2023

web hymnica by luis antonio de villena 1979 ediciones peralta edition in spanish español

1974 eurovision Şarkı yarışması vikipedi - Jul 03 2022

web 1974 eurovision Şarkı yarışması 19 eurovision Şarkı yarışmasıdır yarışma 1973 yarışması nı kazanmasından dolayı lüksemburg un yapması gerekirken iki yıl üst üste ev sahipliği yapmanın vereceği mali yükü kaldıramayacağı gerekçesiyle bu [hymnica 1974 1978 by luis antonio de villena reserve lasd org](#) - Dec 28 2021

web aug 2 2023 hymnica 1974 1978 by luis antonio de villena monoteismo wikipedia major microform sets with description yale university the dispute between mary and the cross introduction hymnica 1974 1978 book 1979 worldcat internet archive about ia pinakes notice liturgica canones beads and prayers the

descargar gratis touched the complete series english - Aug 19 2022

web a new cyclopaedia comprehending a complete series of essays treatises and systems alphabetically arranged with a general dictionary of arts sciences and words

touched the complete series kindle edition - Oct 01 2023

web jul 22 2017 audiobook 0 00 free with your audible trial this box set includes all four books in the 1 best selling series touched and is over 2000 pages of romance

touched the complete series kindle edition amazon in - Dec 23 2022

web mar 10 2023 download touched the complete series boxset by elisa s amore in pdf epub format complete free brief summary of book touched the complete series

loading interface goodreads - May 16 2022

web mar 8 2020 download touched the complete series english edition de elisa s amore libros gratis en epub touched the complete series english edition libro

touched the complete series by elisa s amore goodreads - Jul 30 2023

web touched the complete series elisa s amore annie crawford editor leah janeczko translator 4 36 473 ratings66 reviews this box set includes all four books in the 1 best

touched saga by elisa s amore goodreads - Apr 26 2023

web buy a cheap copy of touched the complete series book by elisa s amore this box set includes all four books in the 1 best selling series touched and is over 2000 pages of

touched the complete series english edition by elisa s amore - Jul 18 2022

web discover and share books you love on goodreads

touched book series in order - Mar 14 2022

pdf epub touched the complete series boxset download - Oct 21 2022

web oct 9 2021 touched the complete series english edition de elisa s amore descripción this box set includes all four books in the 1 best selling series touched

touched the complete series audio download elisa s - Jan 24 2023

web title touched the complete series author elisa s amore annie crawford leah d janeczko edition july 22 2017 publisher elisa s amore all isbn

descarga touched the complete series english edition de - Feb 10 2022

touched the complete series book by elisa s amore - Feb 22 2023

web touched the complete series ebook s amore elisa crawford annie d janeczko leah amazon in kindle store

touched the complete saga touched saga - Jun 28 2023

web by elisa s amore 4 36 473 ratings 66 reviews 2 editions this box set includes all four books in the 1 bes want to read rate it the shadow of fate touched 0 5

touched the complete series kindle edition amazon co uk - Aug 31 2023

web jul 22 2017 this box set includes all four books in the 1 best selling series touched and is over 2000 pages of romance

fantasy mythology and adventure over 200 000

touched the complete series amazon com - May 28 2023

web touched the complete series as it s meant to be heard narrated by mark deakins emma galvin caitlin kelly matt lanter michelle sparks discover the english

touched the complete series english edition full pdf 2013 - Jun 16 2022

web touched the caress of fate the first novel of the touched series is a saga that introduces a new breed of angels the knights of death they are a deadly ancient and

descargar touched the complete series english edition de - Sep 19 2022

web touched the complete series english edition by elisa s amore find many great new amp used options and get the best deals for touched by an angel plete series region 0

touched the complete series by elisa s amore - Mar 26 2023

web touched the complete series audio download elisa s amore mark deakins emma galvin caitlin kelly matt lanter michelle sparks elisa s amore amazon co uk

touched the complete series heyyar - Nov 21 2022

web mar 10 2020 editor elisa s amore 22 de julio de 2017 colección idioma inglés isbn 10 isbn 13 lee ahora descargar descripción this box set includes all four books in

touch the complete series kindle edition - Apr 14 2022