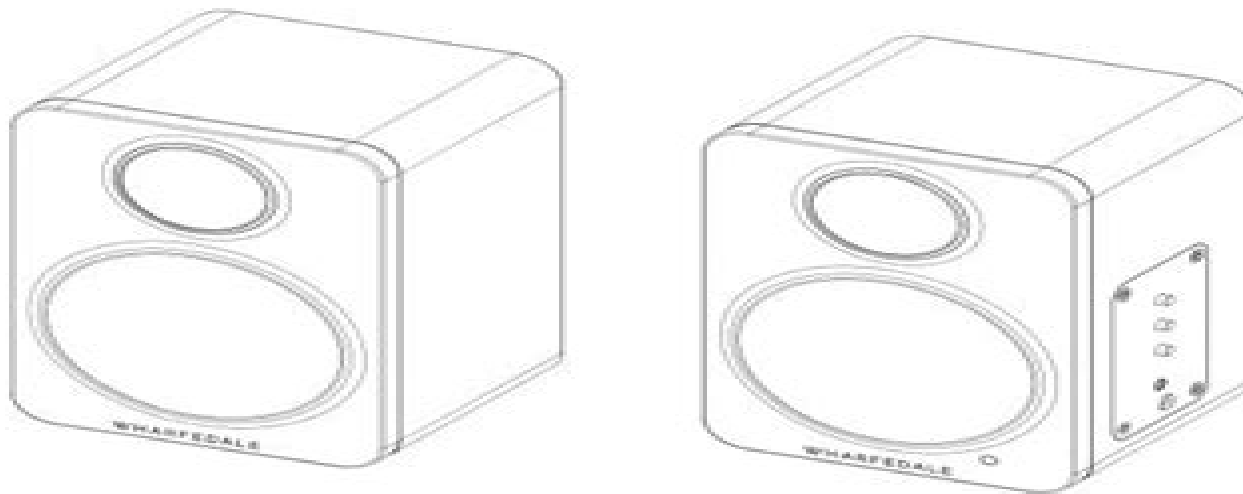


DS-2
WIRELESS SPEAKER



 WHARFEDALE

User's Manual

Wharfedale Ds 5957 Manual

Zhe Xu



Wharfedale Ds 5957 Manual:

Unveiling the Magic of Words: A Overview of "**Wharfedale Ds 5957 Manual**"

In a global defined by information and interconnectivity, the enchanting power of words has acquired unparalleled significance. Their capability to kindle emotions, provoke contemplation, and ignite transformative change is actually awe-inspiring. Enter the realm of "**Wharfedale Ds 5957 Manual**," a mesmerizing literary masterpiece penned by a distinguished author, guiding readers on a profound journey to unravel the secrets and potential hidden within every word. In this critique, we shall delve into the book is central themes, examine its distinctive writing style, and assess its profound affect the souls of its readers.

<http://www.frostbox.com/results/book-search/Documents/urban%20sketching%20the%20complete%20guide%20to%20techniques%20thomas%20thorspecken.pdf>

Table of Contents Wharfedale Ds 5957 Manual

1. Understanding the eBook Wharfedale Ds 5957 Manual
 - The Rise of Digital Reading Wharfedale Ds 5957 Manual
 - Advantages of eBooks Over Traditional Books
2. Identifying Wharfedale Ds 5957 Manual
 - Exploring Different Genres
 - Considering Fiction vs. Non-Fiction
 - Determining Your Reading Goals
3. Choosing the Right eBook Platform
 - Popular eBook Platforms
 - Features to Look for in an Wharfedale Ds 5957 Manual
 - User-Friendly Interface
4. Exploring eBook Recommendations from Wharfedale Ds 5957 Manual
 - Personalized Recommendations
 - Wharfedale Ds 5957 Manual User Reviews and Ratings

- Wharfedale Ds 5957 Manual and Bestseller Lists
- 5. Accessing Wharfedale Ds 5957 Manual Free and Paid eBooks
 - Wharfedale Ds 5957 Manual Public Domain eBooks
 - Wharfedale Ds 5957 Manual eBook Subscription Services
 - Wharfedale Ds 5957 Manual Budget-Friendly Options
- 6. Navigating Wharfedale Ds 5957 Manual eBook Formats
 - ePub, PDF, MOBI, and More
 - Wharfedale Ds 5957 Manual Compatibility with Devices
 - Wharfedale Ds 5957 Manual Enhanced eBook Features
- 7. Enhancing Your Reading Experience
 - Adjustable Fonts and Text Sizes of Wharfedale Ds 5957 Manual
 - Highlighting and Note-Taking Wharfedale Ds 5957 Manual
 - Interactive Elements Wharfedale Ds 5957 Manual
- 8. Staying Engaged with Wharfedale Ds 5957 Manual
 - Joining Online Reading Communities
 - Participating in Virtual Book Clubs
 - Following Authors and Publishers Wharfedale Ds 5957 Manual
- 9. Balancing eBooks and Physical Books Wharfedale Ds 5957 Manual
 - Benefits of a Digital Library
 - Creating a Diverse Reading Collection Wharfedale Ds 5957 Manual
- 10. Overcoming Reading Challenges
 - Dealing with Digital Eye Strain
 - Minimizing Distractions
 - Managing Screen Time
- 11. Cultivating a Reading Routine Wharfedale Ds 5957 Manual
 - Setting Reading Goals Wharfedale Ds 5957 Manual
 - Carving Out Dedicated Reading Time
- 12. Sourcing Reliable Information of Wharfedale Ds 5957 Manual
 - Fact-Checking eBook Content of Wharfedale Ds 5957 Manual
 - Distinguishing Credible Sources

13. Promoting Lifelong Learning
 - Utilizing eBooks for Skill Development
 - Exploring Educational eBooks
14. Embracing eBook Trends
 - Integration of Multimedia Elements
 - Interactive and Gamified eBooks

Wharfedale Ds 5957 Manual Introduction

Free PDF Books and Manuals for Download: Unlocking Knowledge at Your Fingertips In today's fast-paced digital age, obtaining valuable knowledge has become easier than ever. Thanks to the internet, a vast array of books and manuals are now available for free download in PDF format. Whether you are a student, professional, or simply an avid reader, this treasure trove of downloadable resources offers a wealth of information, conveniently accessible anytime, anywhere. The advent of online libraries and platforms dedicated to sharing knowledge has revolutionized the way we consume information. No longer confined to physical libraries or bookstores, readers can now access an extensive collection of digital books and manuals with just a few clicks. These resources, available in PDF, Microsoft Word, and PowerPoint formats, cater to a wide range of interests, including literature, technology, science, history, and much more. One notable platform where you can explore and download free Wharfedale Ds 5957 Manual PDF books and manuals is the internet's largest free library. Hosted online, this catalog compiles a vast assortment of documents, making it a veritable goldmine of knowledge. With its easy-to-use website interface and customizable PDF generator, this platform offers a user-friendly experience, allowing individuals to effortlessly navigate and access the information they seek. The availability of free PDF books and manuals on this platform demonstrates its commitment to democratizing education and empowering individuals with the tools needed to succeed in their chosen fields. It allows anyone, regardless of their background or financial limitations, to expand their horizons and gain insights from experts in various disciplines. One of the most significant advantages of downloading PDF books and manuals lies in their portability. Unlike physical copies, digital books can be stored and carried on a single device, such as a tablet or smartphone, saving valuable space and weight. This convenience makes it possible for readers to have their entire library at their fingertips, whether they are commuting, traveling, or simply enjoying a lazy afternoon at home. Additionally, digital files are easily searchable, enabling readers to locate specific information within seconds. With a few keystrokes, users can search for keywords, topics, or phrases, making research and finding relevant information a breeze. This efficiency saves time and effort, streamlining the learning process and allowing individuals to focus on extracting the information they need. Furthermore, the availability of free PDF books and manuals fosters a culture of continuous learning. By removing

financial barriers, more people can access educational resources and pursue lifelong learning, contributing to personal growth and professional development. This democratization of knowledge promotes intellectual curiosity and empowers individuals to become lifelong learners, promoting progress and innovation in various fields. It is worth noting that while accessing free Wharfedale Ds 5957 Manual PDF books and manuals is convenient and cost-effective, it is vital to respect copyright laws and intellectual property rights. Platforms offering free downloads often operate within legal boundaries, ensuring that the materials they provide are either in the public domain or authorized for distribution. By adhering to copyright laws, users can enjoy the benefits of free access to knowledge while supporting the authors and publishers who make these resources available. In conclusion, the availability of Wharfedale Ds 5957 Manual free PDF books and manuals for download has revolutionized the way we access and consume knowledge. With just a few clicks, individuals can explore a vast collection of resources across different disciplines, all free of charge. This accessibility empowers individuals to become lifelong learners, contributing to personal growth, professional development, and the advancement of society as a whole. So why not unlock a world of knowledge today? Start exploring the vast sea of free PDF books and manuals waiting to be discovered right at your fingertips.

FAQs About Wharfedale Ds 5957 Manual Books

How do I know which eBook platform is the best for me? Finding the best eBook platform depends on your reading preferences and device compatibility. Research different platforms, read user reviews, and explore their features before making a choice. Are free eBooks of good quality? Yes, many reputable platforms offer high-quality free eBooks, including classics and public domain works. However, make sure to verify the source to ensure the eBook credibility. Can I read eBooks without an eReader? Absolutely! Most eBook platforms offer webbased readers or mobile apps that allow you to read eBooks on your computer, tablet, or smartphone. How do I avoid digital eye strain while reading eBooks? To prevent digital eye strain, take regular breaks, adjust the font size and background color, and ensure proper lighting while reading eBooks. What the advantage of interactive eBooks? Interactive eBooks incorporate multimedia elements, quizzes, and activities, enhancing the reader engagement and providing a more immersive learning experience. Wharfedale Ds 5957 Manual is one of the best book in our library for free trial. We provide copy of Wharfedale Ds 5957 Manual in digital format, so the resources that you find are reliable. There are also many Ebooks of related with Wharfedale Ds 5957 Manual. Where to download Wharfedale Ds 5957 Manual online for free? Are you looking for Wharfedale Ds 5957 Manual PDF? This is definitely going to save you time and cash in something you should think about. If you trying to find then search around for online. Without a doubt there are numerous these available and many of them have the freedom. However without doubt you

receive whatever you purchase. An alternate way to get ideas is always to check another Wharfedale Ds 5957 Manual. This method for see exactly what may be included and adopt these ideas to your book. This site will almost certainly help you save time and effort, money and stress. If you are looking for free books then you really should consider finding to assist you try this. Several of Wharfedale Ds 5957 Manual are for sale to free while some are payable. If you arent sure if the books you would like to download works with for usage along with your computer, it is possible to download free trials. The free guides make it easy for someone to free access online library for download books to your device. You can get free download on free trial for lots of books categories. Our library is the biggest of these that have literally hundreds of thousands of different products categories represented. You will also see that there are specific sites catered to different product types or categories, brands or niches related with Wharfedale Ds 5957 Manual. So depending on what exactly you are searching, you will be able to choose e books to suit your own need. Need to access completely for Campbell Biology Seventh Edition book? Access Ebook without any digging. And by having access to our ebook online or by storing it on your computer, you have convenient answers with Wharfedale Ds 5957 Manual To get started finding Wharfedale Ds 5957 Manual, you are right to find our website which has a comprehensive collection of books online. Our library is the biggest of these that have literally hundreds of thousands of different products represented. You will also see that there are specific sites catered to different categories or niches related with Wharfedale Ds 5957 Manual So depending on what exactly you are searching, you will be able tochoose ebook to suit your own need. Thank you for reading Wharfedale Ds 5957 Manual. Maybe you have knowledge that, people have search numerous times for their favorite readings like this Wharfedale Ds 5957 Manual, but end up in harmful downloads. Rather than reading a good book with a cup of coffee in the afternoon, instead they juggled with some harmful bugs inside their laptop. Wharfedale Ds 5957 Manual is available in our book collection an online access to it is set as public so you can download it instantly. Our digital library spans in multiple locations, allowing you to get the most less latency time to download any of our books like this one. Merely said, Wharfedale Ds 5957 Manual is universally compatible with any devices to read.

Find Wharfedale Ds 5957 Manual :

[urban sketching the complete guide to techniques thomas thorspecken](#)

[used boat pricing guide](#)

uppers downers all arounders study guide

[used crusader marine engines](#)

[use dvd burner repair](#)

[used guitar buying guide](#)

use amp guide coventry

us world and news report best hospitals

urutan un smp di kebumen 2015

urban love prophecy jessica ingro

us history regents june 2014

us cellular lg optimus manual

urban development program annual report

usa prep test answer key quadratic formula

us government chapter 7 packet answers

Wharfedale Ds 5957 Manual :

the ultimate brownies collection introducing 50 b copy - Apr 07 2022

web jun 29 2023 the ultimate brownies collection introducing 50 b 1 6 downloaded from uniport edu ng on june 29 2023 by guest the ultimate brownies collection introducing 50 b as recognized adventure as well as experience approximately lesson amusement as capably as deal can be gotten by just checking out a book the ultimate brownies

turkish coffee chocolate brownies 101 cookbooks - Jul 10 2022

web preheat the oven to 350f with a rack in the middle butter an 8x8 inch baking dish or equivalent in a tiny cup combine the extract and ground cardamom you should have about 1 teaspoon of freshly ground cardamom set aside combine the flour espresso salt in a small bowl and set aside

the ultimate brownie chocolate brownie recipe good housekeeping - Jun 09 2022

web feb 19 2000 grease and line a 27x19cm 10¼x6½in baking tin put the broken chocolate and the butter in a pan and melt over a low heat step 2 beat eggs sugar rum and vanilla extract in a bowl until

the ultimate brownies collection introducing 50 brownies - Aug 23 2023

web the ultimate brownies collection introducing 50 brownies recipes for any event freeman sophia amazon com tr kitap

ultimate chocolate brownies bbc good food - Aug 11 2022

web method preheat oven to 180c fan 160c gasmark 6 melt the chocolate and butter together over hot water can be melted in the microwave if you re in a hurry beat together the eggs sugar and vanilla extract paste add to the melted chocolate and butter mix sift together the flour cocoa and baking powder then fold into the rest of the mix

the ultimate brownies collection introducing 50 browni - Feb 17 2023

web it contains 50 unique brownie recipes with a combination of different ingredients these recipes are easy to make and

they will not drill a hole in your pocket more importantly they are perfect for any event or occasion

[ebook the ultimate brownies collection introducing 50 b](#) - Jul 22 2023

web the ultimate brownies collection introducing 50 b taste of home brownies bars jun 18 2021 brief description from simple to spectacular brownies and bars just may be the most perfect treats in a family cooks recipe box after all whether you re looking for a lunchbox surprise an after dinner delight a proven bake sale

download the ultimate brownies collection introducing 50 - Jun 21 2023

web read the latest magazines about download the ultimate brownies collection introducing 50 brownies recipes for any event kindle and discover magazines on yumpu com

the ultimate brownies collection introducing 50 brownies - Mar 18 2023

web the ultimate brownies collection introducing 50 brownies recipes for any event ebook freeman sophia amazon com au kindle store

the ultimate brownies collection introducing 50 b 2022 - May 20 2023

web edgar wallace ultimate collection crime novels detective stories historical works true crime accounts poetry memoirs complete edition best ever brownies 101 brownie recipes

the ultimate brownies collection introducing 50 brownies - Dec 15 2022

web may 21 2019 the ultimate brownies collection introducing 50 brownies recipes for any event kindle edition by freeman sophia download it once and read it on your kindle device pc phones or tablets use features like bookmarks note taking and highlighting while reading the ultimate brownies collection introducing 50 brownies recipes

the ultimate brownies collection introducing 50 b - May 08 2022

web 2 the ultimate brownies collection introducing 50 b 2022 01 19 chocolate brownie cengage learning introducing the ultimate ode to cookies featuring over 150 cookie recipes every home baker should have in their collection become a cookie connoisseur with a variety of flavors and cookie styles from buttercream filled sandwich cookies

the ultimate brownies collection introducing 50 brownies - Mar 06 2022

web jun 6 2023 the digital records of this the ultimate brownies collection introducing 50 brownies recipes for any event english edition by sophia freeman by online ultimately you will definitively find a supplementary experience and action by using up additional finances you could buy tutorial the ultimate brownies collection introducing 50 brownies

the ultimate brownie allrecipes - Oct 13 2022

web apr 11 2023 sift flour cocoa and salt together add flour mixture to butter mixture mixing until combined stir in walnuts spread batter into the prepared pan bake in preheated oven until brownies are set a toothpick inserted in the center should have small crumbs clinging to it rather than wet batter 45 to 50 minutes do not overbake

[download the ultimate bro yumpu](#) - Nov 14 2022

web read the latest magazines about download the ultimate bro and discover magazines on yumpu com en download the ultimate brownies collection introducing 50 brownies recipes for any event kindle epaper read download epaper tags

[the ultimate brownies collection introducing 50 b pdf full pdf](#) - Feb 05 2022

web made three different ways to bars brownies and blondies that reflect a wide range of flavors and global inspiration this is the comprehensive yet charming cookbook every cookie lover or those who love to bake cookies needs recipes include marshmallow peanut butter brownies olive oil sugar cookies with

the ultimate brownies collection introducing 50 brownies - Apr 19 2023

web may 22 2019 buy the ultimate brownies collection introducing 50 brownies recipes for any event by freeman sophia isbn 9781099708619 from amazon s book store everyday low prices and free delivery on eligible orders

get a book yumpu - Jan 16 2023

web download the ultimate brownies collection introducing 50 brownies recipes for any event kindle

[kitchen riffs the ultimate chocolate brownie](#) - Jan 04 2022

web jul 29 2012 the brownies are done when the toothpick comes out slightly moist with a few bits of brownie stuck to it it usually takes about 30 minutes until the brownies are done but ovens vary cool in the pan on a rack for

the ultimate brownies collection introducing 50 b 2022 - Sep 12 2022

web the ultimate sf collection 150 classics baked in america the ultimate chocolate cookie book introduction to raindrop cake the ultimate brownies collection introducing 50 b downloaded from staging nobaproject com by guest huang jamarcus the irresistible brownie recipe book simon and schuster you want your efforts at making

[milo manara wikipedia](#) - Jul 20 2023

web maurilio manara m ə ' n ɑ: r ə born 12 september 1945 known professionally as milo manara is an italian comic book writer and artist career edit after architecture and painting studies he made his comics debut in 1969 drawing for genius a fumetti neri series of pocket books from publisher furio vanio in the wake of the

milo manara facebook - May 06 2022

web milo manara 483 711 likes 8 297 talking about this milo manara is an italian comic book writer and artist he s one of the most important internation

[milo milo manara](#) - Sep 10 2022

web in occasione della riapertura dello storico palazzo pallavicini di bologna si è tenuta la grande esposizione nel segno di manara antologica di milo manara in mostra più di 140 opere esposte da settembre 2017 a gennaio 2018

[biography milo manara](#) - Mar 16 2023

web milo manara official website italian comic book writer and artist he s one of the most important international erotic authors

milo manara disegni fumetti e opere elle decor - Jul 08 2022

web oct 11 2021 herve bruhatgetty images milo manara nato a luson in provincia di bolzano nel 1945 è uno dei fumettisti italiani più conosciuti e apprezzati al mondo attivo sin dagli anni sessanta ha fatto del desiderio di rappresentare il legame tra il mondo femminile e l'eros la sua firma inconfondibile

biografia milo manara - Jan 14 2023

web la storia scritta e sceneggiata da manara uscirà in italia quasi in contemporanea sulla rivista pilot su sceneggiatura di castelli manara disegna poi l'uomo delle nevi per la collana un uomo un'avventura edita da cepim oggi sergio bonelli

[milo manara comic online page 1](#) - Mar 04 2022

web milo manara is a renowned italian comic artist and writer known for his erotic and sensual style on this page you can find his works biography and interviews explore the world of manara and discover his amazing stories and art

milo manara wikipédia a enciclopédia livre - Feb 15 2023

web milo manara redução do nome original maurilio manara luson 13 de setembro de 1945 é um desenhista italiano mais conhecido pela vertente erótica da sua obra 1

milo manara official website - Aug 21 2023

web festival del fumetto di lugano milo manara sarà tra gli ospiti speciali del festival del fumetto di lugano exhibitions milo manara comunicare disegnando il magnifico castel dragone baluardo del porto di camogli accoglie milo manara comunicare disegnando auctions di segnali per loro l'asta di beneficenza

milo manara wikipédia - Feb 03 2022

web maurillo milo manara né le 12 septembre 1945 à luson 1 dans le trentin haut adige en italie est un auteur italien de bande dessinée érotique biographie quatrième d'une famille de six enfants milo manara grandit dans une petite ville italienne proche de la frontière autrichienne

milo manara artnet - Oct 11 2022

web recently added milo manara is an italian artist best known for his erotic comics and illustrations view milo manara s 927 artworks on artnet find an in depth biography exhibitions original artworks for sale the latest news and sold auction prices *the manara library manara milo author illustrator free* - Aug 09 2022

web v 3 manara s collaborations with legendary filmmaker federico fellini take center stage in volume three working from fellini s unproduced screenplays these two masters created the beautiful surreal novellas trip to tulum and the journey of g mastorna the latter of which is published in english for the first time

[biografia di milo manara biografieonline](#) - Apr 05 2022

web sep 12 2007 maurilio manara detto milo nasce a luson bolzano nel 1945 È uno dei più celebri fumetti sti italiani del dopoguerra disegnatore dal tratto raffinato ha saputo creare un mondo onirico popolato di ragazze bellissime e impossibili talmente affascinanti ed eteree da essere totalmente irreali

milo manara wikpedi - Apr 17 2023

web maurilio manara ya da bilinen adıyla milo manara d 12 eylül 1945 lüsen dünyaca ünlü İtalyan çizgi roman sanatçısı
home milo manara - May 18 2023

web milo manara official website italian comic book writer and artist he s one of the most important international authors
[milo manara wikipedia](#) - Jan 02 2022

web milo manara 2008 milo manara 12 september 1945 in lüsen südtirol eigentlich maurilio manara ist ein comiczeichner der vor allem durch seine erotischen comics realistischen zeichnungen und den markanten präzisen strich bekannt geworden ist

milo manara compie 75 anni il maestro del fumetto erotico italiano foto - Dec 13 2022

web sep 12 2020 leggi su sky tg24 l articolo i 75 anni di milo manara il maestro del fumetto erotico italiano foto famoso in tutto il mondo l artista è nato il 12 settembre del 1945 a luson bolzano

manara opere complete n 16 milo manara free download - Jun 07 2022

web nov 1 1993 manara opere complete n 16 by milo manara publication date 1993 11 01 topics milo manara le avventure di giuseppe bergman fumetto italiano italia fumetto d autore collection

milo manara wikipedia - Jun 19 2023

web maurilio manara detto milo luson 12 settembre 1945 è un fumettista italiano conosciuto in italia e all estero per il fascino sensuale delle sue tavole indice 1 carriera 1 1 le prime collaborazioni 1 2 anni settanta 1 3 anni ottanta 1 4 anni novanta 1 5 anni duemila 1 6 anni duemiladieci 2 manara e fellini 3 opere

milo milo manara - Nov 12 2022

web 01 10 1983 in october 1983 based on texts by hugo pratt manara draws in the corto maltese magazine indian summer considered one of the greatest masterpieces of the two artists and one of the most beautiful works of italian comics comic book written by hugo pratt and focused on the atmosphere of the scarlet letter by nathaniel hawthorne

home eharmony it - Jan 28 2022

web redirecting to

[vendetta rosso passione harmony collezione italia pdf copy](#) - Mar 30 2022

web vendetta rosso passione harmony collezione italia pdf unveiling the power of verbal beauty an emotional sojourn through

vendetta rosso passione harmony collezione italia pdf in a global inundated with screens and the cacophony of quick communication the profound power and psychological resonance of verbal beauty frequently diminish in to [vendetta rosso passione by kate walker overdrive](#) - Jun 13 2023

web jul 10 2019 vendetta rosso passione ebook harmony collezione by kate walker read a sample format ebook series harmony collezione author kate walker publisher harpercollins italia release 10 july 2019 subjects fiction romance find this title in libby the library reading app by overdrive search for a digital library with this title [vendetta rosso passione harmony collezione ebook epub fnac](#) - Nov 06 2022

web harmony collezione vendetta rosso passione kate walker harpercollins italia des milliers de livres avec la livraison chez vous en 1 jour ou en magasin avec 5 de réduction vendetta rosso passione harmony collezione ebook epub kate walker [redirecting to eharmony it](#) - Feb 26 2022

web redirecting to

vendetta rosso passione eharmony it - Jul 14 2023

web hanno condiviso una notte di passione poi alla fredda luce del giorno la scottante verità che emily gli ha nascosto ha finito col separarli emily lawton non si sarebbe mai aspettata di rivederlo ancora invece chissà come vito corsentino è riuscito a rintracciarla e ora è lì di fronte a lei desideroso di ricominciare daccapo vito è tornato da emily per avere la [vendetta rosso passione harmony collezione italian edition by](#) - Dec 27 2021

web text of italian conversation grammar a new and full text of italian conversation grammar a new and english italian dictionary mary balogh semplicemente perfetto i romanzi oro serie catalogo generale in pdf italia doczz it helena kenneth april 17th 2020 amor en verano nora roberts spanish edition pdf audace vendetta harmony collezione pdf a

vendetta rosso passione harmony collezione italia pdf pdf - Jan 08 2023

web 1975 this is the great italian poet s most personal and confessional novel presented here for the first time in unexpurgated form publishing for the popes

[amazon com vendetta rosso passione harmony collezione italian](#) - Oct 05 2022

web amazon com vendetta rosso passione harmony collezione italian edition ebook walker kate tienda kindle [vendetta rosso passione harmony collezione italian edition by](#) - Jun 01 2022

web may 18 2023 vendetta rosso passione harmony collezione italian edition by kate walker vendetta rosso passione harmony collezione italian edition by kate walker genius 13 cover alessandro benetton by 2015 bollettinostudibelliniani eu scaricare libri segreti di due estranei di eliza plume gee best sconti aprile clasf hangxachtay24h

[vendetta rosso passione walker kate ebook libreria ibs](#) - Aug 15 2023

web vendetta rosso passione è un ebook di walker kate pubblicato da harpercollins italia nella collana harmony collezione a 2

99 il file è in formato epub2 con adobe drm risparmio online con le offerte ibs

vendetta rosso passione harmony collezione italian edition - Dec 07 2022

web achetez et téléchargez ebook vendetta rosso passione harmony collezione italian edition boutique kindle littérature sentimentale amazon fr

vendetta rosso passione ebook by kate walker rakuten kobo - Apr 30 2022

web read vendetta rosso passione harmony collezione by kate walker available from rakuten kobo hanno condiviso una notte di passione poi alla fredda luce del giorno la scottante verità che emily gli ha nascosto h

harmony collezione vendetta rosso passione di kate walker italiano - May 12 2023

web acquista ora harmony collezione vendetta rosso passione di kate walker online su edicola shop la prima edicola online d italia

vendetta rosso passione harmony collezione formato kindle - Apr 11 2023

web vendetta rosso passione harmony collezione ebook walker kate amazon it kindle store

vendetta rosso passione di kate walker ebook scribd - Jul 02 2022

web leggi vendetta rosso passione di kate walker con una prova gratuita leggi milioni di ebook e audiolibri online e su ipad iphone e android

harmony collezione agosto 2023 harmony collezione - Aug 03 2022

web acquista tutta la collana harmony collezione di agosto in formato libro disponibile in edicola 09 agosto 2023 disponibile sullo shop 19 luglio 2023 ultimo ballo a parigi l eredità del greco cenerentola a venezia

eharmony it lo store online dei romanzi harmony eharmony - Sep 04 2022

web harmony collezione mylit harmony bianca harmony jolly harmony destiny harmony romance il meglio di harmony harmony mylit harmony my dream

vendetta rosso passione harmony collezione italian edition - Feb 09 2023

web vendetta rosso passione harmony collezione italian edition ebook walker kate amazon es tienda kindle

vendetta rosso passione harmony collezione italian edition - Mar 10 2023

web jul 10 2019 vendetta rosso passione harmony collezione italian edition kindle edition by walker kate download it once and read it on your kindle device pc phones or tablets use features like bookmarks note taking and highlighting while reading vendetta rosso passione harmony collezione italian edition