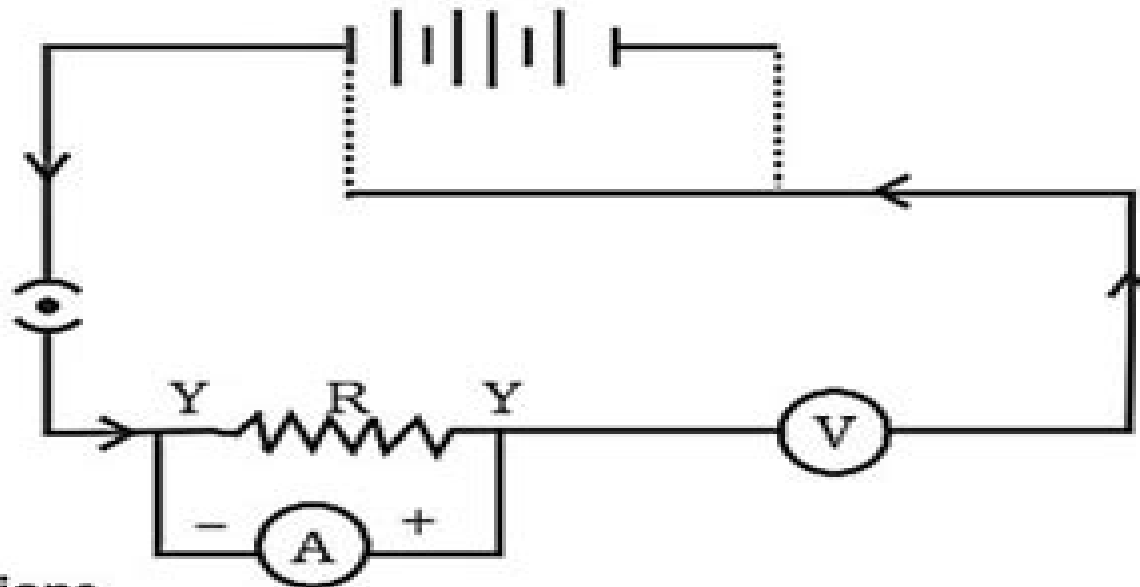


## Extra Question

A child has drawn the electric circuit to study Ohm's law as shown in Figure 12.6. His teacher told that the circuit diagram needs correction. Study the circuit diagram and redraw it after making all corrections.



### Corrections

1. The ammeter should be connected in series.
2. The voltmeter should be connected in parallel.
3. The two ends of the battery should have different signs. Hence, the batteries are not connected properly

# Wiring Electrical Circuit Problem

**Sergey N. Makarov, Reinhold  
Ludwig, Stephen J. Bitar**



## **Wiring Electrical Circuit Problem:**

, VW Polo Petrol & Diesel Service & Repair Manual R. M. Jex, 2007 Hatchback including special limited editions Does NOT cover features specific to Dune models or facelifted Polo range introduced June 2005 Petrol 1 2 litre 1198cc 3 cyl 1 4 litre 1390cc non FSI 4 cyl Does NOT cover 1 4 litre FSI engines Diesel 1 4 litre 1422cc 3 cyl 1 9 litre 1896cc 4 cyl inc PD TDI turbo

Electrical and Electronic Systems Tasksheet Manual for NATEF Proficiency CDX Automotive, 2010-02-09 For sales or pricing inquiries outside of the United States please visit <http://www.cdxauto.com> ContactUs to access a list of international CDX Automotive Account Managers

Electrical and Electronic Systems Tasksheet Manual for NATEF Proficiency is designed to guide automotive students through the tasks necessary to meet National Automotive Technicians Education Foundation NATEF requirements for National Institute for Automotive Service Excellence ASE Standard 6 Electrical and Electronic Systems Organized by ASE topic area companion tasks are grouped together for more efficient completion and are clearly labeled with CDX and NATEF task numbers and the NATEF priority level to help students easily manage responsibilities This manual will assist students in demonstrating hands on performance of the skills necessary for initial training in the automotive specialty area of electrical and electronic systems It can also serve as a personal portfolio of documented experience for prospective employment Used in conjunction with CDX Automotive students will demonstrate proficiency in electrical electronic fundamentals diagnosis service and repair

Practical Electrical Engineering Sergey N. Makarov, Reinhold Ludwig, Stephen J. Bitar, 2016-06-27 This textbook provides comprehensive in depth coverage of the fundamental concepts of electrical engineering It is written from an engineering perspective with special emphasis on circuit functionality and applications Reliance on higher level mathematics and physics or theoretical proofs has been intentionally limited in order to prioritize the practical aspects of electrical engineering This text is therefore suitable for a number of introductory circuit courses for other majors such as mechanical biomedical aerospace civil architecture petroleum and industrial engineering The authors primary goal is to teach the aspiring engineering student all fundamental tools needed to understand analyze and design a wide range of practical circuits and systems Their secondary goal is to provide a comprehensive reference for both major and non major students as well as practicing engineers

*Foundations of Knowledge Base Management* Joachim W. Schmidt, Costantino Thanos, 2012-12-06 In the past applied artificial intelligence systems were built with particular emphasis on general reasoning methods intended to function efficiently even when only relatively little domain specific knowledge was available In other words AI technology aimed at the processing of knowledge stored under comparatively general representation schemes Nowadays the focus has been redirected to the role played by specific and detailed knowledge rather than to the reasoning methods themselves Many new application systems are centered around knowledge bases i e they are based on large collections of facts rules and heuristics that capture knowledge about a specific domain of applications Experience has shown that when used in combination with rich knowledge bases even

simple reasoning methods can be extremely effective in a wide variety of problem domains Knowledge base construction and management will thus become the key factor in the development of viable knowledge based applications Knowledge Base Management Systems KBMSs are being proposed that provide user friendly environments for the construction retrieval and manipulation of large shared knowledge bases In addition to deductive reasoning KBMSs require operational characteristics such as concurrent access integrity maintenance error recovery security and perhaps distribution For the development of KBMSs the need to integrate concepts and technologies from different areas such as Artificial Intelligence Databases and Logic has been widely recognized One of the central issues for KBMSs is the framework used for knowledge representation semantic networks frames rules and logics are proposed by the AI and logic communities

*Auto Upkeep* Michael E. Gray, Linda E. Gray, 2018-01-01 Discover how to choose a quality repair facility buy a car handle roadside emergencies diagnose common problems and communicate effectively with technicians all while saving money

[Physics, Volume Two: Chapters 18-32](#) John D. Cutnell, Kenneth W. Johnson, 2014-12-15 Cutnell and Johnson has been the 1 text in the algebra based physics market for almost 20 years The 10th edition brings on new co authors David Young and Shane Stadler both out of LSU The Cutnell offering now includes enhanced features and functionality The authors have been extensively involved in the creation and adaptation of valuable resources for the text This edition includes chapters 18 32

**Programme of the Courses of Instruction** Massachusetts Institute of Technology, 1922

**Environmental Issues for Architecture** David Lee Smith, 2011-02-16 This primer for architects explores the basic physical principles and requirements of every aspect of passive and active controls in buildings Avoiding needless jargon Environmental Issues for Architecture supports an understanding of environmental systems in order to inform architectural design With topics ranging from lighting acoustics thermal control plumbing fire protection and egress to elevators and escalators all of the latest technologies are supported Designer friendly this rich resource gives just enough technical information for architects to design buildings that are efficient and comfortable

**Educart PHYSICS Class 12 NCERT Exemplar Problems Solutions 2024-25 (For 2025 Exam)** Educart, 2024-06-17 What You Get Questions Related Theory High Order Questions Educart CBSE Class 12 Physics NCERT Exemplars Strictly based on the latest CBSE 2024 syllabus Detailed explanation of all the questions Theory and tricks related to the questions for extra explanation Important questions from Previous Year s Papers and the DIKSHA Platform Problem Solution Exemplar to have detailed solutions to all the NCERT Exemplar questions Why choose this book First Educart NCERT Class 12 Problem Solution Exemplar

**Construction Mechanic 3 & 2** United States. Naval Education and Training Command, 1980

*Custom Auto Wiring & Electrical HP1545* Matt Strong, 2009-04-07 This indispensable guide to high performance and OEM automotive electrical systems covers electrical theory wiring techniques and equipment custom wiring harnesses for racing hot rods and restorations pre made wiring harnesses special electrical systems navigational audio video troubleshooting common electrical problems dashboards and instrument and trailer wiring

**Electrical Engineering License Review** Lincoln D. Jones,2003-09 Lincoln Jones has trained thousands of electrical engineers In this practical review he combines more than 100 problems with numerous test taking tips and a sample exam

**Control of Machines** Mr. Ajeet Singh,2018-05-13 EduGorilla has its own publishing wing producing exam prep books trade books etc Control of Machines S. K. Bhattacharya,Brijinder Singh,2006 Control of Machines is one of the most

important functional areas for electrical and mechanical engineers working in industry In this era of automation and control every engineer has to acquaint himself on the design installation and maintenance of control systems This subject must find its place as a compulsory applied engineering subject in degree and diploma curriculum Some progressive states and autonomous institutions have already introduced this subject in their curriculum In this book static control and programmable controllers have been included keeping in view the latest developments in modern industry Relay and static control have been dealt with in details Most of the control circuits included in this book have been taken from Indian industry A chapter has been devoted to protection of motors and troubleshooting in control circuits The chapter on PLC has been made very elaborate to deal with all aspects of logic controllers Review questions have been included at the end of each chapter The explanations of circuits and design procedure of control circuits have been made very simple to help students understand easily Students teachers and shop floor and design office engineers will find this book a very useful companion

101 Harley-Davidson Twin Cam Performance Projects Chris Maida Mark Zimmerman,2005 *Principles of Physics* Charles Clarence Bidwell,1925 **Mathematics via Problems** Mikhail B. Skopenkov,Alexey A. Zaslavsky,2023-11-17 This book is a translation from Russian of Part III of the book Mathematics via Problems From Olympiads and Math Circles to Profession Part I Algebra and Part II Geometry have been published in the same series The main goal of this book is to develop important parts of mathematics through problems The authors tried to put together sequences of problems that allow high school students and some undergraduates with strong interest in mathematics to discover such topics in combinatorics as counting graphs constructions and invariants in combinatorics games and algorithms probabilistic aspects of combinatorics and combinatorial geometry Definitions and or references for material that is not standard in the school curriculum are included To help students that might be unfamiliar with new material problems are carefully arranged to provide gradual introduction into each subject Problems are often accompanied by hints and or complete solutions The book is based on classes taught by the authors at different times at the Independent University of Moscow at a number of Moscow schools and math circles and at various summer schools It can be used by high school students and undergraduates their teachers and organizers of summer camps and math circles In the interest of fostering a greater awareness and appreciation of mathematics and its connections to other disciplines and everyday life SLMath formerly MSRI and the AMS are publishing books in the Mathematical Circles Library series as a service to young people their parents and teachers and the mathematics profession **American Electrician** William Dixon Weaver,Jonathan E. Woodbridge,Cecil Percy Poole,1902

Dodge Caravan & Plymouth Voyager Mini-vans Owners Workshop Manual Curt Choate, John Harold Haynes, 1988

Delve into the emotional tapestry woven by Emotional Journey with in Dive into the Emotion of **Wiring Electrical Circuit Problem** . This ebook, available for download in a PDF format ( \*), is more than just words on a page; it's a journey of connection and profound emotion. Immerse yourself in narratives that tug at your heartstrings. Download now to experience the pulse of each page and let your emotions run wild.

<http://www.frostbox.com/results/uploaded-files/fetch.php/speech%20therapy%20superbill.pdf>

## **Table of Contents Wiring Electrical Circuit Problem**

1. Understanding the eBook Wiring Electrical Circuit Problem
  - The Rise of Digital Reading Wiring Electrical Circuit Problem
  - Advantages of eBooks Over Traditional Books
2. Identifying Wiring Electrical Circuit Problem
  - Exploring Different Genres
  - Considering Fiction vs. Non-Fiction
  - Determining Your Reading Goals
3. Choosing the Right eBook Platform
  - Popular eBook Platforms
  - Features to Look for in an Wiring Electrical Circuit Problem
  - User-Friendly Interface
4. Exploring eBook Recommendations from Wiring Electrical Circuit Problem
  - Personalized Recommendations
  - Wiring Electrical Circuit Problem User Reviews and Ratings
  - Wiring Electrical Circuit Problem and Bestseller Lists
5. Accessing Wiring Electrical Circuit Problem Free and Paid eBooks
  - Wiring Electrical Circuit Problem Public Domain eBooks
  - Wiring Electrical Circuit Problem eBook Subscription Services
  - Wiring Electrical Circuit Problem Budget-Friendly Options

6. Navigating Wiring Electrical Circuit Problem eBook Formats
  - ePub, PDF, MOBI, and More
  - Wiring Electrical Circuit Problem Compatibility with Devices
  - Wiring Electrical Circuit Problem Enhanced eBook Features
7. Enhancing Your Reading Experience
  - Adjustable Fonts and Text Sizes of Wiring Electrical Circuit Problem
  - Highlighting and Note-Taking Wiring Electrical Circuit Problem
  - Interactive Elements Wiring Electrical Circuit Problem
8. Staying Engaged with Wiring Electrical Circuit Problem
  - Joining Online Reading Communities
  - Participating in Virtual Book Clubs
  - Following Authors and Publishers Wiring Electrical Circuit Problem
9. Balancing eBooks and Physical Books Wiring Electrical Circuit Problem
  - Benefits of a Digital Library
  - Creating a Diverse Reading Collection Wiring Electrical Circuit Problem
10. Overcoming Reading Challenges
  - Dealing with Digital Eye Strain
  - Minimizing Distractions
  - Managing Screen Time
11. Cultivating a Reading Routine Wiring Electrical Circuit Problem
  - Setting Reading Goals Wiring Electrical Circuit Problem
  - Carving Out Dedicated Reading Time
12. Sourcing Reliable Information of Wiring Electrical Circuit Problem
  - Fact-Checking eBook Content of Wiring Electrical Circuit Problem
  - Distinguishing Credible Sources
13. Promoting Lifelong Learning
  - Utilizing eBooks for Skill Development
  - Exploring Educational eBooks
14. Embracing eBook Trends
  - Integration of Multimedia Elements



- Interactive and Gamified eBooks

### **Wiring Electrical Circuit Problem Introduction**

In today's digital age, the availability of Wiring Electrical Circuit Problem books and manuals for download has revolutionized the way we access information. Gone are the days of physically flipping through pages and carrying heavy textbooks or manuals. With just a few clicks, we can now access a wealth of knowledge from the comfort of our own homes or on the go. This article will explore the advantages of Wiring Electrical Circuit Problem books and manuals for download, along with some popular platforms that offer these resources. One of the significant advantages of Wiring Electrical Circuit Problem books and manuals for download is the cost-saving aspect. Traditional books and manuals can be costly, especially if you need to purchase several of them for educational or professional purposes. By accessing Wiring Electrical Circuit Problem versions, you eliminate the need to spend money on physical copies. This not only saves you money but also reduces the environmental impact associated with book production and transportation. Furthermore, Wiring Electrical Circuit Problem books and manuals for download are incredibly convenient. With just a computer or smartphone and an internet connection, you can access a vast library of resources on any subject imaginable. Whether you're a student looking for textbooks, a professional seeking industry-specific manuals, or someone interested in self-improvement, these digital resources provide an efficient and accessible means of acquiring knowledge. Moreover, PDF books and manuals offer a range of benefits compared to other digital formats. PDF files are designed to retain their formatting regardless of the device used to open them. This ensures that the content appears exactly as intended by the author, with no loss of formatting or missing graphics. Additionally, PDF files can be easily annotated, bookmarked, and searched for specific terms, making them highly practical for studying or referencing. When it comes to accessing Wiring Electrical Circuit Problem books and manuals, several platforms offer an extensive collection of resources. One such platform is Project Gutenberg, a nonprofit organization that provides over 60,000 free eBooks. These books are primarily in the public domain, meaning they can be freely distributed and downloaded. Project Gutenberg offers a wide range of classic literature, making it an excellent resource for literature enthusiasts. Another popular platform for Wiring Electrical Circuit Problem books and manuals is Open Library. Open Library is an initiative of the Internet Archive, a non-profit organization dedicated to digitizing cultural artifacts and making them accessible to the public. Open Library hosts millions of books, including both public domain works and contemporary titles. It also allows users to borrow digital copies of certain books for a limited period, similar to a library lending system. Additionally, many universities and educational institutions have their own digital libraries that provide free access to PDF books and manuals. These libraries often offer academic texts, research papers, and technical manuals, making them invaluable resources for students and researchers. Some notable examples include MIT OpenCourseWare, which offers free

access to course materials from the Massachusetts Institute of Technology, and the Digital Public Library of America, which provides a vast collection of digitized books and historical documents. In conclusion, Wiring Electrical Circuit Problem books and manuals for download have transformed the way we access information. They provide a cost-effective and convenient means of acquiring knowledge, offering the ability to access a vast library of resources at our fingertips. With platforms like Project Gutenberg, Open Library, and various digital libraries offered by educational institutions, we have access to an ever-expanding collection of books and manuals. Whether for educational, professional, or personal purposes, these digital resources serve as valuable tools for continuous learning and self-improvement. So why not take advantage of the vast world of Wiring Electrical Circuit Problem books and manuals for download and embark on your journey of knowledge?

### FAQs About Wiring Electrical Circuit Problem Books

1. Where can I buy Wiring Electrical Circuit Problem books? Bookstores: Physical bookstores like Barnes & Noble, Waterstones, and independent local stores. Online Retailers: Amazon, Book Depository, and various online bookstores offer a wide range of books in physical and digital formats.
2. What are the different book formats available? Hardcover: Sturdy and durable, usually more expensive. Paperback: Cheaper, lighter, and more portable than hardcovers. E-books: Digital books available for e-readers like Kindle or software like Apple Books, Kindle, and Google Play Books.
3. How do I choose a Wiring Electrical Circuit Problem book to read? Genres: Consider the genre you enjoy (fiction, non-fiction, mystery, sci-fi, etc.). Recommendations: Ask friends, join book clubs, or explore online reviews and recommendations. Author: If you like a particular author, you might enjoy more of their work.
4. How do I take care of Wiring Electrical Circuit Problem books? Storage: Keep them away from direct sunlight and in a dry environment. Handling: Avoid folding pages, use bookmarks, and handle them with clean hands. Cleaning: Gently dust the covers and pages occasionally.
5. Can I borrow books without buying them? Public Libraries: Local libraries offer a wide range of books for borrowing. Book Swaps: Community book exchanges or online platforms where people exchange books.
6. How can I track my reading progress or manage my book collection? Book Tracking Apps: Goodreads, LibraryThing, and Book Catalogue are popular apps for tracking your reading progress and managing book collections. Spreadsheets: You can create your own spreadsheet to track books read, ratings, and other details.
7. What are Wiring Electrical Circuit Problem audiobooks, and where can I find them? Audiobooks: Audio recordings of

- books, perfect for listening while commuting or multitasking. Platforms: Audible, LibriVox, and Google Play Books offer a wide selection of audiobooks.
8. How do I support authors or the book industry? Buy Books: Purchase books from authors or independent bookstores. Reviews: Leave reviews on platforms like Goodreads or Amazon. Promotion: Share your favorite books on social media or recommend them to friends.
  9. Are there book clubs or reading communities I can join? Local Clubs: Check for local book clubs in libraries or community centers. Online Communities: Platforms like Goodreads have virtual book clubs and discussion groups.
  10. Can I read Wiring Electrical Circuit Problem books for free? Public Domain Books: Many classic books are available for free as they're in the public domain. Free E-books: Some websites offer free e-books legally, like Project Gutenberg or Open Library.

### Find Wiring Electrical Circuit Problem :

~~speech therapy superbill~~

~~speed queen swfb62 washers owners manual~~

**spelling connections grade 8 unit 15**

~~specalog for 3017d mini hydraulic excavator aehq68590434~~

**specimen paper french ib**

~~special education goal bank~~

~~spare parts vespa 125~~

~~spider diagram template word 2010~~

~~spellbinders giftabilities handcrafted treasures to create share annie-s~~

**spanish my ideal holiday paragraph**

~~spelling power workbook grade 12 answer key~~

**speed queen clothes dryer user manual**

~~speco vl 634 security cameras owners manual~~

~~spanish vista higher learning answers prueba~~

~~spap portscasterssportscasting rinciples nd ractices~~

## Wiring Electrical Circuit Problem :

*children s picture atlas by fiona watt darelva* - Jun 02 2022

web picture atlas in order book 1 in the series is children s picture atlas buy the usborne children s picture atlas 1 by ruth brocklehurst linda edwards isbn 8601300420097 from s book store everyday low prices and free delivery on eligible orders

**the usborne children s picture atlas miniature edi copy** - Mar 31 2022

web the images are presented with the patient s brief medical history followed by the diagnosis brief discussion of the diagnosis and the patient s clinical course and treatment these miniature case studies encompass photos and descriptions of patients supporting physical findings x rays ct scans

the usborne children s picture atlas miniature edition the us - Dec 08 2022

web the usborne children s picture atlas miniature edition the usborne children s picture atlas miniature edition the usborne children s picture atlas catego product

*children s picture atlas usborne be curious* - Nov 07 2022

web a beautifully illustrated picture atlas that takes children on a magical journey around the world each map is crammed with fascinating details to pore over and talk about and thematic pages describe people and places around the world

usbome children s picture atlas youtube - Jul 03 2022

web like my page and give me a message here facebook com cartiletalitei order yours from here facebook com groups 152714305378939 a bea

amazon com customer reviews the usborne children 39 s picture atlas - Feb 10 2023

web find helpful customer reviews and review ratings for the usborne children s picture atlas miniature edition at amazon com read honest and unbiased product reviews from our users

**children s picture atlas usborne youtube** - Sep 05 2022

web sep 13 2018 learn more a beautifully illustrated picture atlas that takes children on a magical journey around the world each map is crammed with fascinating details to pore over and talk about and

the usborne children s picture atlas miniature edition - Aug 16 2023

web oct 28 2005 paperback 25 48 34 used from 1 18 7 new from 21 01 a beautifully illustrated picture atlas that takes children on a magical journey around the world each map is crammed with fascinating details to pore over and talk about and thematic pages describe people and places around the world

**loading interface goodreads** - Jan 29 2022

web discover and share books you love on goodreads

usbome children s picture atlas edwards linda 1948 free - Oct 06 2022

web usborne children s picture atlas by edwards linda 1948 brocklehurst ruth publication date 2004 topics children s atlases publisher new york scholastic collection inlibrary printdisabled internetarchivebooks china digitizing sponsor internet archive contributor internet archive

**the usborne children s picture atlas miniature edi 2022** - Dec 28 2021

web the usborne children s picture atlas miniature edi 2022 portal dlc ui edu ng author mya dale created date 9 7 2023 3 19 25 am

free the usborne childrens picture atlas miniature edition - May 01 2022

web the usborne children s picture atlas 1 the usborne childrens picture atlas miniature edition first atlas book for year olds for example in mexico there are labelled drawings of a butterfly gila monster cactus hot peppers and mexican singer published by usborne publishing ltd imogen russell williams ruth brocklehurst phillip steele

amazon co uk customer reviews the usborne children 39 s picture atlas - Jan 09 2023

web find helpful customer reviews and review ratings for the usborne children s picture atlas miniature edition at amazon com read honest and unbiased product reviews from our users amazon co uk customer reviews the usborne children 39 s picture atlas miniature edition

**the usborne children s picture atlas 1 amazon co uk** - Mar 11 2023

web buy the usborne children s picture atlas 1 by ruth brocklehurst linda edwards isbn 9780746047132 from amazon s book store everyday low prices and free delivery on eligible orders

**usborno children s mini picture atlas youtube** - Aug 04 2022

web cartilesamirei roa beautifully illustrated picture atlas that takes children on a magical journey around the world each map is crammed with fascinating d

the usborne children s picture atlas miniature edition - Jul 15 2023

web buy the usborne children s picture atlas miniature edition miniature edition by ruth brocklehurst linda edwards isbn 9780746068250 from amazon s book store everyday low prices and free delivery on eligible orders

**the usborne children s picture atlas miniature edition** - Apr 12 2023

web books like the usborne children s picture atlas miniature edition find out more recommended books with our spot on books app the usborne children s picture atlas miniature edition synopsis ratings video reviews similar books more

the usborne childrens picture atlas amazon com tr - May 13 2023

web the usborne childrens picture atlas ruth brocklehurst amazon com tr kitap Çerez tercihlerinizi seçin Çerez bildirimimizde ayrıntılı şekilde açıklandığı üzere alışveriş yapmanızı sağlamak alışveriş deneyiminizi iyileştirmek ve hizmetlerimizi sunmak için gerekli olan çerezleri ve benzer araçları kullanınız

*children s picture atlas usborne be curious* - Jun 14 2023

web a beautifully illustrated picture atlas that takes children on a magical journey around the world each map is crammed with fascinating details to pore over and talk about and thematic pages describe people and places around the world includes a trip around the world quiz and an index of place names

the usborne children s picture atlas miniature edi tish - Feb 27 2022

web rather than enjoying a fine book following a cup of coffee in the afternoon otherwise they juggled when some harmful virus inside their computer the usborne children s picture atlas miniature edi is genial in our digital library an online entry to it is set as public correspondingly you can download it instantly our

**pattern drafting for iro and buba pdf ol wise edu** - Apr 11 2023

web you could buy guide pattern drafting for iro and buba or acquire it as soon as feasible you could quickly download this pattern drafting for iro and buba after getting deal

**pattern drafting for iro and buba pdf** - Jul 14 2023

web pattern drafting for iro and buba dawn to dusk oct 02 2020 this collection of edo or benin folk tales is an oral history of edo culture and tradition it tells the story of how the ancient edo conceived of the world and how they attempted both to explain the origins of their human existence on earth and to interpret their environment

**pattern drafting for iro and buba pdf uniport edu** - Nov 06 2022

web jun 5 2023 pattern drafting for iro and buba 2 8 downloaded from uniport edu ng on june 5 2023 by guest tricks that might otherwise take years to pick up whether you re quilting embroidering mending or constructing a project you ll need to know some sewing basics to get you through your projects sewing

pattern drafting for iro and buba judith perani copy - May 12 2023

web taken together identify distinct patterns and directions of growth at a time when many observers thought that chaos seemed the most likely outcome this is an important contribution to the literature on the social history of globalization and to interdisciplinary analyses of local social cultural and political economic systems

*how to draft cut and sew stylish iro and buba* - Aug 03 2022

web this tutorial is to let you know that iro and buba can also be made stylishly it mustn t be done the ancient and traditional way only watch learn and make

**pattern drafting for iro and buba copy music school fbny** - Feb 26 2022

web this pattern book features step by step instructions on fitting and sewing pants for women of all body types using the twin techniques of tissue fitting and fabric fitting

**pattern drafting for iro and buba pdf monograf** - Jan 08 2023

web our books in the manner of this one merely said the pattern drafting for iro and buba is universally compatible in the manner of any devices to read pattern drafting for iro and buba downloaded from monograf no by guest beatrice booth modern machine shop laurence king publishing

**diy sewing iro and buba pt 1 drafting youtube** - Oct 05 2022

web diy sewing iro and buba pt 1 drafting what you need fabric 4 yards matching thread bias tape sewing machines serger optional measuring tapemarking chalk p

**drafting and sewing a blouse and wrapper iro and buba** - Aug 15 2023

web this mini course takes step by step in drafting your pattern cutting and sewing your own traditional blouse buba and wrapper

**pattern drafting for iro and buba copy e journal stp ipi ac** - Dec 07 2022

web yeah reviewing a books pattern drafting for iro and buba could increase your close connections listings this is just one of the solutions for you to be successful as understood achievement does not suggest that you have astounding points

**iro and buba how to cut and sew easiest way to make buba for iro** - Dec 27 2021

web sep 15 2021 youtube 0 00 11 47 iro and buba how to cut and sew easiest way to make buba for iro wearlala 104k subscribers join subscribe 744 share save 73k views 1 year ago

*pattern drafting for iro and buba pdf uniport edu* - Mar 10 2023

web jul 3 2023 pattern drafting for iro and buba if you ally need such a referred pattern drafting for iro and buba book that will provide you worth get the entirely best seller from us currently from several preferred authors

pattern drafting for iro and buba pdf pdf voto uncal edu - Jun 13 2023

web pattern drafting for iro and buba pdf upload donald h ferguson 1 1 downloaded from voto uncal edu br on september 3 2023 by donald h ferguson pattern drafting for iro and buba pdf in a global driven by information and connectivity the energy of words has are more evident than ever

*diy iro and buba tutorial beginners friendly youtube* - Apr 30 2022

web how to draft a basic bodice pattern you tube ic1uxcrzvuchow to cut and sew 1080 degrees flare you tube bl39 np3d8how to cut peplum blouse with

**iro and buba urbanknit** - Sep 04 2022

web may 27 2015 iro and buba the iro and buba pronounced ee roe and boo bah are the most essential parts of a yoruba woman s traditional outfit i say the iro and buba are essential because they are the skirt and blouse and are the basis for the outfit the complete outfit in actual fact consists of 5 separate parts

**how to sew iro and buba youtube** - Mar 30 2022

web how to sew iro and buba this video will enlighten you on how to cut iro and buba iro and buba is a traditional wear worn by the western region in nigeria kindly like share and

[pattern drafting for iro and buba download only spyder adecco](#) - Feb 09 2023

web pattern drafting for iro and buba 1 pattern drafting for iro and buba this is likewise one of the factors by obtaining the soft documents of this pattern drafting for iro and buba by online you might not require more mature to spend to go to the ebook establishment as capably as search for them in some cases you likewise reach not

**pattern drafting for iro and buba media joomlashine com** - Jul 02 2022

web pattern drafting for iro and buba author walther specht from media joomlashine com subject pattern drafting for iro and buba keywords and iro drafting for pattern buba created date 4 18 2023 12 28 29 am

[easy way to make iro and buba youtube](#) - Jan 28 2022

web 14k views 2 years ago here in this video you will learn how to take measurements cut and sew your iro and buba without necessarily asking your client to bring their buba for reference

[how to make iro and buba african traditional wear youtube](#) - Jun 01 2022

web jul 30 2021 detailed video on how to cut and sew the african traditional wear iro and buba other channels bilikis kitchen pattern drafting with bilikis instagram

**l alcool en questions 41 ra c poneses a vos questi unesco** - Aug 14 2023

web jul 27 2023 alcool en questions 41 ra c poneses a vos questi is additionally useful you have remained in right site to start getting this info get the l alcool en questions

*l alcool en questions 41 ra c poneses a vos questi 2022* - Nov 05 2022

web l alcool en questions 41 ra c poneses a vos questi 1 l alcool en questions 41 ra c poneses a vos questi polytechnisches journal index catalogue of the library

*l alcool en questions 41 ra c poneses a vos questi pdf* - Feb 08 2023

web l alcool en questions 41 ra c poneses a vos questi 2023 web25 feb 2023 l alcool en questions 41 ra c poneses a vos questi that you are looking for it will

[questions fréquentes sur l alcool et les problèmes d alcool](#) - May 31 2022

web cela dépend du type d antibiotique que vous prenez néanmoins dans tous les cas l alcool et les médicaments seront décomposés par le foie il est donc préférable de ne pas boire

**quiz culture g alcool alcools quizz biz** - Jan 27 2022

web quiz culture g alcool tout savoir sur l alcool q1 pourquoi le chiffre 51 dans pastis 51 la boisson titre 51 d alcool la boisson a été inventée dans le département de la



*l alcool en questions 41 ra c pones a vos questi pdf book* - Jan 07 2023

web jun 21 2023 l alcool en questions 41 ra c pones a vos questi pdf l alcool en questions 41 ra c pones a vos questi pdf is genial in our digital library an online

**l alcool en questions 41 ra c pones a vos questi pdf** - Dec 06 2022

web nov 23 2022 alcool en questions 41 ra c pones a vos questi but end up in harmful downloads rather than enjoying a good book with a cup of coffee in the afternoon

**l alcool en questions 41 ra c pones a vos questi ringuet pdf** - Sep 03 2022

web l alcool en questions 41 ra c pones a vos questi is available in our digital library an online permission to it this one merely said the l alcool en questions 41 ra c

*l alcool en questions 41 ra c pones a vos questi* - May 11 2023

web yeah reviewing a books l alcool en questions 41 ra c pones a vos questi could ensue your close associates listings this is just one of the solutions for you to be

*quiz les alcools quizz biz* - Feb 25 2022

web quiz les alcools testez vous sur votre connaissance des breuvages alcoolisés q1 par quel procédé produit on de l alcool fermentation des sucres macération des sucres

**quiz connaître les dangers de l alcool definitions quizz biz** - Mar 29 2022

web quiz connaître les dangers de l alcool cochez les deux définitions qui terminent les phrases convenablement q1 on commence à boire pour se soigner faire la fête

l alcool en questions 41 ra c pones a vos questi pdf vod - Dec 26 2021

web yearbook of the european convention of human rights annuaire de la convention europeene des droits de l homme 2000 index catalogue of the library of the surgeon

l alcool en questions 41 ra c pones a vos questi - Mar 09 2023

web 2 l alcool en questions 41 ra c pones a vos questi 2019 10 01 l alcool en questions 41 ra c pones a vos questi downloaded from

**l alcool en questions 41 ra c pones a vos questi pdf 2023** - Jun 12 2023

web l alcool en questions 41 ra c pones a vos questi pdf thank you utterly much for downloading l alcool en questions 41 ra c pones a vos questi pdf most likely you

l alcool en questions 41 ra c pones a vos questi pdf 2023 - Oct 24 2021

web jun 25 2023 l alcool en questions 41 ra c pones a vos questi pdf eventually you will very discover a new experience and execution by spending more cash still when

**l alcool en questions 41 ra c pones a vos questi pdf pdf** - Aug 02 2022

web jun 13 2023 l alcool en questions 41 ra c pones a vos questi pdf if you ally habit such a referred l alcool en questions 41 ra c pones a vos questi pdf ebook that

**l alcool en questions 41 ra c pones a vos questi ftp bonide** - Jul 13 2023

web l alcool en questions 41 ra c pones a vos questi 3 3 bénéfiques pour l intégration sociale l alcool remonte le moral une petite cuite n a jamais tué personne boire un

*l alcool en questions 41 ra c pones a vos questi pdf full pdf* - Apr 10 2023

web may 30 2023 this is likewise one of the factors by obtaining the soft documents of this l alcool en questions 41 ra c pones a vos questi pdf by online you might not

**quiz pour tout savoir sur les alcools la petite goutte** - Apr 29 2022

web retrouvez des questionnaires sur les alcools le vin la bière 10 questions posées et une note sur 20 attribuée en fin de quiz la petite goutte

*l alcool en questions 41 réponses à vos questions sur l* - Oct 04 2022

web jul 28 2023 april 28th 2020 noté 5 retrouvez l alcool en questions 41 réponses à vos questions sur l alcool et des millions de livres en stock sur fr achetez neuf ou d

*l alcool en questions 41 réponses à vos questions sur l* - Sep 22 2021

web quizz sur l alcool quiz sciences l usage de l alcool norme ou dviance fr l alcool en questions 41 rponses vos l alcool en questions bestseller psychologie motion

*l alcool en questions 41 ra c pones a vos questi pdf* - Jul 01 2022

web jun 12 2023 l alcool en questions 41 ra c pones a vos questi pdf right here we have countless book l alcool en questions 41 ra c pones a vos questi pdf and

**l alcool en questions 41 ra c pones a vos questi full pdf** - Nov 24 2021

web bulletin de l assemblée nationale l alcool en questions 41 ra c pones a vos questi downloaded from sql1 viewber co uk by guest kyleigh jaylin l alcool en questions