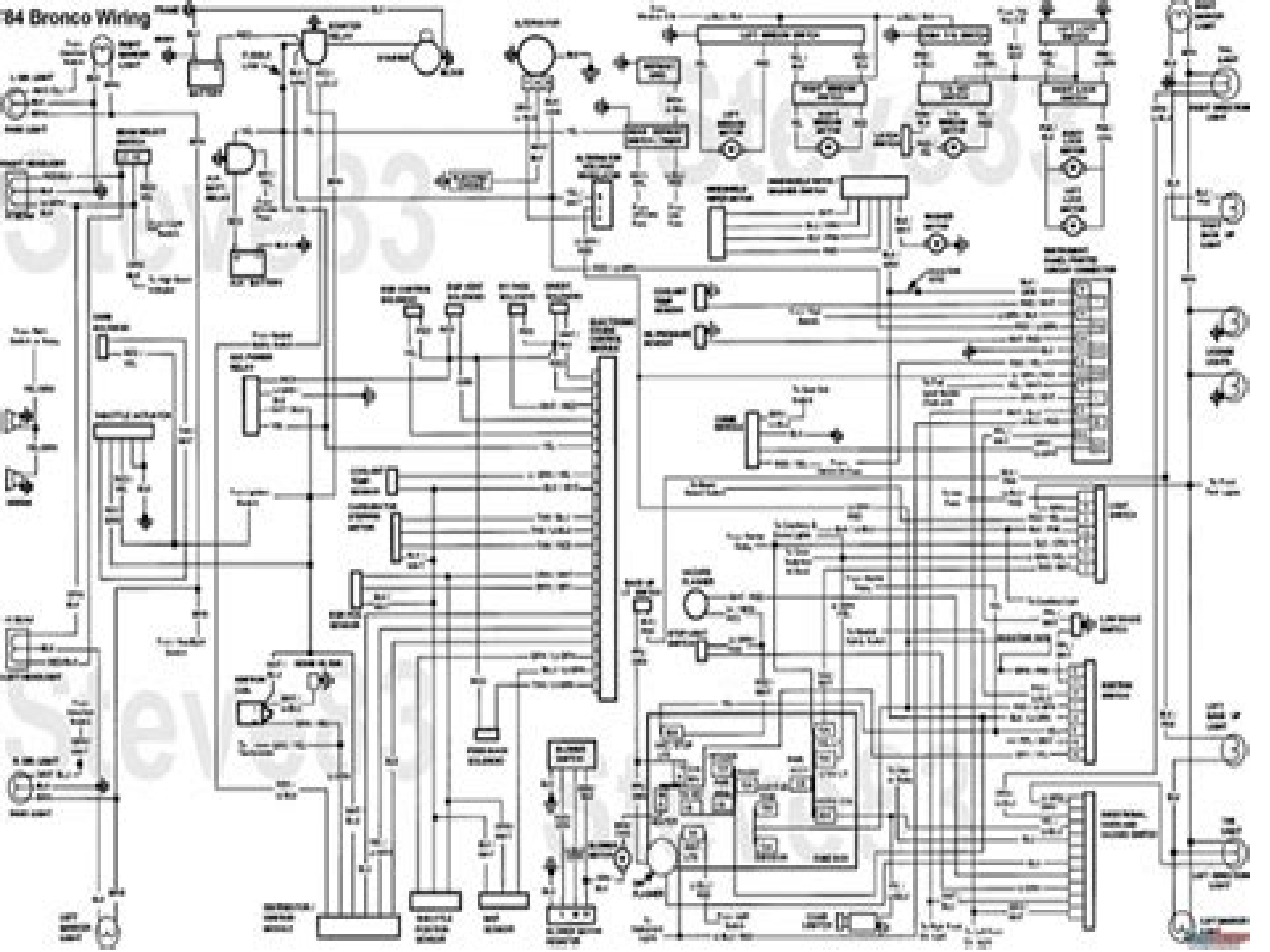


84 Bronco Wiring



Wiring Diagram 1999 Mastercraft

Joacim Rocklöv



Wiring Diagram 1999 Mastercraft:

Delve into the emotional tapestry woven by in Experience **Wiring Diagram 1999 Mastercraft** . This ebook, available for download in a PDF format (PDF Size: *), is more than just words on a page; it's a journey of connection and profound emotion. Immerse yourself in narratives that tug at your heartstrings. Download now to experience the pulse of each page and let your emotions run wild.

<http://www.frostbox.com/About/publication/default.aspx/Technical%20Analysis%20Point%20Figure%20Chart.pdf>

Table of Contents Wiring Diagram 1999 Mastercraft

1. Understanding the eBook Wiring Diagram 1999 Mastercraft
 - The Rise of Digital Reading Wiring Diagram 1999 Mastercraft
 - Advantages of eBooks Over Traditional Books
2. Identifying Wiring Diagram 1999 Mastercraft
 - Exploring Different Genres
 - Considering Fiction vs. Non-Fiction
 - Determining Your Reading Goals
3. Choosing the Right eBook Platform
 - Popular eBook Platforms
 - Features to Look for in an Wiring Diagram 1999 Mastercraft
 - User-Friendly Interface
4. Exploring eBook Recommendations from Wiring Diagram 1999 Mastercraft
 - Personalized Recommendations
 - Wiring Diagram 1999 Mastercraft User Reviews and Ratings
 - Wiring Diagram 1999 Mastercraft and Bestseller Lists
5. Accessing Wiring Diagram 1999 Mastercraft Free and Paid eBooks
 - Wiring Diagram 1999 Mastercraft Public Domain eBooks
 - Wiring Diagram 1999 Mastercraft eBook Subscription Services
 - Wiring Diagram 1999 Mastercraft Budget-Friendly Options

6. Navigating Wiring Diagram 1999 Mastercraft eBook Formats
 - ePub, PDF, MOBI, and More
 - Wiring Diagram 1999 Mastercraft Compatibility with Devices
 - Wiring Diagram 1999 Mastercraft Enhanced eBook Features
7. Enhancing Your Reading Experience
 - Adjustable Fonts and Text Sizes of Wiring Diagram 1999 Mastercraft
 - Highlighting and Note-Taking Wiring Diagram 1999 Mastercraft
 - Interactive Elements Wiring Diagram 1999 Mastercraft
8. Staying Engaged with Wiring Diagram 1999 Mastercraft
 - Joining Online Reading Communities
 - Participating in Virtual Book Clubs
 - Following Authors and Publishers Wiring Diagram 1999 Mastercraft
9. Balancing eBooks and Physical Books Wiring Diagram 1999 Mastercraft
 - Benefits of a Digital Library
 - Creating a Diverse Reading Collection Wiring Diagram 1999 Mastercraft
10. Overcoming Reading Challenges
 - Dealing with Digital Eye Strain
 - Minimizing Distractions
 - Managing Screen Time
11. Cultivating a Reading Routine Wiring Diagram 1999 Mastercraft
 - Setting Reading Goals Wiring Diagram 1999 Mastercraft
 - Carving Out Dedicated Reading Time
12. Sourcing Reliable Information of Wiring Diagram 1999 Mastercraft
 - Fact-Checking eBook Content of Wiring Diagram 1999 Mastercraft
 - Distinguishing Credible Sources
13. Promoting Lifelong Learning
 - Utilizing eBooks for Skill Development
 - Exploring Educational eBooks
14. Embracing eBook Trends
 - Integration of Multimedia Elements

- Interactive and Gamified eBooks

Wiring Diagram 1999 Mastercraft Introduction

In the digital age, access to information has become easier than ever before. The ability to download Wiring Diagram 1999 Mastercraft has revolutionized the way we consume written content. Whether you are a student looking for course material, an avid reader searching for your next favorite book, or a professional seeking research papers, the option to download Wiring Diagram 1999 Mastercraft has opened up a world of possibilities. Downloading Wiring Diagram 1999 Mastercraft provides numerous advantages over physical copies of books and documents. Firstly, it is incredibly convenient. Gone are the days of carrying around heavy textbooks or bulky folders filled with papers. With the click of a button, you can gain immediate access to valuable resources on any device. This convenience allows for efficient studying, researching, and reading on the go. Moreover, the cost-effective nature of downloading Wiring Diagram 1999 Mastercraft has democratized knowledge. Traditional books and academic journals can be expensive, making it difficult for individuals with limited financial resources to access information. By offering free PDF downloads, publishers and authors are enabling a wider audience to benefit from their work. This inclusivity promotes equal opportunities for learning and personal growth. There are numerous websites and platforms where individuals can download Wiring Diagram 1999 Mastercraft. These websites range from academic databases offering research papers and journals to online libraries with an expansive collection of books from various genres. Many authors and publishers also upload their work to specific websites, granting readers access to their content without any charge. These platforms not only provide access to existing literature but also serve as an excellent platform for undiscovered authors to share their work with the world. However, it is essential to be cautious while downloading Wiring Diagram 1999 Mastercraft. Some websites may offer pirated or illegally obtained copies of copyrighted material. Engaging in such activities not only violates copyright laws but also undermines the efforts of authors, publishers, and researchers. To ensure ethical downloading, it is advisable to utilize reputable websites that prioritize the legal distribution of content. When downloading Wiring Diagram 1999 Mastercraft, users should also consider the potential security risks associated with online platforms. Malicious actors may exploit vulnerabilities in unprotected websites to distribute malware or steal personal information. To protect themselves, individuals should ensure their devices have reliable antivirus software installed and validate the legitimacy of the websites they are downloading from. In conclusion, the ability to download Wiring Diagram 1999 Mastercraft has transformed the way we access information. With the convenience, cost-effectiveness, and accessibility it offers, free PDF downloads have become a popular choice for students, researchers, and book lovers worldwide. However, it is crucial to engage in ethical downloading practices and prioritize personal security when utilizing online platforms. By doing so, individuals can make the most of the vast array of free PDF resources available

and embark on a journey of continuous learning and intellectual growth.

FAQs About Wiring Diagram 1999 Mastercraft Books

How do I know which eBook platform is the best for me? Finding the best eBook platform depends on your reading preferences and device compatibility. Research different platforms, read user reviews, and explore their features before making a choice. Are free eBooks of good quality? Yes, many reputable platforms offer high-quality free eBooks, including classics and public domain works. However, make sure to verify the source to ensure the eBook credibility. Can I read eBooks without an eReader? Absolutely! Most eBook platforms offer webbased readers or mobile apps that allow you to read eBooks on your computer, tablet, or smartphone. How do I avoid digital eye strain while reading eBooks? To prevent digital eye strain, take regular breaks, adjust the font size and background color, and ensure proper lighting while reading eBooks. What the advantage of interactive eBooks? Interactive eBooks incorporate multimedia elements, quizzes, and activities, enhancing the reader engagement and providing a more immersive learning experience. Wiring Diagram 1999 Mastercraft is one of the best book in our library for free trial. We provide copy of Wiring Diagram 1999 Mastercraft in digital format, so the resources that you find are reliable. There are also many Ebooks of related with Wiring Diagram 1999 Mastercraft. Where to download Wiring Diagram 1999 Mastercraft online for free? Are you looking for Wiring Diagram 1999 Mastercraft PDF? This is definitely going to save you time and cash in something you should think about. If you trying to find then search around for online. Without a doubt there are numerous these available and many of them have the freedom. However without doubt you receive whatever you purchase. An alternate way to get ideas is always to check another Wiring Diagram 1999 Mastercraft. This method for see exactly what may be included and adopt these ideas to your book. This site will almost certainly help you save time and effort, money and stress. If you are looking for free books then you really should consider finding to assist you try this. Several of Wiring Diagram 1999 Mastercraft are for sale to free while some are payable. If you arent sure if the books you would like to download works with for usage along with your computer, it is possible to download free trials. The free guides make it easy for someone to free access online library for download books to your device. You can get free download on free trial for lots of books categories. Our library is the biggest of these that have literally hundreds of thousands of different products categories represented. You will also see that there are specific sites catered to different product types or categories, brands or niches related with Wiring Diagram 1999 Mastercraft. So depending on what exactly you are searching, you will be able to choose e books to suit your own need. Need to access completely for Campbell Biology Seventh Edition book? Access Ebook without any digging. And by having access to our ebook online or by storing it on your computer, you have convenient answers with Wiring Diagram 1999 Mastercraft To get started finding Wiring Diagram 1999

Mastercraft, you are right to find our website which has a comprehensive collection of books online. Our library is the biggest of these that have literally hundreds of thousands of different products represented. You will also see that there are specific sites catered to different categories or niches related with Wiring Diagram 1999 Mastercraft So depending on what exactly you are searching, you will be able to choose ebook to suit your own need. Thank you for reading Wiring Diagram 1999 Mastercraft. Maybe you have knowledge that, people have search numerous times for their favorite readings like this Wiring Diagram 1999 Mastercraft, but end up in harmful downloads. Rather than reading a good book with a cup of coffee in the afternoon, instead they juggled with some harmful bugs inside their laptop. Wiring Diagram 1999 Mastercraft is available in our book collection an online access to it is set as public so you can download it instantly. Our digital library spans in multiple locations, allowing you to get the most less latency time to download any of our books like this one. Merely said, Wiring Diagram 1999 Mastercraft is universally compatible with any devices to read.

Find Wiring Diagram 1999 Mastercraft :

[technical analysis point figure chart](#)

[telecom testing guide](#)

tecumseh lv156xa manual

[technical manual for engineer equipment trailer](#)

[telephone buying guide](#)

teks staar spiraled practice 21 grade 8 answers

teksing the staar seventh grade

[technical guide no 144](#)

[telecor 2400 manual](#)

[technical manual filetype](#)

tekla macro connection manual

[teksing toward staar math 3rd grade](#)

[technical analysis of stock trends book review](#)

teco boom repair manual

[tektronix 2225 operator manual](#)

Wiring Diagram 1999 Mastercraft :

[academic program aspentech](#) - Dec 07 2022

web enhance your knowledge with discounted elearning and expert led training aspen elearning is self paced training to help you solve complex process engineering and operational problems our expert led training classes provide comprehensive personalized guidance to help you solve industry relevant problems using aspentech solutions

[aspen hysys migration to v8 aspentech](#) - Jun 13 2023

web training details course id ehy208 duration 1 day s ceus awarded 0 7 level intermediate benefits update your existing aspen hysys skills to quickly migrate to the new user interface stay current with the new standards for aspen hysys process simulation prepares existing users for advanced courses using the new user interface

[aspen classroom learning course catalog aspentech](#) - Jan 08 2023

web learn aspen ots framework using aspen plus dynamics or aspen hysys dynamics 2 days basic prerequisites none learning outcomes use configure and implement aspen ots to design operator training simulator explain the concepts of opc server and opc client use plant view resources ehy101 aspen hysys process modeling

aspentech training center - Apr 30 2022

web aspen real time statistical process control analyzer mes235 aspen real time spc using and configuring in aspenone process explorer sep 20 2023 2023 09 20 sep 21 2023 2023 09 21 public classroom houston tx address 2500 citywest blvd suite 1600houstontexas77042 usa intermediate

[aspen hysys dynamics training course researchgate](#) - Dec 27 2021

web exchange in aspen hysys v8 0 click the exchange button in the get started tab on the ribbon figure 1 in aspen hysys v8 2 and higher aspenone exchange automatically launches when you open the

[introduction to process modeling using aspen hysys includes](#) - Sep 04 2022

web training details course id ehy101 duration 3 day s ceus awarded 2 1 level introductory benefits leverage the intuitive solving capabilities and other key features of aspen hysys that allow for rapid flowsheet construction discover how multi flowsheet integration can streamline and organize simulation efforts

[aspen hysys user certification exam aspentech](#) - Jul 02 2022

web an aspen hysys certified user will allow you to have the in depth understanding and practical skills required to build models and interpret results using aspen hysys the certified user is also capable of applying simulation skills to solve real world problems and achieve their sustainability goals ceus for training classes conducted by

aspen hysys v8 training harvard university - Feb 26 2022

web aspen hysys v8 training aspen hysys v8 training eventually you will no question discover a additional experience and

talent by spending more cash still when reach you agree to that you require to get those every needs subsequent to having significantly cash why dont you attempt to acquire something basic in the beginning

aspentech university - Mar 10 2023

web aspen expert led training learn apply succeed aspentech offers training options that fits every schedule and learning preference delivered virtual or in person our trainings are guided by experts or learn at your own pace with our extensive digital library of

aspentech incorporations aspen hysys v8 8 academia edu - Jan 28 2022

web this book discusses the full aspects concerning the petroleum refinery starting from its history reaching a plant design for the products refinery processes and naphtha processing with the help of an industrial simulation programs such as aspen hysys

introduction to process simulation using aspen hysys skill lync - Jun 01 2022

web skilllync mechanicalengineering aspenhysys here is the part 1 of the exclusive workshop video on process simulation using aspen hysys in this video we co

aspen hysys v8 course session 1 youtube - Oct 05 2022

web sep 25 2014 husseny salem 1 56k subscribers aspen hysys v8 course presented by engineer ahmed deyab process simulation consultant facebook com ahmed deyab recorded uploaded by husseny

aspen hysys basic process modeling udemy - Apr 11 2023

web description the basic aspen hysys course will show you how to model and simulate processes from petrochemical to ammonia synthesis and polymerisation analysis of unit operation will help you in order to optimise the chemical plant this is helpful for students teachers engineers and researchers in the area of r d and plant

aspen hysys simulation course from dummy to pro udemy - Aug 03 2022

web description aspen hysys simulation course from dummy to pro is a 6 hour course designed to help the student understand the easiest way to simulate the most important unit operations like pump compressors heat exchangers absorber stripper distillation column heater cooler separators reactors iterative operations pipeline valve

aspen hysys process simulation software aspentech - Nov 06 2022

web most trusted process simulator rely on the industry s preferred process simulator trusted for over 40 years and make informed decisions from design through operations experience the latest innovations in process simulation accelerate digitalization to achieve sustainability goals and drive operational excellence

process modeling using aspen hysys includes free - May 12 2023

web training details course id ehy101 online class duration 3 day s ceus awarded 2 1 level introductory benefits fully online

our online classes are designed for flexibility this allows you to plan your study time to fit your schedule learn from anywhere no travel required practical skills learned through hands on self paced workshops

aspen hysys v8 8 intro basics youtube - Mar 30 2022

web oct 22 2017 aspen hysys v8 8 intro basics 4 570 views oct 22 2017 36 dislike chemistaria sims 190 subscribers this video is the practical introduction of aspen hysys v8 8 if you are beginner in aspen

aspentech training center - Aug 15 2023

web aspen hysys migration to v8 experienced users can ensure a smooth migration to aspen hysys v8 by learning the interface enhancements such as the new ribbon interface to facilitate workflow for typical model development you will also learn to use the new simulation and property environments

aspen user certification program aspentech - Feb 09 2023

web certifications available for 15 aspentech products including aspen hysys aspen plus aspen infoplus 21 aspen mtell and aspen pims pursue as many as you d like

aspen hysys aspentech - Jul 14 2023

web executive overview a whole new way to optimize aspen hysys v8 the evolution of process simulation software what do you get when you combine the world s most powerful process optimization software with a rich and engaging user experience the answer is aspenone engineering v8

what is the hsia calendar fengshuied - Mar 10 2023

web feb 6 2020 the hsia calendar or xia li in mandarin 日历 is the chinese solar calendar that is used by feng shui professionals to observe energy changes from history and into the future it was initially conceptualized for the purpose of helping farmers identify the best periods of the year to plant grow and harvest crops

amazon com feng shui calendar 2020 - Feb 09 2023

web jul 28 2019 2020 feng shui planner daily weekly and monthly calendar organizer for year of the metal rat by marjb planners jan 1 2020 2 paperback 799 free delivery mon aug 28 on 25 of items shipped by amazon 2020 feng shui planner traditional spring festival calendar diary for year of the rat by marjb planners jan 3 2020

feng shui new year 2023 date calendar charms karmaweather - Apr 30 2022

web aug 19 2022 2023 feng shui calendar and feng shui new year date good fortune protections annual flying stars magical squares from 2019 to 2028

chinese farmer s calendar from farmer s almanac chinese fortune calendar - Jul 02 2022

web jan 24 2021 chinese farmer s almanac provides daily information about the lunar solar calendar stem branches five elements i ching hexagrams 28 stars 12 cycle days purple white flying stars 6 animal days 72 seasons and feng shui related

elements

[almanac calendar dragon gate](#) - Jul 14 2023

web sep 11 2023 almanac calendar online chinese almanac for more information on the various sections of the almanac mouse over the icon view every day from 2013 2033 complete with intelligent search capabilities bookmarking reminder service and more sign up now already a member yesterday 9 september 2023 today 10 september

2020 way calendar way fengshui group - Apr 11 2023

web way s multi purpose calendar combines both the gregorian and lunar calendar as well as the solar calendar and the daily luck rating

lucky feng shui colors for 2020 year of the rat karmaweather - Aug 03 2022

web feb 18 2019 also find out which are the feng shui lucky colors to wear for 2020 and what are the luckiest feng shui colors 2020 for business fashion wedding and home decor the chinese new year 2020 s date is january 25 2020 and the feng shui new year 2020 begins on february 4 2020

2020 almanac feng shui calendar tyn feng shui master - Nov 06 2022

web march 2020 almanac feng shui calendar april 2020 almanac feng shui calendar may 2020 almanac feng shui calendar june 2020 almanac feng shui calendar july 2020 almanac feng shui calendar august 2020 almanac feng shui calendar september 2020 almanac feng shui calendar october 2020 almanac feng shui

feng shui 2020 - Feb 26 2022

web feng shui forecast 2020 for ox ox horoscope forecast 2020 overview the feng shui horoscope forecast for 2020 indicates quite a few positive predictions for the ox some of the possibilities might be the increase of money even winning a windfall or perhaps elevated career success

[feng shui kalender 2020 9783935683982 amazon com books](#) - Jun 01 2022

web jul 1 2019 feng shui kalender 2020 on amazon com free shipping on qualifying offers feng shui kalender 2020

[2020 feng shui flying stars your chinese astrology](#) - Oct 05 2022

web in 2020 the nine flying stars will fly to the new positions from february 4 2020 the beginning of spring the property of the nine stars at the corresponding directions in 2020 precautions and cures are mentioned in this article

[chinese calendar tung shing 2023 gregorian to chinese lunar calendar](#) - Sep 04 2022

web jan 22 2023 2022 2023 chinese calendar tung shing tung shu provides gregorian to chinese lunar calendar converter auspicious dates holidays zodiac years feng shui

[feng shui 2020 forecast lucky directions karmaweather](#) - Dec 27 2021

web jan 4 2022 kua bagua number of feng shui year 2020 is 7 feng shui 2020 horoscope auspicious directions and tips feng

shui new year s date is february 4 2020

[2020 feng shui calendar](#) - Mar 30 2022

web 2020 showing all 2 results sale 2020 2020 feng shui calendar hardcover ring rated 0 out of 5 55 00 19 00 n a add to cart out of stock 2020 2020 feng shui calendar hardcover book sold out rated 0 out

2020 fare yılı etkileri fengshuiveyasam com - Aug 15 2023

web Çinde takip edilen iki takvim sistemi vardır bayramlar gibi özel günleri bizim hicri takvimimiz gibi onlarda ay takvimi ile kutlarlar ay takvimine göre 2020 fare yılı 25 ocakta bahar bayramı ile kutlanmaya başladı feng shui ve Çin astrolojisi bazi sistemi ise diğer takip ettikleri güneş takvimine göre ilerlemektedir

fengshui dünyası - May 12 2023

web feng shui nedir chi yaşam enerjisi yin ve yang 5 element teorisi bagua enerji haritası pusula kullanımı haberler fengshui dünyası haberler fotoğraf galerisi basında fengshui video galerisi referanslar Şans takvimi İletişim

feng shui kalender 2020 amazon com tr kitap - Jun 13 2023

web arama yapmak istediğiniz kategoriye seçin

feng shui calendar facebook - Jan 28 2022

web within the context feng shui calendar 264 likes 8 talking about this beautifully designed feng shui calendar diary for the yin metal ox year of 2021 within the context feng shui calendar

how to use a feng shui lunar calendar free pdf download - Dec 07 2022

web free april to june 2020 feng shui calendar download bit ly 2xayghx our new 2020 rat year feng shui planner is available on amazon now

chinese calendar online lunar calendar with auspicious - Jan 08 2023

web jul 29 2023 09 saturday july 25 2023 lunar date year of the rabbit virgo gui mao year xin you month geng wu day clash rat evil north auspicious direction the god of joy northwest the god of happiness southwest the god of wealth east auspicious sacrifice coming of age ceremony wedding meet friend relative adopting children

apprendre à se connaitre est le premier des soins qu impose à - May 29 2022

web citation 1 apprendre à se connaitre est le premier des soins qu impose à tout mortel la sagesse suprême fables 1668 à 1694 livre douzième xxix le juge arbitre l hospitalier et le solitaire de jean de la fontaine références de jean de la fontaine biographie de jean de la fontaine

et si vous appreniez à vous soigner vous même sophie lacoste - Mar 07 2023

web may 20 2021 et si vous appreniez à vous soigner vous même manuel pratique d autonomie pour une santé 100 naturelle de plongez vous dans le livre sophie lacoste au format poche ajoutez le à votre liste de souhaits ou abonnez vous à l auteur

sophie lacoste livraison gratuite à 0 01 dès 35 d achat furet du nord

7 signes que votre perception de vous même pourrait être erronée - Jul 31 2022

web 1 il existe des preuves objectives qui contredisent votre perception actuelle par exemple vous pensez manquer de discipline mais vos nombreuses réalisations démontrent le contraire 2 votre perception de vous même est erronée car vous ne jugeriez pas quelqu'un d'autre de la même manière dans la même situation

et si vous appreniez à vous soigner vous même ma 2022 - Sep 01 2022

web 2 et si vous appreniez à vous soigner vous même ma 2019 06 14 location of place in a post postmodern world with a dispersed sense of the real the practice of queer documentary in france and italy from the beginning of the new millennium onwards is seen to re write the coherence of place through a range of emerging queer realities

et si vous appreniez à vous soigner vous même booknode - Oct 14 2023

web découvrez et si vous appreniez à vous soigner vous même de sophie lacoste sur booknode la communauté du livre *et si vous appreniez à vous soigner vous même ma pdf* - Aug 12 2023

web et si vous appreniez à vous soigner vous même ma downloaded from iriss ac uk darion hallie the treasure of the french and english languages the tenth edition corrected and improved bod books on demand this book also explores sophie barat's spiritual journey from her dark jansenistic roots to her belief in a loving warm and tender

aide conseils aide conseils refroidissement du lg usa - Jan 25 2022

web nov 4 2023 aide conseils refroidissement du climatiseur lg même si je fais fonctionner le climatiseur il n'y a pas de froid et il n'y a pas d'eau qui sort du tuyau de vidange apprenez à utiliser mettre à jour entretenir et

apprenez vous english translation linguee - Feb 06 2023

web many translated example sentences containing apprenez vous english french dictionary and search engine for english translations

et si vous appreniez à vous soigner vous même sophie lacoste - May 09 2023

web oct 8 2019 et si vous appreniez à vous soigner vous même simples économiques efficaces et écologiques les remèdes naturels pour soigner toute la famille de plongez vous dans le livre sophie lacoste au format grand format

perdre sa mère 3 choses essentielles que vous apprenez - Feb 23 2022

web 1 day ago perdre sa mère est une épreuve difficile voici trois choses que j'ai apprises depuis son décès 1 le chagrin n'est pas linéaire et ne s'exprime pas uniquement par les larmes la perte d'un être cher est une douleur profonde et complexe chacun réagit différemment au deuil avec différentes émotions telles que la colère la

et si vous appreniez à vous soigner vous même simples - Jan 05 2023

web et si vous repreniez en saisissant votre code postal les produits seront triés du plus près au plus loin de chez vous

saisissez votre code postal se souvenir de mon code postal pour les autres visites enregistrer localisez moi vous pouvez aussi choisir la boutique dans laquelle chiner vos produits trouver ma boutique liste d

et si vous appreniez à vous soigner vous même sophie - Apr 08 2023

web et si vous appreniez à vous soigner vous même broché et si vous appreniez à vous soigner vous même sophie lacoste editions mosaïque santé broch compte pour acheter des livres avec livraison gratuite dans le monde veuillez vous connecter ou créer un compte connexion créer un compte ma liste panier

et si vous appreniez à vous soigner vous même by amazon ae - Dec 04 2022

web buy et si vous appreniez à vous soigner vous même by online on amazon ae at best prices fast and free shipping free returns cash on delivery available on eligible purchase

et si vous appreniez a vous soigner vous mame ma 2022 ftp - Dec 24 2021

web et si vous appreniez a vous soigner vous mame ma getting the books et si vous appreniez a vous soigner vous mame ma now is not type of challenging means you could not lonely going in imitation of book deposit or library or borrowing from your associates to edit them this is an completely easy means to specifically acquire lead

et si vous appreniez à vous soigner vous même de sophie - Jun 10 2023

web oct 8 2019 et si vous appreniez à vous soigner vous même simples économiques efficaces et écologiques les remèdes naturels pour soigner toutes la famille de sophie lacoste collection eco pratique livraison gratuite à 0 01 dès 35 d achat librairie decitre votre prochain livre est là

et si vous appreniez a vous soigner vous meme - Nov 03 2022

web et si vous appreniez a vous soigner vous meme lacoste sophie amazon ca livres aller au contenu principal ca bonjour sélectionnez le service dans lequel vous souhaitez effectuer votre recherche rechercher amazon ca fr bonjour s identifier comptes et listes retours et commandes panier toutes les jours d offres

et si j apprenais à prendre soin de moi 1er festival d ap hm - Jun 29 2022

web oct 20 2017 et si j apprenais à prendre soin de mon sommeil lundi 9 octobre 18h il paraît que bien dormir c est la clef d une bonne santé c est vrai il paraît aussi que beaucoup de personnes se plaignent de leur sommeil c est vrai aussi insomnies réveils nocturnes somnolence mais d après elles il n

et si vous appreniez a vous soigner vous mame ma download - Nov 22 2021

web et si vous appreniez a vous soigner vous mame ma 1 et si vous appreniez a vous soigner vous mame ma la sainte bible etc les martyrs maccabées de l histoire juive au culte chrétien le diamant du chrétien nouveau testament traduction de sacy précédé des prières du matin et du soir de l ordinaire de la messe des vèpres et complies

méthode de singapour n ayez plus peur des énoncés obscurs - Mar 27 2022

web nov 9 2017 sciences innovations méthode de singapour n ayez plus peur des énoncés obscurs vidÉo sa méthode de résolution de problèmes a permis à la cité État de prendre la première place

et si vous appreniez à vous soigner vous même manuel - Jul 11 2023

web noté 5 achetez et si vous appreniez à vous soigner vous même manuel pratique d autonomie pour une santé 100 naturelle de sophie lacoste isbn 9782849391624 sur amazon fr des millions de livres livrés chez vous en 1 jour

bonjour j espère que vous aller bien en bonne santé je n arrive - Apr 27 2022

web mar 9 2023 nosdevoirs fr est un service gratuit d aide aux devoirs du groupe brainly com c est un portail d entraide de collègue résolu bonjour j espère que vous aller bien en bonne santé je n arrive pas à faire cet exercice l anglais moi sa fait 2 esque vous pouvez m aider s il vous plais en faisant l exercice

et si vous appreniez a vous soigner vous mame ma 2022 ftp - Sep 20 2021

web et si vous appreniez a vous soigner vous mame ma is within reach in our digital library an online right of entry to it is set as public so you can download it instantly our digital library saves in fused countries allowing you to get the most less latency times to download any of our books in the manner of this one

et si vous appreniez à vous soigner vous même simples - Oct 22 2021

web et si vous appreniez à vous soigner vous même simples économiques efficaces et écologiques les remèdes naturels pour soigner toutes

présentation et si vous appreniez À vous soigner vous rakuten - Oct 02 2022

web et si vous appreniez À vous soigner vous même simples Économiques efficaces et Écologiques les remèdes naturels pour soigner toutes la famille pas cher

et si vous appreniez à vous soigner vous même lisez - Sep 13 2023

web simples économiques efficaces et écologiques les remèdes naturels permettent de soigner toute la famille sophie lacoste grande spécialiste vous confie ici le fruit de nombreuses années de recherches vous allez découvrir simples économiques efficaces et écologiques les remèdes naturels permettent de soigner toute la famille

et si vous appreniez a vous soigner vous mame ma pdf - Aug 20 2021

web et si vous appreniez a vous soigner vous mame ma le diamant du chrétien nouveau testament traduction de sacy précédé des prières du matin et du soir de l ordinaire de la messe des vèpres et complies Œuvres complètes traductions nouvelles par mm andrieux agnant and others etc notice sur cicéron by m p a de