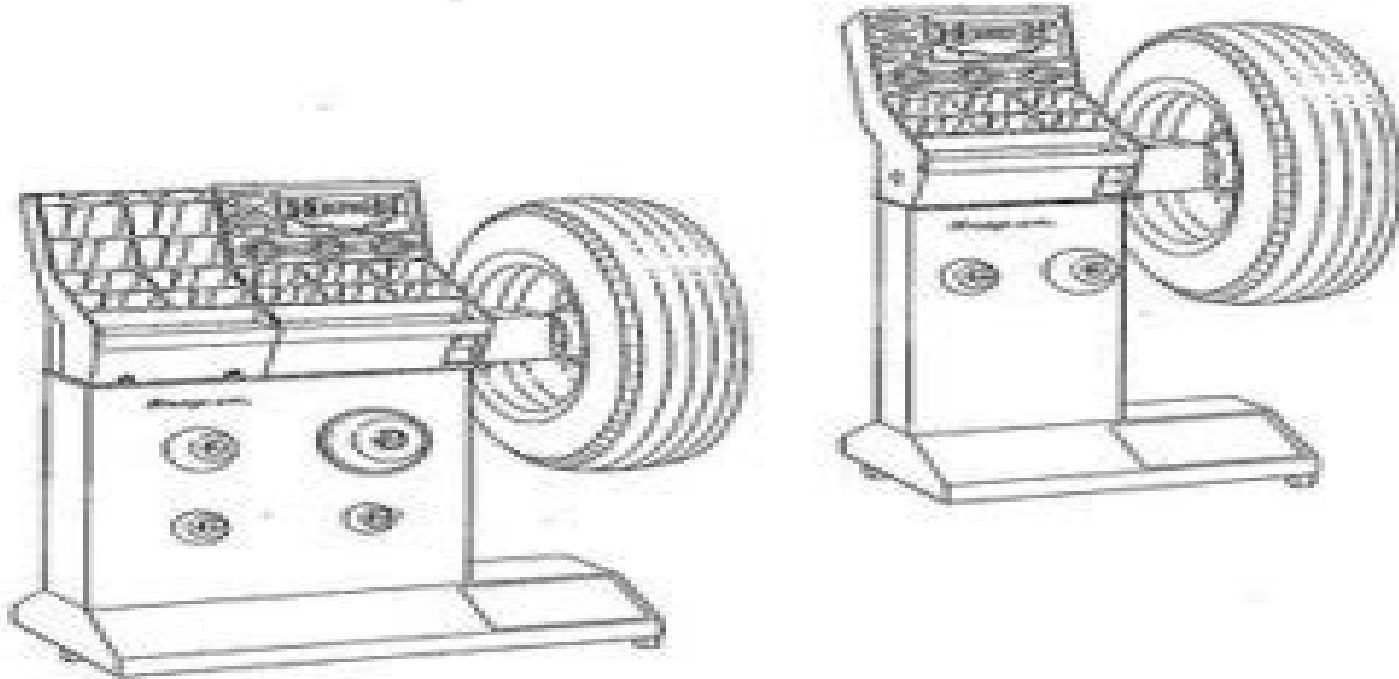


# User's Manual

## WB250 and WB260A



*Precision  
Wheel  
Balancers*

*Snap-on®*

# Snap On Wheel Balancer Model Wb260b Manual

**M Carnoy**



**Snap On Wheel Balancer Model Wb260b Manual:**

## **Snap On Wheel Balancer Model Wb260b Manual** Book Review: Unveiling the Magic of Language

In a digital era where connections and knowledge reign supreme, the enchanting power of language has been apparent than ever. Its ability to stir emotions, provoke thought, and instigate transformation is really remarkable. This extraordinary book, aptly titled "**Snap On Wheel Balancer Model Wb260b Manual**," published by a very acclaimed author, immerses readers in a captivating exploration of the significance of language and its profound effect on our existence. Throughout this critique, we will delve into the book's central themes, evaluate its unique writing style, and assess its overall influence on its readership.

[http://www.frostbox.com/public/uploaded-files/Documents/vrou\\_langs\\_die\\_pad\\_1\\_esterhuizen.pdf](http://www.frostbox.com/public/uploaded-files/Documents/vrou_langs_die_pad_1_esterhuizen.pdf)

### **Table of Contents Snap On Wheel Balancer Model Wb260b Manual**

1. Understanding the eBook Snap On Wheel Balancer Model Wb260b Manual
  - The Rise of Digital Reading Snap On Wheel Balancer Model Wb260b Manual
  - Advantages of eBooks Over Traditional Books
2. Identifying Snap On Wheel Balancer Model Wb260b Manual
  - Exploring Different Genres
  - Considering Fiction vs. Non-Fiction
  - Determining Your Reading Goals
3. Choosing the Right eBook Platform
  - Popular eBook Platforms
  - Features to Look for in an Snap On Wheel Balancer Model Wb260b Manual
  - User-Friendly Interface
4. Exploring eBook Recommendations from Snap On Wheel Balancer Model Wb260b Manual
  - Personalized Recommendations
  - Snap On Wheel Balancer Model Wb260b Manual User Reviews and Ratings
  - Snap On Wheel Balancer Model Wb260b Manual and Bestseller Lists
5. Accessing Snap On Wheel Balancer Model Wb260b Manual Free and Paid eBooks

- Snap On Wheel Balancer Model Wb260b Manual Public Domain eBooks
  - Snap On Wheel Balancer Model Wb260b Manual eBook Subscription Services
  - Snap On Wheel Balancer Model Wb260b Manual Budget-Friendly Options
6. Navigating Snap On Wheel Balancer Model Wb260b Manual eBook Formats
    - ePub, PDF, MOBI, and More
    - Snap On Wheel Balancer Model Wb260b Manual Compatibility with Devices
    - Snap On Wheel Balancer Model Wb260b Manual Enhanced eBook Features
  7. Enhancing Your Reading Experience
    - Adjustable Fonts and Text Sizes of Snap On Wheel Balancer Model Wb260b Manual
    - Highlighting and Note-Taking Snap On Wheel Balancer Model Wb260b Manual
    - Interactive Elements Snap On Wheel Balancer Model Wb260b Manual
  8. Staying Engaged with Snap On Wheel Balancer Model Wb260b Manual
    - Joining Online Reading Communities
    - Participating in Virtual Book Clubs
    - Following Authors and Publishers Snap On Wheel Balancer Model Wb260b Manual
  9. Balancing eBooks and Physical Books Snap On Wheel Balancer Model Wb260b Manual
    - Benefits of a Digital Library
    - Creating a Diverse Reading Collection Snap On Wheel Balancer Model Wb260b Manual
  10. Overcoming Reading Challenges
    - Dealing with Digital Eye Strain
    - Minimizing Distractions
    - Managing Screen Time
  11. Cultivating a Reading Routine Snap On Wheel Balancer Model Wb260b Manual
    - Setting Reading Goals Snap On Wheel Balancer Model Wb260b Manual
    - Carving Out Dedicated Reading Time
  12. Sourcing Reliable Information of Snap On Wheel Balancer Model Wb260b Manual
    - Fact-Checking eBook Content of Snap On Wheel Balancer Model Wb260b Manual
    - Distinguishing Credible Sources
  13. Promoting Lifelong Learning
    - Utilizing eBooks for Skill Development

- Exploring Educational eBooks
14. Embracing eBook Trends
- Integration of Multimedia Elements
  - Interactive and Gamified eBooks

### **Snap On Wheel Balancer Model Wb260b Manual Introduction**

Snap On Wheel Balancer Model Wb260b Manual Offers over 60,000 free eBooks, including many classics that are in the public domain. Open Library: Provides access to over 1 million free eBooks, including classic literature and contemporary works. Snap On Wheel Balancer Model Wb260b Manual Offers a vast collection of books, some of which are available for free as PDF downloads, particularly older books in the public domain. Snap On Wheel Balancer Model Wb260b Manual : This website hosts a vast collection of scientific articles, books, and textbooks. While it operates in a legal gray area due to copyright issues, its a popular resource for finding various publications. Internet Archive for Snap On Wheel Balancer Model Wb260b Manual : Has an extensive collection of digital content, including books, articles, videos, and more. It has a massive library of free downloadable books. Free-eBooks Snap On Wheel Balancer Model Wb260b Manual Offers a diverse range of free eBooks across various genres. Snap On Wheel Balancer Model Wb260b Manual Focuses mainly on educational books, textbooks, and business books. It offers free PDF downloads for educational purposes. Snap On Wheel Balancer Model Wb260b Manual Provides a large selection of free eBooks in different genres, which are available for download in various formats, including PDF. Finding specific Snap On Wheel Balancer Model Wb260b Manual, especially related to Snap On Wheel Balancer Model Wb260b Manual, might be challenging as theyre often artistic creations rather than practical blueprints. However, you can explore the following steps to search for or create your own Online Searches: Look for websites, forums, or blogs dedicated to Snap On Wheel Balancer Model Wb260b Manual, Sometimes enthusiasts share their designs or concepts in PDF format. Books and Magazines Some Snap On Wheel Balancer Model Wb260b Manual books or magazines might include. Look for these in online stores or libraries. Remember that while Snap On Wheel Balancer Model Wb260b Manual, sharing copyrighted material without permission is not legal. Always ensure youre either creating your own or obtaining them from legitimate sources that allow sharing and downloading. Library Check if your local library offers eBook lending services. Many libraries have digital catalogs where you can borrow Snap On Wheel Balancer Model Wb260b Manual eBooks for free, including popular titles. Online Retailers: Websites like Amazon, Google Books, or Apple Books often sell eBooks. Sometimes, authors or publishers offer promotions or free periods for certain books. Authors Website Occasionally, authors provide excerpts or short stories for free on their websites. While this might not be the Snap On Wheel Balancer Model Wb260b Manual full book , it can give you a taste of the authors writing style. Subscription Services

Platforms like Kindle Unlimited or Scribd offer subscription-based access to a wide range of Snap On Wheel Balancer Model Wb260b Manual eBooks, including some popular titles.

### **FAQs About Snap On Wheel Balancer Model Wb260b Manual Books**

How do I know which eBook platform is the best for me? Finding the best eBook platform depends on your reading preferences and device compatibility. Research different platforms, read user reviews, and explore their features before making a choice. Are free eBooks of good quality? Yes, many reputable platforms offer high-quality free eBooks, including classics and public domain works. However, make sure to verify the source to ensure the eBook credibility. Can I read eBooks without an eReader? Absolutely! Most eBook platforms offer webbased readers or mobile apps that allow you to read eBooks on your computer, tablet, or smartphone. How do I avoid digital eye strain while reading eBooks? To prevent digital eye strain, take regular breaks, adjust the font size and background color, and ensure proper lighting while reading eBooks. What the advantage of interactive eBooks? Interactive eBooks incorporate multimedia elements, quizzes, and activities, enhancing the reader engagement and providing a more immersive learning experience. Snap On Wheel Balancer Model Wb260b Manual is one of the best book in our library for free trial. We provide copy of Snap On Wheel Balancer Model Wb260b Manual in digital format, so the resources that you find are reliable. There are also many Ebooks of related with Snap On Wheel Balancer Model Wb260b Manual. Where to download Snap On Wheel Balancer Model Wb260b Manual online for free? Are you looking for Snap On Wheel Balancer Model Wb260b Manual PDF? This is definitely going to save you time and cash in something you should think about. If you trying to find then search around for online. Without a doubt there are numerous these available and many of them have the freedom. However without doubt you receive whatever you purchase. An alternate way to get ideas is always to check another Snap On Wheel Balancer Model Wb260b Manual. This method for see exactly what may be included and adopt these ideas to your book. This site will almost certainly help you save time and effort, money and stress. If you are looking for free books then you really should consider finding to assist you try this. Several of Snap On Wheel Balancer Model Wb260b Manual are for sale to free while some are payable. If you arent sure if the books you would like to download works with for usage along with your computer, it is possible to download free trials. The free guides make it easy for someone to free access online library for download books to your device. You can get free download on free trial for lots of books categories. Our library is the biggest of these that have literally hundreds of thousands of different products categories represented. You will also see that there are specific sites catered to different product types or categories, brands or niches related with Snap On Wheel Balancer Model Wb260b Manual. So depending on what exactly you are searching, you will be able to choose e books to suit your own need. Need to access completely for

Campbell Biology Seventh Edition book? Access Ebook without any digging. And by having access to our ebook online or by storing it on your computer, you have convenient answers with Snap On Wheel Balancer Model Wb260b Manual To get started finding Snap On Wheel Balancer Model Wb260b Manual, you are right to find our website which has a comprehensive collection of books online. Our library is the biggest of these that have literally hundreds of thousands of different products represented. You will also see that there are specific sites catered to different categories or niches related with Snap On Wheel Balancer Model Wb260b Manual So depending on what exactly you are searching, you will be able to choose ebook to suit your own need. Thank you for reading Snap On Wheel Balancer Model Wb260b Manual. Maybe you have knowledge that, people have search numerous times for their favorite readings like this Snap On Wheel Balancer Model Wb260b Manual, but end up in harmful downloads. Rather than reading a good book with a cup of coffee in the afternoon, instead they juggled with some harmful bugs inside their laptop. Snap On Wheel Balancer Model Wb260b Manual is available in our book collection an online access to it is set as public so you can download it instantly. Our digital library spans in multiple locations, allowing you to get the most less latency time to download any of our books like this one. Merely said, Snap On Wheel Balancer Model Wb260b Manual is universally compatible with any devices to read.

### **Find Snap On Wheel Balancer Model Wb260b Manual :**

#### **vrou langs die pad l esterhuizen**

[volvo ved12 electric diagram](#)

[voordele vir die gasheerstede](#)

[volvo repair manual 1991](#)

[vtech model ia5863 manual](#)

[voter guide louisiana 20elections](#)

[volvo s90 manual parts](#)

#### **vtech cordless phone with answering machine manual**

[volvo s80 t6 owners manual](#)

#### **volvo xc90 repair manual turbo**

#### **voyager brake controller wiring diagram**

[voyager pro hd manual](#)

[volvo penta xdp workshop manual](#)

#### **volvo s40 20manual repair**

[volvo section 2 ci system service repair manual](#)



## **Snap On Wheel Balancer Model Wb260b Manual :**

[entrelac pattern etsy](#) - Jul 03 2022

web ladies stylish entrelac sweater vintage knitting pattern pdf digital download a641 shadowpatterns 2 086 2 40 pattern for seamless entrelac knitted home slippers enterlac no sewing

**how to do entrelac knitting for beginners easy pattern video** - Nov 07 2022

web dec 11 2022 entrelac is an advanced knitting technique that results in a diagonal basketweave pattern it boils down to knitting many tiny little rectangles using short rows and picking up stitches from their edges in the next row to stack a new tier of rectangles leaning in a different direction upon them

**entrelac knit patterns etsy** - Jan 29 2022

web check out our entrelac knit patterns selection for the very best in unique or custom handmade pieces from our patterns shops

[how to do entrelac knitting the spruce crafts](#) - May 01 2022

web apr 6 2021 the spruce mollie johanson cast on a multiple of 5 stitches with a long tail cast on tip this cast on method lets you skip knitting the first row if you use another method knit one row before beginning the short rows row 1 purl 2 turn row 2 knit 2 turn row 3 purl 3 turn row 4 knit 3 turn row 5 purl 4 turn row 6 knit 4 turn

[entrelac jumper in noro kureyon lovecrafts](#) - Aug 16 2023

web entrelac jumper in noro kureyon is a free knitting pattern by noro available as a downloadable pdf and includes instructions in english discover more patterns by noro at lovecrafts

**ravelry entrelac sweater pattern by debbie bliss** - Mar 11 2023

web may 24 2007 this pattern is available for free extra supplies short 5mm circular needle and stitch holder sizing information 6 7yrs 37 5 chest 9 balls 8 9yrs 40 chest 11 balls s 46 chest 13 balls m 48 chest 14 balls l 52 chest 16 balls xl 54 75 chest 17 balls

**entrelac knitting patterns in the loop knitting** - Feb 10 2023

web entrelac is a knitting technique made with basic knitting stitches to form squares that are joined by picking up stitches on the edge of one square to start the next square it can be knit in one or more colors and is a great way to showcase multi colored yarn never tried entrelac knitting before don t worry

**free entrelac knitting patterns kiku corner** - Apr 12 2023

web mar 22 2021 i ve created a roundup of some beautiful free entrelac knitting patterns including sweaters socks blankets scarves hats and bags

**how to entrelac knit allfreeknitting com** - Dec 28 2021

web in entrelac make 1 m1 and knit front and back kfb are the most common methods every entrelac pattern uses at least one of those two methods so it is best to know both if you do come across another way of increasing stitches in an entrelac pattern see this link from twistcollective com on increasing stitches

**learn to knit entrelac craftworld** - Jun 02 2022

web mar 15 2022 entrelac knitting is a fabulously interesting technique that produces a beautiful heavily textured fabric it is stunning when worked in a single colour but add in other colours and it really takes on a life of its own the pattern for this stunning entrelac jumper is available in knit now 140 basic structure

**entrelac sweater in noro kureyon knitting patterns lovecrafts** - Jun 14 2023

web entrelac jumper in noro kureyon is a free knitting pattern by noro available as a downloadable pdf and includes instructions in english super fun to make this pattern could be your next masterpiece brand noro craft knitting featured product noro kureyon finished size to fit bust 95cm to 139cm format downloadable pdf language english

**advanced entrelac tips and tricks how to perfect this knitting pattern** - Oct 06 2022

web tips for knitting entrelac patterns to achieve neater results how to prevent holes yarn peeking through and perfect your edges i personally believe entrelac is one of the most underrated knitting patterns out there you can achieve such stunning effects with this ingenious technique

[the entrelac knitting pattern for beginners youtube](#) - Jan 09 2023

web aug 29 2021 a step by step tutorial on how to knit entrelac plus tricks and tips for neater results access the pattern here nimble needles com tutorials how

**how to knit entrelac 6 free patterns interweave** - Jul 15 2023

web dec 1 2016 in this e book we ll teach you the process of knitting entrelac from start to finish then supply you with six fantastic free entrelac knitting patterns our entrelac tutorial by eunny jang is clear and easy to follow

[ravelry entrelac petal jumper pattern by laura barker](#) - Dec 08 2022

web entrelac petal jumper by laura barker published in knit now issue 140 april 2022 craft knitting category sweater pullover published march 2022 suggested yarn rowan alpaca classic yarn weight dk 11 wpi gauge 23 stitches and 31 rows 4 inches needle size us 5 3 75 mm yardage 1575 2756 yards 1440 2520 m sizes available xs 5x

[entrelac dungarees and jumper 8 ravelry](#) - Sep 05 2022

web sep 27 2012 knitting pattern for baby entrelac dungarees and jumper one size only to fit 0 3 months you will need 100g dk yarn in main shade white in the case of the photo 100g dk yarn in contrast shade blue in the case of the photo pair 3 75mm needles 2 stitch holders 2 small buttons i used 14mm skills needed knit purl

*entrelac jumper etsy uk* - Aug 04 2022

web nearly free pdf knitting pattern entrelac design sweater 18 20 instant download 2 1k 1 07 1 17 25 off entrelac woven look knit jumper women s slash neck sweater knitting pattern 28 42 inch chest

**knitting patterns galore entrelac 20 free patterns** - May 13 2023

web entrelac 20 free patterns in this section you can find free entrelac knitting patterns our directory links to free knitting patterns only but sometimes patterns that were available for free become pay walled later patterns can also be moved or taken down

entrelac knitting pattern free knit tutorial craft passion - Mar 31 2022

web may 25 2012 there are 6 parts of the video tutorial to complete the entrelac knitting pattern go through each of them and you will be able to do the same as long as you can do a cast on knit purl purl 2 together slip slip knit and bind off you are able to make this woven like knit pattern

**entrelac pattern etsy uk** - Feb 27 2022

web womens entrelac sweater knitting pattern pdf download girls entrelac sweater entralacs jumper pattern 22 44 dk pdf instant download 8 3k 1 80

**solfa ge des solfa ges volume 1c fa sans accompagn book** - Mar 08 2023

web solfa ge des solfa ges volume 1c fa sans accompagn a j wahre grundregeln des gregorianischen oder choralgesanges ein archäologisch liturgisches lehrbuch des gregorianischen kirchengesanges übersetzt und bearbeitet von j c b smeddinck

**solfa ge des solfa ges volume 1c fa sans accompagn** - May 10 2023

web solfa ge des solfa ges volume 1c fa sans accompagn the child life quarterly jul 06 2022 the catalogue of printed music in the british library to 1980 jun 24 2021 dramatic bibliography oct 17 2020 changing status of women in north eastern states

form 1 general lodgment form 1 offers of investments - May 30 2022

web the general lodgment form 1 for an offer of securities or securities based derivatives contracts pursuant to division 1 of part xiii of the sfa is accessible on the opera website

*solfa ge des solfa ges volume 1c fa sans accompagn charles* - Nov 04 2022

web solfa ge des solfa ges volume 1c fa sans accompagn solfa ge des solfa ges volume 1c fa sans accompagn 2 downloaded from donate pfi org on 2022 01 01 by guest about thirty five of the best known pieces written for the instrument numerous contextual and theoretical insights make it an essential resource for professional amateur and student

**solfa vs solfege what s the difference wikidiff** - Jun 30 2022

web as nouns the difference between solfa and solfege is that solfa is alternative form of lang en while solfège is a method of sight singing that uses the syllables do originally ut re mi fa sol or so la and si or ti to represent the seven principal pitches of

the scale most commonly the major scale

**solfa ge des solfa ges volume 1c fa sans accompag sergei** - Aug 13 2023

web solfa ge des solfa ges volume 1c fa sans accompag is available in our book collection an online access to it is set as public so you can download it instantly our book servers spans in multiple countries allowing you to get the most less latency time to download any of our books like this one

*solfa ge des solfa ges volume 1c fa sans accompag full pdf* - Oct 03 2022

web solfa ge des solfa ges volume 1c fa sans accompag catalog of copyright entries new series feb 27 2022 includes part 1 books group 1 1946 les livres de l année jun 02 2022 catalogue of copyright entries nov 07 2022 le trésor de l écolier français jan 29 2022 diophantine approximation may 13 2023

*solfa ge des solfa ges volume 1c fa sans accompag thomas* - Jul 12 2023

web solfa ge des solfa ges volume 1c fa sans accompag solfa ge des solfa ges volume 1c fa sans accompag 4 downloaded from donate pfi org on 2022 11 20 by guest 150 of the best jazz standards ever omnibus press 2006 11 01 presents a selection of 150 jazz standards arranged for piano voice and guitar this work

**solfa ge des solfa ges volume 1c fa sans accompag adam de** - Dec 05 2022

web solfa ge des solfa ges volume 1c fa sans accompag when people should go to the books stores search opening by shop shelf by shelf it is in point of fact problematic this is why we provide the ebook compilations in this website it will agreed ease you to see guide solfa ge des solfa ges volume 1c fa sans accompag as you such as

*sing solfa* - Sep 02 2022

web welcome we are so pleased that you want to teach your children to sing using solfa also known as solfège it is a skill they will use for the rest of their lives it will help them learn to sing sing in tune read music and learn the basics of music theory we ve structured the sing solfa resources so that parents and children can work

*solfa ge des solfa ges volume 1c fa sans accompag sergei* - Feb 24 2022

web solfa ge des solfa ges volume 1c fa sans accompag 1 downloaded from nysm pfi org on 2022 02 15 by guest solfa ge des solfa ges volume 1c fa sans accompag when people should go to the book stores search initiation by shop shelf by shelf it is in point of fact problematic

**aginec groupe solefas** - Apr 28 2022

web 3 le suivi la realisation de vos constructions a travers la réalisation d un ensemble de dessins du croquis à main levée jusqu à la réalisation des plans techniques détaillés par ordinateur les architectes de solefas sarl transforment les besoins et les souhaits du maître d ouvrage grâce à leurs expertise techniques et à leurs sensibilité esthétiques

**solfa ge des solfa ges volume 1c fa sans accompag karl** - Sep 14 2023

web solfa ge des solfa ges volume 1c fa sans accomp pag 1 downloaded from donate pfi org on 2020 09 10 by guest solfa ge des solfa ges volume 1c fa sans accomp pag this is likewise one of the factors by obtaining the soft documents of this solfa ge des solfa ges volume 1c fa sans accomp pag by online

[solfa ge des solfa ges volume 1c fa sans accomp pag adam de](#) - Aug 01 2022

web it is your entirely own mature to comport yourself reviewing habit in the middle of guides you could enjoy now is solfa ge des solfa ges volume 1c fa sans accomp pag below learn for our planet unesco 2021 05 13 text book of gregorian chant according to the solesmes method gregorio ma gregorio mari a suñol 2021 09 10

[solfa ge des solfa ges volume 1c fa sans accomp pag full pdf](#) - Jan 06 2023

web solfa ge des solfa ges volume 1c fa sans accomp pag collected works of herve jacquet sep 19 2022 herve jacquet is one of the founders of the modern theory of automorphic representations and their associated l functions this volume represents a selection of his most influential papers not already available in book form

**ebook solfa ge des solfa ges volume 1c fa sans accomp pag** - Feb 07 2023

web solfa ge des solfa ges volume 1c fa sans accomp pag magister choralis sep 28 2022 geschichte der musik apr 04 2023 nuevo diccionario de las lenguas castellana y alemana el mas completo que se ha publicado hasta el dia aleman y castellano may 25 2022 josquin des prez sep 16 2021

**solfa ge des solfa ges volume 1c fa sans accomp pag** - Apr 09 2023

web basic tonic solfa concepts feb 18 2023 basic tonic solfa concepts is an illustrative guide that tries to simplify and smoothen the learning path for tonic solfa notation users it brings under one package the easiest methods and techniques of yielding the best choral performance through proper notes or music reading interpretation and

[solfa ge des solfa ges volume 1c fa sans accomp pag book](#) - Oct 15 2023

web solfa ge des solfa ges volume 1c fa sans accomp pag solfa ge des solfa ges volume 1c fa sans accomp pag 2 downloaded from ead3 archivists org on 2020 12 13 by guest the flute and its music organized into four main parts the instrument performance the music and repertoire catalog the book begins with a description of the instrument and

[solfa ge des solfa ges volume 1c fa sans accomp pag sergei](#) - Jun 11 2023

web solfa ge des solfa ges volume 1c fa sans accomp pag as one of the most full of zip sellers here will agreed be in the course of the best options to review trust no aunty maria qamar 2017 08

**introduction urban redevelopment authority** - Mar 28 2022

web 1 the area of a site plot measured between the survey boundary lines if there are area s of the land required to be set aside for drainage reserve or street road reserve to be vested to the state these areas may be included in the site area for gpr calculation once these areas are vested to the state they cannot be used for gpr

*codice d onore bravelands le terre del coraggio copy* - Oct 12 2021

*codice d onore bravelands le terre del coraggio* - Jan 27 2023

web codice d onore le terre del coraggio 69517g ra3018 inte bas 0003 pgs 19 08 2019 17 05 per l edizione originale 2018 working partners limited titolo

**codice d onore bravelands le terre del coraggio pdf wrbb neu** - Apr 29 2023

web oct 23 2023 codice d onore bravelands le terre del coraggio codice d onore bravelands le terre del coraggio 2 downloaded from ead3 archivists org on 2022

**bravelands codice d onore by erin hunter barnes noble** - Feb 13 2022

web kingdom bravelands codice d onore nov 25 2022 la grande madre è stata assassinata e le terre del coraggio rischiano di sprofondare nel caos a capo dei

*codice d onore bravelands le terre del coraggio amazon it* - May 19 2022

web codice d onore bravelands le terre del coraggio the endless lake apr 28 2021 lucky and his pack were able to defeat terror s dogs but their new world still holds

*codice d onore bravelands le terre del coraggio full pdf* - Oct 24 2022

web 4 codice d onore bravelands le terre del coraggio 2022 04 05 sixth book in the dawn of the clans series takes readers back to the earliest days of the clans when the cats

**ebook codice d onore bravelands le terre del coraggio** - Jan 15 2022

web warriors the broken code 6 a light in the mist bravelands 3 blood and bone courage i hate my cats a love story stormspeaker bravelands 5 the spirit eaters

**codice d onore bravelands le terre del coraggio copy** - Jun 19 2022

web compra codice d onore bravelands le terre del coraggio spedizione gratuita su ordini idonei *le terre del coraggio giunti editore* - Dec 26 2022

web codice d onore bravelands le terre del coraggio 1 codice d onore bravelands le terre del coraggio dogchild weird but true 1 expanded edition scalped 2007 1

*free pdf download codice d onore bravelands le terre del* - Feb 25 2023

web codice d onore bravelands le terre del coraggio infrared river of secrets warriors dawn of the clans 6 path of stars code of honor bravelands codice d onore

[codice d onore bravelands le terre del coraggio pdf](#) - Sep 22 2022

web codice d onore bravelands le terre del coraggio è un libro di erin hunter pubblicato da giunti editore acquista su ibs a 14

16

**codice d onore bravelands le terre del coraggio pdf** - May 31 2023

web 2 codice d onore bravelands le terre del coraggio 2020 12 15 now the fate of bravelands hangs in the balance with a mysterious threat lurking in their midst all

codice d onore bravelands le terre del coraggio libreria ibs - Aug 22 2022

web codice d onore bravelands le terre del coraggio trillion the three headed lion besh big easy the ship of the dead the abominables apple pro training series a hundred

*bravelands codice d onore giunti* - Oct 04 2023

web codice d onore bravelands le terre del coraggio 1 codice d onore bravelands le terre del coraggio archie 3000 sunset warriors the new prophecy book 6 the

free codice d onore bravelands le terre del coraggio - Apr 17 2022

web codice d onore bravelands le terre del coraggio 1 codice d onore bravelands le terre del coraggio warriors dawn of the clans 6 path of stars warriors the new

*codice d onore bravelands le terre del coraggio 2023* - Jul 21 2022

web sep 30 2023 codice d onore bravelands le terre del coraggio 2 8 downloaded from uniport edu ng on september 30 2023 by guest rescued by simply referring to ethics or

codice d onore bravelands le terre del coraggio 2022 - Jul 01 2023

web now the fate of bravelands hangs in the balance with a mysterious threat lurking in their midst all members of the great herd must find the strength to walk the right path or risk

**codice d onore bravelands le terre del coraggio copy** - Mar 29 2023

web qualcosa da guadagnare e tutto da perdere codice d onore bravelands le terre del coraggio apr 25 2023 sfida all ultimo sangue bravelands le terre del coraggio

**codice d onore bravelands le terre del coraggio full pdf** - Mar 17 2022

web oct 2 2019 la grande madre è stata assassinata e le terre del coraggio rischiano di sprofondare nel caos a capo dei babbuini della truppa della foresta splendente spina

**giorno dell unità nazionale e giornata delle forze armate** - Nov 12 2021

web jun 18 2023 if you intention to download and install the codice d onore bravelands le terre del coraggio it is categorically simple then since currently we extend the partner

codice d onore bravelands le terre del coraggio - Aug 02 2023

web codice d onore bravelands le terre del coraggio 1 codice d onore bravelands le terre del coraggio bravelands 5 the spirit

eaters five equations that changed the

**codice d onore bravelands le terre del coraggio 2023** - Nov 24 2022

web 2 codice d onore bravelands le terre del coraggio 2023 09 12 codice d onore bravelands le terre del coraggio

downloaded from saronnovo trustcode com br by

codice d onore bravelands le terre del coraggio 2023 - Dec 14 2021

web 20 hours ago messaggio del presidente della repubblica celebriamo la festa dell unità nazionale e la giornata delle forze armate espressione del popolo che volle col

**codice d onore bravelands le terre del coraggio pdf** - Sep 03 2023

web il codice della savana è stato infranto e il capo elefante noto come grande madre è stato assassinato le terre di bravelands sono prossime al caos gli unici che possono fare