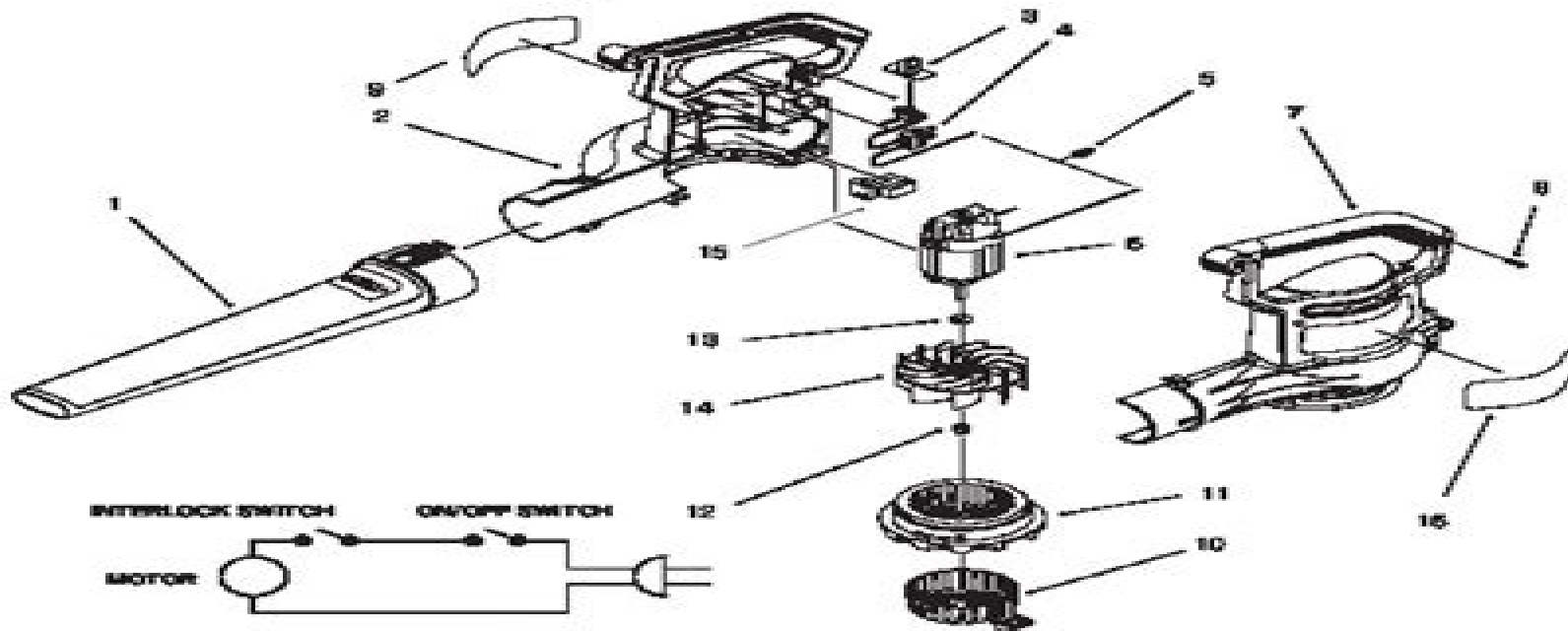




MODEL NO. 51582-5900001 & UP
 MODEL NO. 51583-5900001 & UP

PARTS
 CATALOG

SUPER BLOWER VAC
SUPER BLOWER YARD VAC
 Blower & Vacuum



C-4006

BLOWER ASSEMBLY

Ref. No.	Part No.	Description	No. Used
1	93-0571	Tube - Blower	1
2	93-0569	Housing - R.H. (Model No. 51582 Only)	1
*	93-0562	Housing - R.H. (Model No. 51583 Only)	1
3	93-0559	Cover - Switch (Model No. 51582 Only)	1
*	93-0566	Cover - Switch (Model No. 51583 Only)	1
4	93-0578	Harness Assembly	1
5	73-6670	Connector - Wire Nut	1
6	93-0575	Motor	1
7	93-0561	Housing - L.H. (Model No. 51582 Only)	1
*	93-0560	Housing - L.H. (Model No. 51583 Only)	1

Ref. No.	Part No.	Description	No. Used
8	94-4496	Screw - Phillips Hd. Top	1
9	93-0579	Decal - Logo (Model No. 51582 Only)	1
*	93-0580	Decal - Logo (Model No. 51583 Only)	1
10	93-0559	Choke - Air (Model No. 51582 Only)	1
11	93-0569	Cover - Inlet (Model No. 51582 Only)	1
*	93-0568	Cover - Inlet (Model No. 51583 Only)	1
12	73-5980	Nut - Cap Hex	1
13	93-0585	Washer	1
14	93-0564	Impeller	1
15	93-0567	Switch - Interlock	1
16	93-7697	Decal - Warning	1

* Not Illustrated

† Included in tube assembly No. 03-0363

Toro Blower Vac Manual

R Sandford



Toro Blower Vac Manual:

Pulp and Paper Manual of Canada ,1958 *Sales Promotion* Robert C. Blattberg, Scott A. Neslin, 1990 **Fortune**
Henry R. Luce, 2001 **Books In Print 2004-2005** Ed Bowker Staff, Staff Bowker, Ed, 2004 **Popular Mechanics**
, 1995-10 **QST.** ,1967 **Suffolk County Farm and Home Bureau News** ,1992 **Golf Business** ,1973
Consumers Digest ,2001 **Farmers and Consumers Market Bulletin** ,2003 Bottom Line, Personal ,1995
Industrial Equipment News ,1973 *American Export Register* ,1980 **Michigan's Oil & Gas News** ,1996
Science Citation Index ,1994 Vols for 1964 have guides and journal lists Maintenance Manual General Motors
Corporation. GMC Truck & Coach Division, 1966 **Toro-flow Diesel Engine** General Motors Corporation. GMC Truck &
Coach Division, 1965 **Sincere's Vacuum Cleaner & Small Appliance Service Manual** William Ewers, 1973

The book delves into Toro Blower Vac Manual. Toro Blower Vac Manual is a crucial topic that needs to be grasped by everyone, from students and scholars to the general public. The book will furnish comprehensive and in-depth insights into Toro Blower Vac Manual, encompassing both the fundamentals and more intricate discussions.

1. This book is structured into several chapters, namely:
 - Chapter 1: Introduction to Toro Blower Vac Manual
 - Chapter 2: Essential Elements of Toro Blower Vac Manual
 - Chapter 3: Toro Blower Vac Manual in Everyday Life
 - Chapter 4: Toro Blower Vac Manual in Specific Contexts
 - Chapter 5: Conclusion
2. In chapter 1, this book will provide an overview of Toro Blower Vac Manual. This chapter will explore what Toro Blower Vac Manual is, why Toro Blower Vac Manual is vital, and how to effectively learn about Toro Blower Vac Manual.
3. In chapter 2, the author will delve into the foundational concepts of Toro Blower Vac Manual. The second chapter will elucidate the essential principles that need to be understood to grasp Toro Blower Vac Manual in its entirety.
4. In chapter 3, this book will examine the practical applications of Toro Blower Vac Manual in daily life. This chapter will showcase real-world examples of how Toro Blower Vac Manual can be effectively utilized in everyday scenarios.
5. In chapter 4, this book will scrutinize the relevance of Toro Blower Vac Manual in specific contexts. The fourth chapter will explore how Toro Blower Vac Manual is applied in specialized fields, such as education, business, and technology.
6. In chapter 5, the author will draw a conclusion about Toro Blower Vac Manual. This chapter will summarize the key points that have been discussed throughout the book.

This book is crafted in an easy-to-understand language and is complemented by engaging illustrations. It is highly recommended for anyone seeking to gain a comprehensive understanding of Toro Blower Vac Manual.

http://www.frostbox.com/public/browse/default.aspx/Star_Knc_Cnc_Manual.pdf

Table of Contents Toro Blower Vac Manual

1. Understanding the eBook Toro Blower Vac Manual

- The Rise of Digital Reading Toro Blower Vac Manual
- Advantages of eBooks Over Traditional Books
- 2. Identifying Toro Blower Vac Manual
 - Exploring Different Genres
 - Considering Fiction vs. Non-Fiction
 - Determining Your Reading Goals
- 3. Choosing the Right eBook Platform
 - Popular eBook Platforms
 - Features to Look for in an Toro Blower Vac Manual
 - User-Friendly Interface
- 4. Exploring eBook Recommendations from Toro Blower Vac Manual
 - Personalized Recommendations
 - Toro Blower Vac Manual User Reviews and Ratings
 - Toro Blower Vac Manual and Bestseller Lists
- 5. Accessing Toro Blower Vac Manual Free and Paid eBooks
 - Toro Blower Vac Manual Public Domain eBooks
 - Toro Blower Vac Manual eBook Subscription Services
 - Toro Blower Vac Manual Budget-Friendly Options
- 6. Navigating Toro Blower Vac Manual eBook Formats
 - ePub, PDF, MOBI, and More
 - Toro Blower Vac Manual Compatibility with Devices
 - Toro Blower Vac Manual Enhanced eBook Features
- 7. Enhancing Your Reading Experience
 - Adjustable Fonts and Text Sizes of Toro Blower Vac Manual
 - Highlighting and Note-Taking Toro Blower Vac Manual
 - Interactive Elements Toro Blower Vac Manual
- 8. Staying Engaged with Toro Blower Vac Manual
 - Joining Online Reading Communities
 - Participating in Virtual Book Clubs
 - Following Authors and Publishers Toro Blower Vac Manual

-
9. Balancing eBooks and Physical Books Toro Blower Vac Manual
 - Benefits of a Digital Library
 - Creating a Diverse Reading Collection Toro Blower Vac Manual
 10. Overcoming Reading Challenges
 - Dealing with Digital Eye Strain
 - Minimizing Distractions
 - Managing Screen Time
 11. Cultivating a Reading Routine Toro Blower Vac Manual
 - Setting Reading Goals Toro Blower Vac Manual
 - Carving Out Dedicated Reading Time
 12. Sourcing Reliable Information of Toro Blower Vac Manual
 - Fact-Checking eBook Content of Toro Blower Vac Manual
 - Distinguishing Credible Sources
 13. Promoting Lifelong Learning
 - Utilizing eBooks for Skill Development
 - Exploring Educational eBooks
 14. Embracing eBook Trends
 - Integration of Multimedia Elements
 - Interactive and Gamified eBooks

Toro Blower Vac Manual Introduction

In this digital age, the convenience of accessing information at our fingertips has become a necessity. Whether its research papers, eBooks, or user manuals, PDF files have become the preferred format for sharing and reading documents. However, the cost associated with purchasing PDF files can sometimes be a barrier for many individuals and organizations. Thankfully, there are numerous websites and platforms that allow users to download free PDF files legally. In this article, we will explore some of the best platforms to download free PDFs. One of the most popular platforms to download free PDF files is Project Gutenberg. This online library offers over 60,000 free eBooks that are in the public domain. From classic literature to historical documents, Project Gutenberg provides a wide range of PDF files that can be downloaded and enjoyed on various devices. The website is user-friendly and allows users to search for specific titles or browse through different categories. Another reliable platform for downloading Toro Blower Vac Manual free PDF files is Open Library. With its vast collection of

over 1 million eBooks, Open Library has something for every reader. The website offers a seamless experience by providing options to borrow or download PDF files. Users simply need to create a free account to access this treasure trove of knowledge. Open Library also allows users to contribute by uploading and sharing their own PDF files, making it a collaborative platform for book enthusiasts. For those interested in academic resources, there are websites dedicated to providing free PDFs of research papers and scientific articles. One such website is Academia.edu, which allows researchers and scholars to share their work with a global audience. Users can download PDF files of research papers, theses, and dissertations covering a wide range of subjects. Academia.edu also provides a platform for discussions and networking within the academic community. When it comes to downloading Toro Blower Vac Manual free PDF files of magazines, brochures, and catalogs, Issuu is a popular choice. This digital publishing platform hosts a vast collection of publications from around the world. Users can search for specific titles or explore various categories and genres. Issuu offers a seamless reading experience with its user-friendly interface and allows users to download PDF files for offline reading. Apart from dedicated platforms, search engines also play a crucial role in finding free PDF files. Google, for instance, has an advanced search feature that allows users to filter results by file type. By specifying the file type as "PDF," users can find websites that offer free PDF downloads on a specific topic. While downloading Toro Blower Vac Manual free PDF files is convenient, it's important to note that copyright laws must be respected. Always ensure that the PDF files you download are legally available for free. Many authors and publishers voluntarily provide free PDF versions of their work, but it's essential to be cautious and verify the authenticity of the source before downloading Toro Blower Vac Manual. In conclusion, the internet offers numerous platforms and websites that allow users to download free PDF files legally. Whether it's classic literature, research papers, or magazines, there is something for everyone. The platforms mentioned in this article, such as Project Gutenberg, Open Library, Academia.edu, and Issuu, provide access to a vast collection of PDF files. However, users should always be cautious and verify the legality of the source before downloading Toro Blower Vac Manual any PDF files. With these platforms, the world of PDF downloads is just a click away.

FAQs About Toro Blower Vac Manual Books

How do I know which eBook platform is the best for me? Finding the best eBook platform depends on your reading preferences and device compatibility. Research different platforms, read user reviews, and explore their features before making a choice. Are free eBooks of good quality? Yes, many reputable platforms offer high-quality free eBooks, including classics and public domain works. However, make sure to verify the source to ensure the eBook credibility. Can I read eBooks without an eReader? Absolutely! Most eBook platforms offer web-based readers or mobile apps that allow you to read

eBooks on your computer, tablet, or smartphone. How do I avoid digital eye strain while reading eBooks? To prevent digital eye strain, take regular breaks, adjust the font size and background color, and ensure proper lighting while reading eBooks. What the advantage of interactive eBooks? Interactive eBooks incorporate multimedia elements, quizzes, and activities, enhancing the reader engagement and providing a more immersive learning experience. Toro Blower Vac Manual is one of the best book in our library for free trial. We provide copy of Toro Blower Vac Manual in digital format, so the resources that you find are reliable. There are also many Ebooks of related with Toro Blower Vac Manual. Where to download Toro Blower Vac Manual online for free? Are you looking for Toro Blower Vac Manual PDF? This is definitely going to save you time and cash in something you should think about.

Find Toro Blower Vac Manual :

[star knc cnc manual](#)

[state operations manual appendix pp guidance to surveyors for](#)

[startup owners manual spanish](#)

[standard repair time semi trailer guide](#)

starbucks barista food manual

starcraft travel trailer manual

state board of plumbing examiners

star wars quinlan vos inteacutegrade

statics and dynamics beer solution manual

[stanley stanguard installation manual](#)

[standing next to a miracle](#)

starter lever hyundai sonata

standard of care nursing manual 10th edition

standard v national test papers mes

[standard room layout marriott](#)

Toro Blower Vac Manual :

[verkehr mobilita t energie alternative antriebe u download](#) - Nov 11 2021

renewalcc com - Jan 14 2022

web nov 26 2021 l energia pulita arriva dal traffico ecco come 26 novembre 2021 15 44 un progetto turco promette una rivoluzione nelle nostre città una turbina eolica

erdgas co alternative antriebe im transporter - Feb 24 2023

web mar 31 2019 the reduced fossil fuels make the supply of energy difficult increasing the tendencies towards alternative energy in traditional transportation systems with internal

verkehr mobilita t energie alternative antriebe u download only - Mar 28 2023

web apr 5 2019 erdgas co alternative antriebe im transporter alternative antriebe alle welt spricht darüber wir haben uns umgeschaut wo und wie alternative antriebe

verkehr mobilita t energie alternative antriebe u download only - Apr 16 2022

web 4 verkehr mobilita t energie alternative antriebe u 2019 12 03 presents the u s and the world with an unprecedented risk management problem as peaking is approached

verkehr mobilita t energie alternative antriebe u pdf old militos - Jul 20 2022

web verkehr mobilita t energie alternative antriebe u 1 verkehr mobilita t energie alternative antriebe u strategies for sustainable mobilities geometric design practices

verkehr mobilita t energie alternative antriebe u full pdf - Jun 30 2023

web jul 4 2023 verkehr lita t energie alternative antriebe u can be one of the options to accompany you afterward having additional time it will not waste your time recognize

verkehr mobilita t energie alternative antriebe u copy - Jun 18 2022

web it is not on the costs its roughly what you need currently this verkehr mobilita t energie alternative antriebe u as one of the most functioning sellers here will entirely be in the

verkehr mobilita t energie alternative antriebe u pdf pdf - Feb 12 2022

web renewalcc com

verkehr mobilita t energie alternative antriebe u - Oct 03 2023

web this online message verkehr mobilita t energie alternative antriebe u can be one of the options to accompany you taking into consideration having new time it will not waste

verkehr mobilita t energie alternative antriebe u selim koca 2023 - Nov 23 2022

web aug 29 2023 verkehr mobilita t energie alternative antriebe umwelt la rm lkw risiken unfa lle radfahrer fußga nger geo wissen by michael schaper verkehr

verkehr mobilita t energie alternative antriebe u pdf grad - Mar 16 2022

web may 15 2023 the declaration verkehr mobilita t energie alternative antriebe u pdf that you are looking for it will certainly squander the time however below when you visit this

verkehr mobilita t energie alternative antriebe u pdf - Apr 28 2023

web verkehr mobilita t energie alternative antriebe u evolutionary paths towards the mobility patterns of the future feb 26 2023 this edited volume presents new insights

alternative antriebe wege in die zukunft der mobilität - Sep 02 2023

web 4 verkehr mobilita t energie alternative antriebe u 2023 01 23 environmental conscious functioning of enterprise new models methods and tools supporting sustainability are

l energia pulita arriva dal traffico ecco come ilgiornale it - Dec 13 2021

web verkehr mobilita t energie alternative antriebe u downloaded from sam arabtravelers com by guest howe jonah assessment and decision making for

verkehr mobilita t energie alternative antriebe u pdf - Aug 01 2023

web verkehr mobilita t energie alternative antriebe u 5 5 modes and their characteristics transportation for livable cities dispels the myths and emotional advocacies for or

verkehr mobilita t energie alternative antriebe umwelt la rm - Oct 23 2022

web kindly say the verkehr lita t energie alternative antriebe u is universally compatible with any devices to read low carbon cities steffen lehmann 2014 09 15 low carbon

türkiye toplu ulaşım sisteminde elektrikli otobüsler dergipark - Jan 26 2023

web aug 22 2018 yollardaki enerji dönüşümü dr tuba sarıgül 22 08 2018 günümüzde ulaşım teknolojileri alanındaki ilerlemelerin büyük kısmı fosil yakıtların kullanıldığı içten

yollardaki enerji dönüşümü tÜbİtak bilim genç - Dec 25 2022

web kindly say the verkehr mobilita t energie alternative antriebe u is universally compatible with any devices to read minimum wages and firm employment evidence

verkehr mobilita t energie alternative antriebe u download - May 18 2022

web verkehr mobilita t energie alternative antriebe u downloaded from dobleespacio uchile cl by guest coleman walsh net zero energy buildings open

verkehr lita t energie alternative antriebe u christoph grafe - Sep 21 2022

web right here we have countless books verkehr mobilita t energie alternative antriebe u and collections to check out we additionally offer variant types and furthermore type of

online library verkehr lita t energie alternative antriebe u pdf - May 30 2023

web 2 verkehr mobilita t energie alternative antriebe u 2023 05 13 biofuels such as bioethanol and biodiesel do not fulfill key fuel requirements therefore different

verkehr mobilita t energie alternative antriebe u pdf - Aug 21 2022

web verkehr mobilita t energie alternative antriebe u downloaded from old militos org by guest ellison mcdaniel information technologies in environmental engineering

pennsylvania snap payment schedule for july 2022 - Jan 29 2022

web jul 2 2022 get the pennsylvania snap payment schedule for july 2022 and find out the food stamps deposit dates for ebt including extra snap allotment

cash and snap payment issuance schedule services dpw state pa - Jun 14 2023

web pa fs 855 8 20 cash and snap payment issuance schedule keep this notice so you can refer to it for cash and snap supplemental nutrition assistance program the new name for food stamps benefits find

food stamp deposit schedule in pennsylvania providers - May 13 2023

web jan 6 2023 the providers guide to ebt in pennsylvania food stamp deposit schedule check out the pennsylvania ebt guide for answers to your food stamp questions

pennsylvania cash assistance payment schedule pennsylvania food stamps - Aug 04 2022

web mar 30 2022 specifically they are deposited between the 11th and 20th business day of the month when your cash assistance benefit is deposited on your ebt card depends on the last digit of your case number see below for the pennsylvania cash assistance payment schedule for 2022 by month

pennsylvania ebt deposit schedule for 2023 pennsylvania food stamps - May 01 2022

web nov 25 2021 pennsylvania ebt deposit schedule for 2023 in the state of pennsylvania the dhs distributes snap food stamps and tanf cash assistance benefits to those who qualify in addition there is no single date on which all ebt benefits are issued instead food stamps benefits are deposited on ebt cards over the first 10

580 appendix b services dpw state pa us - Feb 10 2023

web nov 1 2022 2023 disbursement and corresponding dates for cash snap benefits pa 1635 2023 multi digit payment schedule pa fs 855 2023 multi digit spanish payment schedule

cash and snap payment issuance schedule services dpw state pa - Mar 11 2023

web pa fs 855 10 22 cash and snap payment issuance schedule keep this notice so you can refer to it for cash and snap supplemental nutrition assistance program the new name for food stamps benefits find

ebt department of human services - Dec 08 2022

web check snap and cash assistance account balances report that an ebt card has been lost or stolen report that the ebt card

does not work and ask questions about using the ebt card the ebt recipient hotline may be called at 1 888 ebt penn 1 888 328 7366 the recipient hotline is open 24 hours a day seven days a week

snap department of human services - Jan 09 2023

web questions call the department of human services helpline toll free at 1 800 692 7462 1 800 451 5886 for individuals with hearing impairments or your county assistance office

january 2016 19 work days services dpw state pa us - Nov 07 2022

web pa 1635 1 15pa 1635 6 15 disbursement and corresponding dates for cash snap benefits march and april 2016 march 2016 23 work days the exact deadline for any county office is 5 pm on the date shown the exact benefit hold deadline for mail delivery i e non ebt benefits only for any county office is 5 pm on

[pennsylvania snap payment schedule for may pennsylvania food stamps](#) - Mar 31 2022

web apr 29 2022 additionally cash assistance benefits are deposited between the 11th and 20th business day of the month when your food stamps benefit or cash assistance benefit is deposited on your ebt card depends on the last digit of your case number see below for the snap payment schedule for pennsylvania for may 2022 the last digit of your

[apply for benefits department of human services](#) - Sep 05 2022

web there are different ways to apply for or renew your benefits 1 online use the compass website you can see if you qualify apply for or renew benefits at the click of a button

pa dpw food stamp schedule 2014 help environment harvard edu - Jul 03 2022

web pa dpw food stamp schedule 2014 is additionally useful you have remained in right site to start getting this info get the pa dpw food stamp schedule 2014 colleague that we present here and check out the link you could buy lead pa dpw food stamp schedule 2014 or get it as soon as feasible you could speedily download this pa dpw food

pa dpw food stamp schedule 2014 pdf pdf forever hutman - Jun 02 2022

web pa dpw food stamp schedule 2014 pdf pages 2 10 pa dpw food stamp schedule 2014 pdf upload herison w robertson 2 10 downloaded from forever hutman net on august 31 2023 by herison w robertson experience this work has been proofread and republished using a format that seamlessly blends the original graphical elements with text in an easy

pennsylvania ebt food stamp schedule allebt org - Oct 06 2022

web aug 15 2022 the pennsylvania ebt food stamp schedule is a tool used by the state to help eligible residents with food assistance the schedule is designed to help residents find the best time to use their food stamps and to provide information on how long food stamps will last

pa dpw food stamp schedule 2014 pdf gccca - Aug 16 2023

web mar 21 2023 pa dpw food stamp schedule 2014 pdf this is likewise one of the factors by obtaining the soft documents of

this pa dpw food stamp schedule 2014 pdf by online you might not require more get older to spend to go to the books initiation as skillfully as search for them in some cases you likewise pull off not

cash and snap payment issuance schedule services dpw state pa - Apr 12 2023

web pa fs 855 7 19 cash and snap payment issuance schedule keep this notice so you can refer to it for cash and snap supplemental nutrition assistance program the new name for food stamps benefits find

pa dpw food stamp schedule 2014 uniport edu - Feb 27 2022

web feb 21 2023 pa dpw food stamp schedule 2014 when people should go to the book stores search creation by shop shelf by shelf it is truly problematic this is why we offer the book compilations in this website it will agreed ease you to look guide pa dpw food stamp schedule 2014 as you such as

january 2023 20 work days services dpw state pa us - Dec 28 2021

web pa 1635 8 22 disbursement and corresponding dates for cash snap benefits march and april 2023 march 2023 23 work days the exact deadline for any county office is 5 pm on the date shown the exact benefit hold deadline for mail delivery i e non ebt benefits only for any county office is 5 pm on the date shown

cash and snap payment issuance schedule services dpw state pa - Jul 15 2023

web 00040m commonwealth of pennsylvania department of human services pa fs 855 10 21 payment issuance schedule keep this notice so you can refer to it for cash and snap supplemental nutrition assistance program the new name for food stamps benefits find the last digit of your case number read down the column to learn

lunch poems poem searcher - Jun 13 2023

web 45 lunch poems ranked in order of popularity and relevancy at poemsearcher com find thousands of poems categorized into thousands of categories

lunch poems modern award winning lunch poetry all poetry - Mar 10 2023

web poems about lunch at the world s largest poetry site ranked poetry on lunch by famous modern poets learn how to write a poem about lunch and share it

a thank you note by michael ryan poetry magazine - Nov 06 2022

web a thank you note by michael ryan for john skoyles my daughter made drawings with the pens you sent line drawings that suggest the things they represent different from any drawings she at ten had done closer to real art implying what the mind fills in for her mother she made a flower fragile on its stem for me a lion calm

thank you lunch lady etsy - Jul 02 2022

web personalized retired school lunch lady tumbler lunch crew cafeteria lady teacher thank you preschool back to school lunchroom helper lunch lady svg cafeteria lunch school appreciation week thank you lunch lady

[ladies that lunch poem by lodigiana cosmofunnel com](#) - Apr 30 2022

web sep 14 2019 we re ladies that lunched and we re happy that way this is a real gathering of strong wonderful women that have been the best support group anyone could ever want thank you girls

[11 best poems about lunch feast your eyes pick me up poetry](#) - Jul 14 2023

web oct 8 2022 11 best poems about lunch feast your eyes today i bring you a selection of poems about lunch whether you are eating at home at school or at work i am sure these poems will resonate with you although the lunch hour may seem mundane it can be a time to appreciate the simple things in life

thank you poems appreciation in poetry poemsource com - Apr 11 2023

web thank you poems free thank you poems thank you messages and appreciation poems for all occasions heartfelt and sincere this thank you poetry includes thank you for the gift poems thank you i really appreciate you your helpful giving ways and how your generous heartyour unselfishness displays

[thanks poems best poems for thanks poem hunter](#) - Sep 04 2022

web writing poetry is to help this community better understand life and live it more passionately poemhunter com contains an enormous number of famous poems from all over the world by both classical and modern poets you can read as many as you want and also submit your own poems to share your writings with all our poets members and visitors

dear lunch ladies power poetry - Feb 26 2022

web sep 7 2014 you assume i am not worthy of your time or maybe you feel like you have no time but if you can hear me i say slow down stop smile after all studies show you ll live longer with a smile let me know that you can hear me otherwise i won t want to say please and thank you how do you expect me to respect you when no one respects me

poems that say thank you poetry foundation - May 12 2023

web illustration by hyesu lee a poem can be a perfect thank you note whether you re glad for a nice dinner with friends see bernadette mayer s we eat out together or thanking a parent for a lifetime of sacrifice see robert hayden s those winter sundays

[lunch lady thank you quotes quotesgram](#) - Oct 05 2022

web discover and share lunch lady thank you quotes explore our collection of motivational and famous quotes by authors you know and love

26 heartfelt thank you poems to show appreciation joy - Aug 15 2023

web thanks for your smile that lights up a room thanks for your laugh that helps drive out the gloom thanks for your willingness always to help thanks for thinking of others before you think of yourself thanks a million for the million lovely things that you do but most of all thank you for just being you

lunch lady a poem by gogo all poetry - Mar 30 2022

web lobotomized1234 i dont like this poem i think you are just using this is a way to bash someone you are holding a grudge against maybe you should get to know the lunch lady before you bash her walk a mile in her shoes actually since you have so

lunch lady sayings on pinterest - Aug 03 2022

web explore a hand picked collection of pins about lunch lady sayings on pinterest

diary of a school nurse the lunch lady blogger - Dec 07 2022

web hopefully helpful school nurse tip the school year is full of recognition days it is nice to feel remembered and appreciated use this poem to help celebrate school lunch hero day the following poem was written many years ago by a former student who promises

thank you cards for lunch lady etsy - Jan 08 2023

web check out our thank you cards for lunch lady selection for the very best in unique or custom handmade pieces from our thank you cards shops

30 thoughtful ways to say thank you for the meal cake - Feb 09 2023

web dec 1 2022 i wanted to thank you again for meeting with me over lunch last week your advice and mentorship have been so valuable to me during this transitional point in my career i had every intention of picking up the check as a small show of appreciation but once again you ve proven that your generosity has no bounds

100 personal ways to say thank you for lunch - Jun 01 2022

web jan 12 2023 thank you for lunch yesterday it was absolutely delicious i tend to stick to my favorite restaurants because i like good food thank you for introducing me to that new restaurant i will definitely have to bring the wife back thank you for our wonderful lunch yesterday it was a delicious meal

thank you poem lunch ladies pdf pdf tax clone ortax - Dec 27 2021

web introduction thank you poem lunch ladies pdf pdf out of the dust janice mirikitani 2014 07 31 this is a collection of new poems by janice mirikitani written after the terrorist attack of 9 11 to the present

thank you poem lunch ladies sam arabtravelers - Jan 28 2022

web thank you poem lunch ladies downloaded from sam arabtravelers com by guest sofia bradshaw the collected poems of kenneth koch e artnow gritty and hard hitting this is thoughtful teen fiction at its finest seventeen year old tyler is the popular boy in high school after years of being the geek