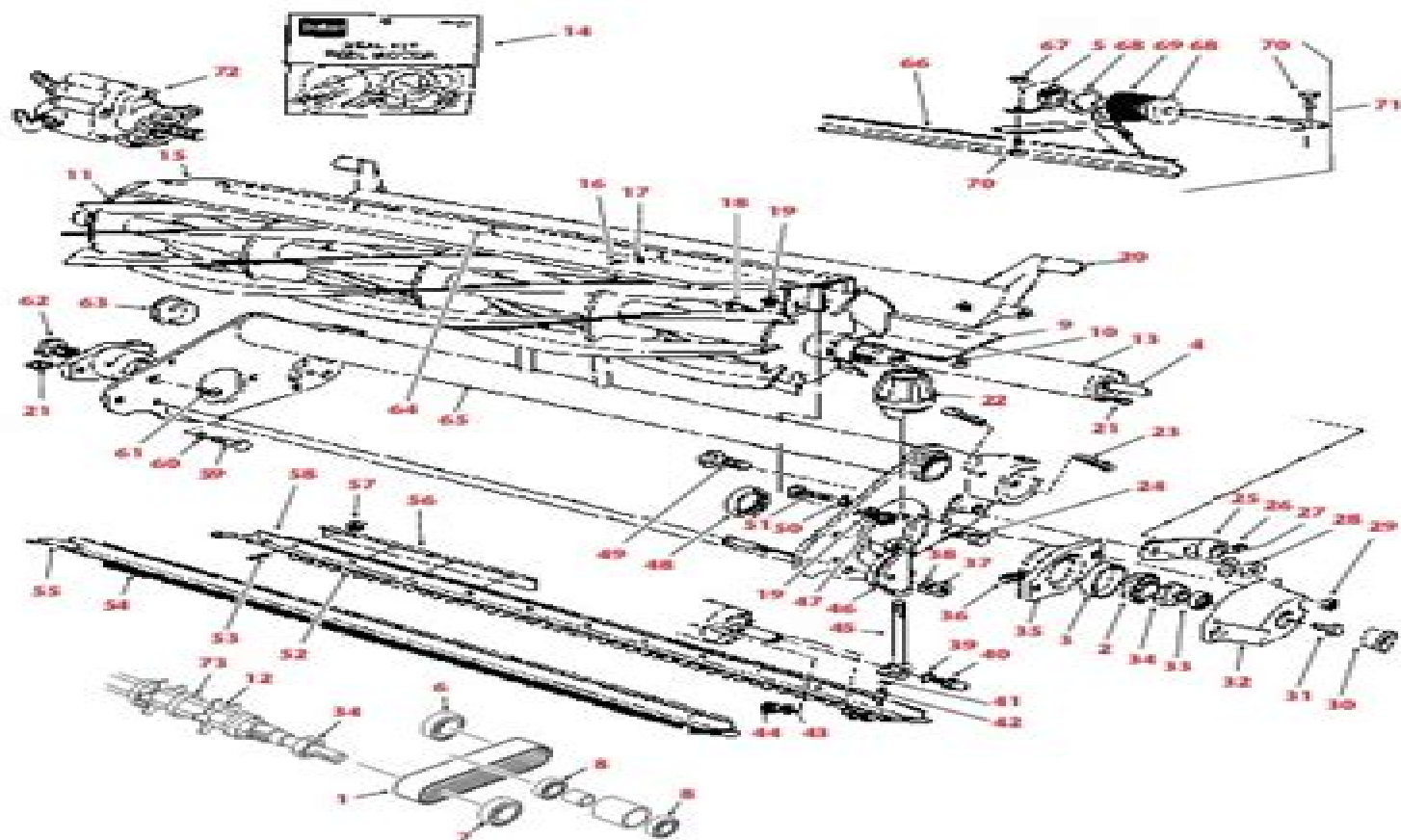


**RIDING GREENSMASTERS**  
 Greensmaster® 3/300/3000 Style  
**4-BOLT ADJUST CUTTING UNIT PARTS**



NOTE: Always consult your product's Parts Catalog to ensure ordering the correct part, the part needed may not be listed here.

# Toro Greensmaster 3100 Parts Manual

**Thomas Griffiths**



**Toro Greensmaster 3100 Parts Manual:**

Getting the books **Toro Greensmaster 3100 Parts Manual** now is not type of inspiring means. You could not unaided going in the manner of ebook accretion or library or borrowing from your associates to retrieve them. This is an unconditionally easy means to specifically acquire guide by on-line. This online pronouncement Toro Greensmaster 3100 Parts Manual can be one of the options to accompany you in the same way as having further time.

It will not waste your time. acknowledge me, the e-book will completely tune you extra event to read. Just invest tiny period to read this on-line revelation **Toro Greensmaster 3100 Parts Manual** as skillfully as evaluation them wherever you are now.

[http://www.frostbox.com/About/scholarship/HomePages/tony\\_tony\\_77\\_greatest\\_life\\_lessons.pdf](http://www.frostbox.com/About/scholarship/HomePages/tony_tony_77_greatest_life_lessons.pdf)

## **Table of Contents Toro Greensmaster 3100 Parts Manual**

1. Understanding the eBook Toro Greensmaster 3100 Parts Manual
  - The Rise of Digital Reading Toro Greensmaster 3100 Parts Manual
  - Advantages of eBooks Over Traditional Books
2. Identifying Toro Greensmaster 3100 Parts Manual
  - Exploring Different Genres
  - Considering Fiction vs. Non-Fiction
  - Determining Your Reading Goals
3. Choosing the Right eBook Platform
  - Popular eBook Platforms
  - Features to Look for in an Toro Greensmaster 3100 Parts Manual
  - User-Friendly Interface
4. Exploring eBook Recommendations from Toro Greensmaster 3100 Parts Manual
  - Personalized Recommendations
  - Toro Greensmaster 3100 Parts Manual User Reviews and Ratings
  - Toro Greensmaster 3100 Parts Manual and Bestseller Lists

5. Accessing Toro Greensmaster 3100 Parts Manual Free and Paid eBooks
  - Toro Greensmaster 3100 Parts Manual Public Domain eBooks
  - Toro Greensmaster 3100 Parts Manual eBook Subscription Services
  - Toro Greensmaster 3100 Parts Manual Budget-Friendly Options
6. Navigating Toro Greensmaster 3100 Parts Manual eBook Formats
  - ePub, PDF, MOBI, and More
  - Toro Greensmaster 3100 Parts Manual Compatibility with Devices
  - Toro Greensmaster 3100 Parts Manual Enhanced eBook Features
7. Enhancing Your Reading Experience
  - Adjustable Fonts and Text Sizes of Toro Greensmaster 3100 Parts Manual
  - Highlighting and Note-Taking Toro Greensmaster 3100 Parts Manual
  - Interactive Elements Toro Greensmaster 3100 Parts Manual
8. Staying Engaged with Toro Greensmaster 3100 Parts Manual
  - Joining Online Reading Communities
  - Participating in Virtual Book Clubs
  - Following Authors and Publishers Toro Greensmaster 3100 Parts Manual
9. Balancing eBooks and Physical Books Toro Greensmaster 3100 Parts Manual
  - Benefits of a Digital Library
  - Creating a Diverse Reading Collection Toro Greensmaster 3100 Parts Manual
10. Overcoming Reading Challenges
  - Dealing with Digital Eye Strain
  - Minimizing Distractions
  - Managing Screen Time
11. Cultivating a Reading Routine Toro Greensmaster 3100 Parts Manual
  - Setting Reading Goals Toro Greensmaster 3100 Parts Manual
  - Carving Out Dedicated Reading Time
12. Sourcing Reliable Information of Toro Greensmaster 3100 Parts Manual
  - Fact-Checking eBook Content of Toro Greensmaster 3100 Parts Manual
  - Distinguishing Credible Sources
13. Promoting Lifelong Learning

- Utilizing eBooks for Skill Development
  - Exploring Educational eBooks
14. Embracing eBook Trends
- Integration of Multimedia Elements
  - Interactive and Gamified eBooks

### **Toro Greensmaster 3100 Parts Manual Introduction**

In today's digital age, the availability of Toro Greensmaster 3100 Parts Manual books and manuals for download has revolutionized the way we access information. Gone are the days of physically flipping through pages and carrying heavy textbooks or manuals. With just a few clicks, we can now access a wealth of knowledge from the comfort of our own homes or on the go. This article will explore the advantages of Toro Greensmaster 3100 Parts Manual books and manuals for download, along with some popular platforms that offer these resources. One of the significant advantages of Toro Greensmaster 3100 Parts Manual books and manuals for download is the cost-saving aspect. Traditional books and manuals can be costly, especially if you need to purchase several of them for educational or professional purposes. By accessing Toro Greensmaster 3100 Parts Manual versions, you eliminate the need to spend money on physical copies. This not only saves you money but also reduces the environmental impact associated with book production and transportation. Furthermore, Toro Greensmaster 3100 Parts Manual books and manuals for download are incredibly convenient. With just a computer or smartphone and an internet connection, you can access a vast library of resources on any subject imaginable. Whether you're a student looking for textbooks, a professional seeking industry-specific manuals, or someone interested in self-improvement, these digital resources provide an efficient and accessible means of acquiring knowledge. Moreover, PDF books and manuals offer a range of benefits compared to other digital formats. PDF files are designed to retain their formatting regardless of the device used to open them. This ensures that the content appears exactly as intended by the author, with no loss of formatting or missing graphics. Additionally, PDF files can be easily annotated, bookmarked, and searched for specific terms, making them highly practical for studying or referencing. When it comes to accessing Toro Greensmaster 3100 Parts Manual books and manuals, several platforms offer an extensive collection of resources. One such platform is Project Gutenberg, a nonprofit organization that provides over 60,000 free eBooks. These books are primarily in the public domain, meaning they can be freely distributed and downloaded. Project Gutenberg offers a wide range of classic literature, making it an excellent resource for literature enthusiasts. Another popular platform for Toro Greensmaster 3100 Parts Manual books and manuals is Open Library. Open Library is an initiative of the Internet Archive, a non-profit organization dedicated to digitizing cultural artifacts and making them accessible to the public. Open Library hosts millions of books, including both public domain works

and contemporary titles. It also allows users to borrow digital copies of certain books for a limited period, similar to a library lending system. Additionally, many universities and educational institutions have their own digital libraries that provide free access to PDF books and manuals. These libraries often offer academic texts, research papers, and technical manuals, making them invaluable resources for students and researchers. Some notable examples include MIT OpenCourseWare, which offers free access to course materials from the Massachusetts Institute of Technology, and the Digital Public Library of America, which provides a vast collection of digitized books and historical documents. In conclusion, Toro Greensmaster 3100 Parts Manual books and manuals for download have transformed the way we access information. They provide a cost-effective and convenient means of acquiring knowledge, offering the ability to access a vast library of resources at our fingertips. With platforms like Project Gutenberg, Open Library, and various digital libraries offered by educational institutions, we have access to an ever-expanding collection of books and manuals. Whether for educational, professional, or personal purposes, these digital resources serve as valuable tools for continuous learning and self-improvement. So why not take advantage of the vast world of Toro Greensmaster 3100 Parts Manual books and manuals for download and embark on your journey of knowledge?

### **FAQs About Toro Greensmaster 3100 Parts Manual Books**

**What is a Toro Greensmaster 3100 Parts Manual PDF?** A PDF (Portable Document Format) is a file format developed by Adobe that preserves the layout and formatting of a document, regardless of the software, hardware, or operating system used to view or print it. **How do I create a Toro Greensmaster 3100 Parts Manual PDF?** There are several ways to create a PDF: Use software like Adobe Acrobat, Microsoft Word, or Google Docs, which often have built-in PDF creation tools. Print to PDF: Many applications and operating systems have a "Print to PDF" option that allows you to save a document as a PDF file instead of printing it on paper. Online converters: There are various online tools that can convert different file types to PDF. **How do I edit a Toro Greensmaster 3100 Parts Manual PDF?** Editing a PDF can be done with software like Adobe Acrobat, which allows direct editing of text, images, and other elements within the PDF. Some free tools, like PDFescape or Smallpdf, also offer basic editing capabilities. **How do I convert a Toro Greensmaster 3100 Parts Manual PDF to another file format?** There are multiple ways to convert a PDF to another format: Use online converters like Smallpdf, Zamzar, or Adobe Acrobats export feature to convert PDFs to formats like Word, Excel, JPEG, etc. Software like Adobe Acrobat, Microsoft Word, or other PDF editors may have options to export or save PDFs in different formats. **How do I password-protect a Toro Greensmaster 3100 Parts Manual PDF?** Most PDF editing software allows you to add password protection. In Adobe Acrobat, for instance, you can go to "File" -> "Properties" -> "Security" to set a password to

restrict access or editing capabilities. Are there any free alternatives to Adobe Acrobat for working with PDFs? Yes, there are many free alternatives for working with PDFs, such as: LibreOffice: Offers PDF editing features. PDFsam: Allows splitting, merging, and editing PDFs. Foxit Reader: Provides basic PDF viewing and editing capabilities. How do I compress a PDF file? You can use online tools like Smallpdf, ILovePDF, or desktop software like Adobe Acrobat to compress PDF files without significant quality loss. Compression reduces the file size, making it easier to share and download. Can I fill out forms in a PDF file? Yes, most PDF viewers/editors like Adobe Acrobat, Preview (on Mac), or various online tools allow you to fill out forms in PDF files by selecting text fields and entering information. Are there any restrictions when working with PDFs? Some PDFs might have restrictions set by their creator, such as password protection, editing restrictions, or print restrictions. Breaking these restrictions might require specific software or tools, which may or may not be legal depending on the circumstances and local laws.

### **Find Toro Greensmaster 3100 Parts Manual :**

[tony tony 77 greatest life lessons](#)

[top notch fundamentals teacher edition](#)

[toll house cookie chocolate chip recipe](#)

[today show recipe for pumpkin cheesecake](#)

[top secret recipe key lime cheesecake](#)

[tony gaddis lab manual solutions](#)

[toerisme graad 1vraestelle en memorandums2014](#)

[tomtom go 510 service manual](#)

[together jasmine nights](#)

[top notch 1 second edition workbook answers](#)

[tomtom gps 4ev5z1230](#)

**too late for dyin**

[to the heart of truth](#)

**top 10 management journals**

**to seduce a sinner**



**Toro Greensmaster 3100 Parts Manual :**

*mcqs on dental anatomy histology and embryology* - Mar 02 2022

web jan 7 2020 mcqs on dental anatomy histology and embryology pdf embryology created by maik moeller studio is offered in word pdf ppt txt zip kindle and also rar get it now this ebook mcqs on dental anatomy histology and embryology by maik moeller studio freely here

chapter 31 multiple choice questions oxford university press - Apr 15 2023

web instructions answer the following questions and then press submit to get your score question 1 which of the following structures should be visible on a dental panoramic radiograph a the mandibular canal b the mandibular canal and maxillary sinus c the mandibular canal maxillary sinus and hard palate

**dental mcq questions and answers for bds mds students** - Dec 31 2021

web apr 25 2021 the aspirants who are going to attend the written exam can start downloading the model question papers of dental anatomy mcq pdf the direct links enclosed below to get the pdfs of dental mcq previous papers along with the solutions

**dental anatomy quiz 1 unit 1 review questions flashcards** - Oct 09 2022

web 4 is found at a constantly changing level on the crown 5 always separates the clinical crown and root 2 always separates the anatomical crown and root oblique ridges are dental structures which are normally found on the crowns of maxillary molars only on the crowns of teeth contact areas are located on 1

mcqs in dental anatomy pdf pdf scribd - Apr 03 2022

web mcqs in dental anatomy pdf 1 free download as pdf file pdf or read online for free dental anatomy dental anatomy save save mcqs in dental anatomy pdf 1 for later 0 ratings 0 found this document useful 0 votes 32 views 101 pages mcqs in dental anatomy pdf original title

**dental anatomy quizzes questions answers proprofs** - Feb 01 2022

web may 3 2023 trivia quiz premolar anatomy and functions trivia quiz questions 18 attempts 1666 last updated mar 21 2023 sample question checkmark all of the general features that associate with premolars 3 roots 2 roots 1 root shorter crown than anteriors vertical buccal ridge root concavities tooth anatomy basics trivia quiz

**useful questions quizzes for dental students dentalnotebook** - Jun 17 2023

web mcqs saqs and other questions for dental students including anatomy physiology histology biochemistry microbiology ortho perio paed endo and more

*multiple choice questions oxford university press* - Aug 19 2023

web atkinson anatomy for dental students multiple choice questions please be aware that not all chapters have

accompanying questions and the number of questions varies between chapters

**chapter 26 multiple choice questions oxford university press** - Jan 12 2023

web dentistry atkinson anatomy for dental students student resources multiple choice questions chapter 26 multiple choice questions

practice free neet mds clinical questions dental anatomy - Aug 27 2021

web q 1 a patient is unable to move his neck to the left also rotating and bending the neck on the same side when the head is tilted to the left the chin moves to right which of the following muscle is responsible a scm b trapezius c platysma d scalene

click here for answer and detailed explanation q 2

*dental anatomy quizzes and tooth diagrams kenhub* - Feb 13 2023

web jul 5 2023 want to ace your dental anatomy exam questions easily learn the parts of the tooth with kenhub using our tooth diagrams and dental anatomy quizzes

**mcqs pdf pdf dental anatomy tooth scribd** - Nov 29 2021

web 1 the premolar which is most often double rooted is the a maxillary first b maxillary second c mandibular first d mandibular second the correct answer is a maxillary first premolars are almost always double rooted when single rooted they always have two separate root canals

anatomy for dental students paperback oxford university press - May 04 2022

web martin e atkinson isbn 9780199234462 384 pages 276x219mm price 73 00 illustrated with over 300 full colour diagrams and written with an emphasis on the practical application of anatomical knowledge anatomy for dental students fourth edition covers every aspect of anatomy that dental students need to know purchase options

*chapter 27 multiple choice questions oxford university press* - Mar 14 2023

web dentistry atkinson anatomy for dental students student resources multiple choice questions chapter 27 multiple choice questions

chapter 25 multiple choice questions oxford university press - Dec 11 2022

web dentistry atkinson anatomy for dental students student resources multiple choice questions chapter 25 multiple choice questions

**mcqs for netter s head and neck anatomy for dentistry e book** - Sep 08 2022

web nov 12 2015 mcqs for netter s head and neck anatomy for dentistry e book author elsevier ltd edition revised publisher elsevier health sciences 2015 isbn 0702069779 9780702069772 length 200 pages subjects

*oral anatomy mcqs with answer for competitive exam academic* - Jun 05 2022

web sep 8 2020 in this section we focus on all areas of mcqs on oral anatomy subject and cover all important topics of

anatomy of the mouth and teeth like basic oral anatomy calcification and eruption of teeth deciduous dentition occlusion permanent dentition physiologic form of tooth and periodontium physiologic form of tooth and  
*dental mcqs multiple choice questions in dentistry* - Sep 27 2021

web most important operative dentistry mcqs with explanations mcqs in endodontics disinfection and obturation mcqs on odontogenic infections oral and maxillofacial surgery

**deciduous teeth 1 oral anatomy mcqs for dental students** - Oct 29 2021

web aug 27 2021 deciduous teeth wikidentia sign in to google to save your progress learn more 1 which of the following deciduous molars bears the greatest resemblance to a premolar 1 point a maxillary first b maxillary second c mandibular first  
*quick review of dental anatomy and occlusion mcqs* - Jul 06 2022

web quick review of dental anatomy and occlusion mcqs the only symbolic tooth numbering system is a fdi system b palmer system c universal system d ada system resorption in primary central incisors begin at a 2 years b 3 years

chapter 22 multiple choice questions oxford university press - May 16 2023

web question 1 the coronal suture joins the a frontal and parietal bones b left and right parietal bones c parietal and occipital bones d parietal squamous temporal and greater wing of the sphenoid question 2 which of the following bones has a process that joins with the zygomatic bone to form the zygomatic arch a the maxillary bone

*chapter 28 multiple choice questions oxford university press* - Nov 10 2022

web dentistry atkinson anatomy for dental students student resources multiple choice questions chapter 28 multiple choice questions

*dental anatomy mcqs dental anatomy i studocu* - Aug 07 2022

web dental anatomy questions 1 with answers dental anatomy questions 2 with answers geomatric outlines of the teeth dental anatomy final revision cell division hand summary cell organelles hand summary

mcqs from dental anatomy flashcards quizlet - Jul 18 2023

web created by efitz95 terms in this set 30 which of the following would not be considered a hard tissue a enamel b dentin c cementum d pulp d pulp a proximal surface is a facial buccal b mesial c lingual d a c b mesial teeth are responsible for a the digestion of food b the importance of speech c one s personal appearance

*particles and forces particle physics brick by brick youtube* - Apr 11 2023

web apr 13 2020 particles and forces particle physics brick by brick understanding particle physics through the medium of lego more info at bit ly legophysics understanding particle

*particle physics brick by brick still ben amazon com au books* - Jan 28 2022

web sep 26 2017 i have been tinkering in the margins of quantum physics and necessarily therefore particle physics for

some time now this book brings together the particle bit extremely well it explains the physics very well without the complex maths and brings all the little bits into one handy reference perfect for my little brain

[particle physics brick by brick atomic and subatomic p](#) - Jun 13 2023

web mar 21 2018 a useful introduction to basic particle physics and quantum physics the whole building elements from bricks thing on the book cover is something of a lie unless you want to sit with sacks of lego bricks and build all the necessary particles for a

[particle physics brick by brick still dr ben amazon com tr](#) - Mar 30 2022

web particle physics brick by brick still dr ben amazon com tr Çerez tercihlerinizi seçin alışveriş deneyiminizi geliştirmek hizmetlerimizi sunmak müşterilerin hizmetlerimizi nasıl kullandığını anlayarak iyileştirmeler yapabilmek ve ilgi alanlarına göre özelleştirilmiş reklamlar da dahil olmak üzere reklamları

[particle physics brick by brick atomic and subatomic physics explained](#) - Apr 30 2022

web particle physics brick by brick starts with the big bang and along the way the constructs and interactions within and among atoms and sub atomic particles and the forces that play upon them are clearly explained with each lego block representing a different atomic or sub atomic particle

**particle physics brick by brick still ben ebook amazon com** - Jul 02 2022

web sep 21 2017 by ben still author format kindle edition 4 7 198 ratings see all formats and editions using lego blocks to create a uniquely visual and clear depiction of the way our universe is put together this is the perfect introduction to the enigmatic and fascinating world of quantum physics

**pdf particle physics brick by brick atomic and subatomic physics** - Feb 26 2022

web feb 7 2023 particle physics brick by brick is a succinct introduction for anyone that wants to gain a basic understanding of the atomic world its elements and how they interact by using tangible substitutes bricks it brings

[particle physics brick by brick dr ben still](#) - Mar 10 2023

web particle physics brick by brick uk us and canada a unique and fascinating exploration of the building blocks that make up our universe using lego to demonstrate and elucidate all matter comprises of twelve building block particles

**particle physics brick by brick dr ben still google books** - Dec 07 2022

web using lego blocks to create a uniquely visual and clear depiction of the way our universe is put together this is the perfect introduction to the enigmatic and fascinating world of quantum physics our story starts with the big bang and along the way the constructs and interactions within and among atoms and sub atomic particles and the forces that play

**download particle physics brick by brick atomic and subatomic physics** - Dec 27 2021

web particle physics brick by brick is a succinct introduction for anyone that wants to gain a basic understanding of the

atomic world its elements and how they interact by using tangible substitutes bricks it brings the unseen atomic world into the realm of

*pdf particle physics brick by brick researchgate* - Aug 15 2023

web sep 21 2017 particle physics brick by brick authors ben still abstract spend a few hours perusing these pages and you ll be in a much better frame of mind to understand your place in the cosmos the

*lego physics and analogies particle physics brick by brick* - May 12 2023

web lego physics and analogies particle physics brick by brick understanding particle physics through the medium of lego more info at bit ly legophysics understanding particle

*particle physics brick by brick stem learning* - Oct 05 2022

web particle physics brick by brick using lego blocks to create a uniquely visual and clear depiction of the way our universe is put together this is the perfect introduction to the enigmatic and fascinating world of quantum physics

**particle physics brick by brick google books** - Feb 09 2023

web particle physics brick by brick is a succinct introduction for anyone that wants to gain a basic understanding of the atomic world its elements and how they interact by using tangible substitutes bricks it brings the unseen atomic world into the realm of the visual

**new books media physics today aip publishing** - Sep 04 2022

web may 1 2018 particle physics brick by brick atomic and subatomic physics explained in lego ben still firefly books 2018 24 95 paper in this colorful explanation of particle physics author and physicist ben still uses a popular children s toy to illustrate the realm of the very small

**particle physics brick by brick dr ben still youtube** - Aug 03 2022

web institute of physics open lecture hosted by the open university particle physics brick by brick dr ben still university of londonben uses lego blocks to c

**iop online public lecture particle physics brick by brick** - Nov 06 2022

web institute of physics open lecture hosted by the open university particle physics brick by brick dr ben still university of london ben uses lego blocks to create a uniquely visual and clear depiction of the way that our universe is put together and give perfect introduction to the enigmatic and fascinating world of quantum physics

[a levelbooklet particle physics research centre](#) - Jun 01 2022

web this booklet is designed to cover the particle physics a level specification requirements for all major uk exam boards it is designed to be used with the book particle physics brick by brick by dr ben still this book uses a lego analogy to cover the standard model of particle physics to a level and beyond

[particle physics brick by brick atomic and subatomic physics](#) - Jul 14 2023

web mar 21 2018 [particle physics brick by brick](#) is a succinct introduction for anyone that wants to gain a basic understanding of the atomic world its elements and how they interact by using tangible substitutes bricks it brings the *particle physics brick by brick brick by brick amazon co uk* - Jan 08 2023

web sep 21 2017 [buy particle physics brick by brick brick by brick atomic and subatomic physics explained in lego 1 by still dr ben isbn 9781844039340 from amazon s book store everyday low prices and free delivery on eligible orders](#)  
*zd30 the good the bad the issues how to help your turbo engine* - Nov 08 2022

web aug 13 2018 [if you own a y61 gu nissan patrol with a zd30 3 0l di cr turbo diesel engine these are invaluable tips to help you increase the life expectancy of your engine the zd30 engine has suffered a poor reputation for premature failures including melting cracking pistons and over boosting largely due to some common](#)  
*list of nissan diesel engines model code power output* - Sep 06 2022

web nov 16 2023 [the nissan bd engine is a series of automobile and light truck diesel engines manufactured by the nissan diesel all bd engines had 4 cylinders there are 2 5 l and 3 0 l version with direct fuel injection system bd25 2 5 l 82 ps 59 kw 81 hp bd30 3 0 l 100 ps 74 kw 98 hp cd series](#)

**nissan engines specifications motor oil fuel consumption** - May 02 2022

web the 2 2 liter nissan yd22ddti diesel engine or yd22 for short was produced from 2001 to 2007 and was installed on several popular concern models such as almera tino primera and x trail in addition to the common rail version there was also a yd22eti modification with a vp44 electronic high pressure fuel pump

**nissan zd30 engine rev to limit view youtube** - Jun 03 2022

web mar 19 2021 [nissan zd30 engine rev to limit view mrtalentedreid](#) the nissan zd30 engine family is a 3 0 litres 2 953 cc inline four cylinder diesel engine with a bore and stroke of 96 mm 102 mm 3 78 in

[how to help your nissan patrol zd30 turbo engine](#) - Dec 09 2022

web call us on 0385553989 [if you own a y61 gu nissan patrol with a zd30 3 0l di cr turbo diesel engine these are invaluable tips to help you increase the life expectancy of your engine the zd30 engine has suffered a poor reputation for premature failures including melting cracking pistons and over boosting largely due to some common](#)

[engine nissan zd30 mymotorlist com](#) - May 14 2023

web specifications zd30ddti and zd30dd are fairly well known diesels manufactured by nissan the concern started designing them in the second half of the 90s but started active production only in 1999 and 2000 at first these units had a lot of flaws so they were seriously criticized by the automotive community

**engine nissan zd30 dti 16v 3 0 ltr mag engines** - Oct 07 2022

web description condition remanufactured as illustrated item name engine nissan zd30 di dti engine zd30 di dti 16v 3 0 ltr years 2000 06 warranty unit with 3 months warranty apply on parts only no labour cost towing or rentals covered note please make sure that this unit is not

*nissan zd engine wikiwand* - Feb 11 2023

web the nissan zd30 engine family is a 3 0 litre 2 953 cc inline four cylinder diesel engine with a bore and stroke of 96 mm 102 mm 3 78 in 4 02 in that replaced the nissan qd bd and td engines

**nissan zd30 diesel engine price competitive and fast delivery** - Jul 16 2023

web nissan zd30 diesel engine strong power max liter power upto 50kw l max torque upto 540n m low fuel consumption lowest fuel consumption rate at rated power 208g kw h good reliability engine been through the test of high temp extremely cold high humidity and plateau working condition

zd30 nissan engine part data for rebuilders and car repair - Aug 05 2022

web start to take advantage of our extensive online parts and motor adjustment data database today more information sign up

*zd30 patrol your guide to the nissan patrol zd30 engine* - Aug 17 2023

web oct 26 2020 optional on the patrol station wagons as well as the tradie farmer oriented cab chassis line up the zd30 was not just a four cylinder engine but a much more modern take on the turbo diesel engine theme complete with technology such as balance shafts double overhead camshafts and even four valves per cylinder

**nissan patrol guide to the zd30 3 0 litre motor youtube** - Apr 13 2023

web feb 2 2021 0 00 11 55 nissan patrol guide to the zd30 3 0 litre motor unfastened 4 46k subscribers subsc