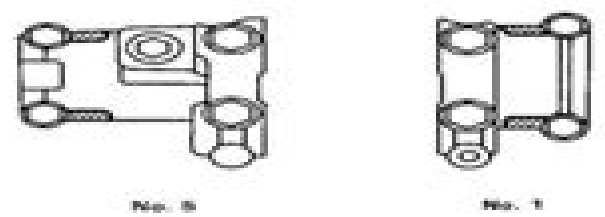


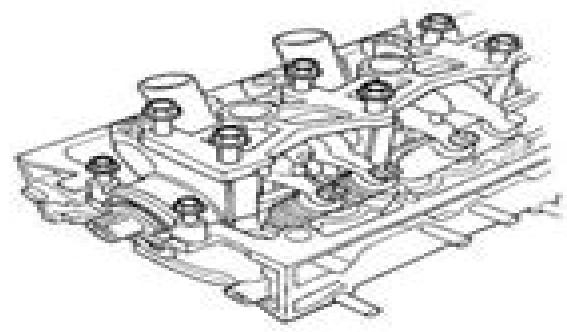


4. Apply liquid gasket to the head mating surface of the No. 1 and No. 5 or No. 6 cam holders.
— Apply liquid gasket to the shaded areas.

D1626, D1521 engine:



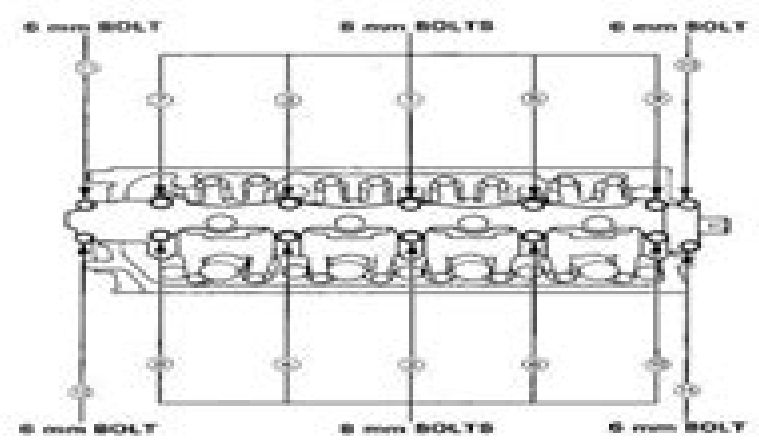
5. Set the rocker arm assembly in place and loosely install the bolts.
— Make sure that the rocker arms are properly positioned on the valve stems.



6. Tighten each bolt two turns at a time, in the sequence shown below, to ensure that the rockers do not bind the valves.

Specified torque:
8 mm bolts: 22 N·m (2.2 kg·m, 16 lb-ft)
6 mm bolts: 12 N·m (1.2 kg·m, 9 lb-ft)

D1626 engine:



(cont'd)

Torque Setting For Tazz Cilinder Head

Rosina Ehmman



Torque Setting For Tazz Cilinder Head:
Torque Tables Fel-Pro Incorporated,1980

The book delves into Torque Setting For Tazz Cilinder Head. Torque Setting For Tazz Cilinder Head is a crucial topic that needs to be grasped by everyone, from students and scholars to the general public. This book will furnish comprehensive and in-depth insights into Torque Setting For Tazz Cilinder Head, encompassing both the fundamentals and more intricate discussions.

1. The book is structured into several chapters, namely:

- Chapter 1: Introduction to Torque Setting For Tazz Cilinder Head
- Chapter 2: Essential Elements of Torque Setting For Tazz Cilinder Head
- Chapter 3: Torque Setting For Tazz Cilinder Head in Everyday Life
- Chapter 4: Torque Setting For Tazz Cilinder Head in Specific Contexts
- Chapter 5: Conclusion

2. In chapter 1, the author will provide an overview of Torque Setting For Tazz Cilinder Head. The first chapter will explore what Torque Setting For Tazz Cilinder Head is, why Torque Setting For Tazz Cilinder Head is vital, and how to effectively learn about Torque Setting For Tazz Cilinder Head.

3. In chapter 2, this book will delve into the foundational concepts of Torque Setting For Tazz Cilinder Head. The second chapter will elucidate the essential principles that need to be understood to grasp Torque Setting For Tazz Cilinder Head in its entirety.

4. In chapter 3, the author will examine the practical applications of Torque Setting For Tazz Cilinder Head in daily life. The third chapter will showcase real-world examples of how Torque Setting For Tazz Cilinder Head can be effectively utilized in everyday scenarios.

5. In chapter 4, this book will scrutinize the relevance of Torque Setting For Tazz Cilinder Head in specific contexts. The fourth chapter will explore how Torque Setting For Tazz Cilinder Head is applied in specialized fields, such as education, business, and technology.

6. In chapter 5, the author will draw a conclusion about Torque Setting For Tazz Cilinder Head. The final chapter will summarize the key points that have been discussed throughout the book.

The book is crafted in an easy-to-understand language and is complemented by engaging illustrations. This book is highly recommended for anyone seeking to gain a comprehensive understanding of Torque Setting For Tazz Cilinder Head.

http://www.frostbox.com/files/detail/Download_PDFS/unisa_preliminary_time_table_2015.pdf

Table of Contents Torque Setting For Tazz Cilinder Head

1. Understanding the eBook Torque Setting For Tazz Cilinder Head
 - The Rise of Digital Reading Torque Setting For Tazz Cilinder Head
 - Advantages of eBooks Over Traditional Books
2. Identifying Torque Setting For Tazz Cilinder Head
 - Exploring Different Genres
 - Considering Fiction vs. Non-Fiction
 - Determining Your Reading Goals
3. Choosing the Right eBook Platform
 - Popular eBook Platforms
 - Features to Look for in an Torque Setting For Tazz Cilinder Head
 - User-Friendly Interface
4. Exploring eBook Recommendations from Torque Setting For Tazz Cilinder Head
 - Personalized Recommendations
 - Torque Setting For Tazz Cilinder Head User Reviews and Ratings
 - Torque Setting For Tazz Cilinder Head and Bestseller Lists
5. Accessing Torque Setting For Tazz Cilinder Head Free and Paid eBooks
 - Torque Setting For Tazz Cilinder Head Public Domain eBooks
 - Torque Setting For Tazz Cilinder Head eBook Subscription Services
 - Torque Setting For Tazz Cilinder Head Budget-Friendly Options
6. Navigating Torque Setting For Tazz Cilinder Head eBook Formats
 - ePub, PDF, MOBI, and More
 - Torque Setting For Tazz Cilinder Head Compatibility with Devices
 - Torque Setting For Tazz Cilinder Head Enhanced eBook Features
7. Enhancing Your Reading Experience
 - Adjustable Fonts and Text Sizes of Torque Setting For Tazz Cilinder Head
 - Highlighting and Note-Taking Torque Setting For Tazz Cilinder Head
 - Interactive Elements Torque Setting For Tazz Cilinder Head

8. Staying Engaged with Torque Setting For Tazz Cilinder Head
 - Joining Online Reading Communities
 - Participating in Virtual Book Clubs
 - Following Authors and Publishers Torque Setting For Tazz Cilinder Head
9. Balancing eBooks and Physical Books Torque Setting For Tazz Cilinder Head
 - Benefits of a Digital Library
 - Creating a Diverse Reading Collection Torque Setting For Tazz Cilinder Head
10. Overcoming Reading Challenges
 - Dealing with Digital Eye Strain
 - Minimizing Distractions
 - Managing Screen Time
11. Cultivating a Reading Routine Torque Setting For Tazz Cilinder Head
 - Setting Reading Goals Torque Setting For Tazz Cilinder Head
 - Carving Out Dedicated Reading Time
12. Sourcing Reliable Information of Torque Setting For Tazz Cilinder Head
 - Fact-Checking eBook Content of Torque Setting For Tazz Cilinder Head
 - Distinguishing Credible Sources
13. Promoting Lifelong Learning
 - Utilizing eBooks for Skill Development
 - Exploring Educational eBooks
14. Embracing eBook Trends
 - Integration of Multimedia Elements
 - Interactive and Gamified eBooks

Torque Setting For Tazz Cilinder Head Introduction

In this digital age, the convenience of accessing information at our fingertips has become a necessity. Whether its research papers, eBooks, or user manuals, PDF files have become the preferred format for sharing and reading documents. However, the cost associated with purchasing PDF files can sometimes be a barrier for many individuals and organizations. Thankfully, there are numerous websites and platforms that allow users to download free PDF files legally. In this article, we will explore some of the best platforms to download free PDFs. One of the most popular platforms to download free PDF files is Project

Gutenberg. This online library offers over 60,000 free eBooks that are in the public domain. From classic literature to historical documents, Project Gutenberg provides a wide range of PDF files that can be downloaded and enjoyed on various devices. The website is user-friendly and allows users to search for specific titles or browse through different categories. Another reliable platform for downloading Torque Setting For Tazz Cilinder Head free PDF files is Open Library. With its vast collection of over 1 million eBooks, Open Library has something for every reader. The website offers a seamless experience by providing options to borrow or download PDF files. Users simply need to create a free account to access this treasure trove of knowledge. Open Library also allows users to contribute by uploading and sharing their own PDF files, making it a collaborative platform for book enthusiasts. For those interested in academic resources, there are websites dedicated to providing free PDFs of research papers and scientific articles. One such website is Academia.edu, which allows researchers and scholars to share their work with a global audience. Users can download PDF files of research papers, theses, and dissertations covering a wide range of subjects. Academia.edu also provides a platform for discussions and networking within the academic community. When it comes to downloading Torque Setting For Tazz Cilinder Head free PDF files of magazines, brochures, and catalogs, Issuu is a popular choice. This digital publishing platform hosts a vast collection of publications from around the world. Users can search for specific titles or explore various categories and genres. Issuu offers a seamless reading experience with its user-friendly interface and allows users to download PDF files for offline reading. Apart from dedicated platforms, search engines also play a crucial role in finding free PDF files. Google, for instance, has an advanced search feature that allows users to filter results by file type. By specifying the file type as "PDF," users can find websites that offer free PDF downloads on a specific topic. While downloading Torque Setting For Tazz Cilinder Head free PDF files is convenient, it's important to note that copyright laws must be respected. Always ensure that the PDF files you download are legally available for free. Many authors and publishers voluntarily provide free PDF versions of their work, but it's essential to be cautious and verify the authenticity of the source before downloading Torque Setting For Tazz Cilinder Head. In conclusion, the internet offers numerous platforms and websites that allow users to download free PDF files legally. Whether it's classic literature, research papers, or magazines, there is something for everyone. The platforms mentioned in this article, such as Project Gutenberg, Open Library, Academia.edu, and Issuu, provide access to a vast collection of PDF files. However, users should always be cautious and verify the legality of the source before downloading Torque Setting For Tazz Cilinder Head any PDF files. With these platforms, the world of PDF downloads is just a click away.

FAQs About Torque Setting For Tazz Cilinder Head Books

How do I know which eBook platform is the best for me? Finding the best eBook platform depends on your reading

preferences and device compatibility. Research different platforms, read user reviews, and explore their features before making a choice. Are free eBooks of good quality? Yes, many reputable platforms offer high-quality free eBooks, including classics and public domain works. However, make sure to verify the source to ensure the eBook credibility. Can I read eBooks without an eReader? Absolutely! Most eBook platforms offer web-based readers or mobile apps that allow you to read eBooks on your computer, tablet, or smartphone. How do I avoid digital eye strain while reading eBooks? To prevent digital eye strain, take regular breaks, adjust the font size and background color, and ensure proper lighting while reading eBooks. What the advantage of interactive eBooks? Interactive eBooks incorporate multimedia elements, quizzes, and activities, enhancing the reader engagement and providing a more immersive learning experience. Torque Setting For Tazz Cilinder Head is one of the best book in our library for free trial. We provide copy of Torque Setting For Tazz Cilinder Head in digital format, so the resources that you find are reliable. There are also many Ebooks of related with Torque Setting For Tazz Cilinder Head. Where to download Torque Setting For Tazz Cilinder Head online for free? Are you looking for Torque Setting For Tazz Cilinder Head PDF? This is definitely going to save you time and cash in something you should think about.

Find Torque Setting For Tazz Cilinder Head :

unisa preliminary time table 2015

[unit 5 earth science study guide for content mastery](#)

unit 5 homework 2 answers gina wilson

[unit test e2020](#)

unit 1 holt physics notes

unit 8 campbell reece biology study guide

[unit 1 unites states e2020 answers](#)

[unit 6 exponent quiz 6 1 answers](#)

unit 5 vhlcentral french key

uniform plumbing code study guide

unit quiz problem solving theory

unisa career guide

uniden premium dect 3035 manual

unit 3 macroeconomics test answers

[uniden dxai5588 2 manual](#)

Torque Setting For Tazz Cilinder Head :

normandy 44 d day and the battle for france national army - Oct 10 2022

web jun 5 2020 battle of normandy d day enabled the allies to establish a foothold on the beaches of normandy but they still faced the task of breaking out pushing the germans back and liberating france

normandy 44 d day and the battle for france youtube - Jun 06 2022

web dec 28 2020 introduction normandy 44 d day and the battle for france nationalarmymuseumuk 21 5k subscribers subscribe 5 4k views 2 years ago this video is a recording of a live talk originally streamed on

normandy 44 d day and the battle for france - Sep 09 2022

web based on research for his best selling book historian james holland with ex us army ranger dr mike simpson tour not only the beaches but the wider normandy battlefield in this fresh and original series that finally does justice to the scale and complexity of an epic brutal campaign

normandy 44 d day and the battle for france hardcover - Mar 03 2022

web may 16 2019 buy normandy 44 d day and the battle for france circa by holland james isbn 9781787631274 from amazon s book store everyday low prices and free delivery on eligible orders

normandy 44 d day and the battle for france imdb - Sep 21 2023

web normandy 44 d day and the battle for france with james holland mike simpson paul woodadge historian james holland and ex us army ranger dr mike simpson tour the wider normandy battlefield in a fresh and original series that finally does justice to the scale and complexity of an epic brutal campaign

normandy 44 d day and the battle for france amazon com tr - Jan 01 2022

web james holland s new book normandy 44 d day and the battle for france stretches to 540 pages of text illustrated by more than 50 contemporary monochrome photos it contains extensive appendices and notes and some excellent maps

normandy 44 d day and the battle for france streaming - Apr 16 2023

web normandy 44 d day and the battle for france watch online stream buy or rent you are able to buy normandy 44 d day and the battle for france on amazon video as download

d day and the normandy campaign the national wwii museum - Jun 18 2023

web jun 6 2021 d day and the normandy campaign on june 6 1944 the long awaited allied landing in northern france began facing hitlers atlantic wall soldiers of the united states united kingdom canada and other allied nations landed on beaches in normandy beginning a campaign which lasted until july 24 1944

normandy 44 d day and the battle for france apple tv - Jan 13 2023

web mar 22 2020 episode 1 d day james holland and mike simpson examine the preparations for the invasion across

southern england before crossing the channel to normandy the film takes us to both landing beaches and the hidden corners of the battlefield still home to evidence of bitter fighting

[normandy 44 d day and the battle for france paperback](#) - Feb 02 2022

web normandy 44 d day and the battle for france paperback 3 november 2020 from established historian james holland this is the top ten bestselling and second biggest history book of 2019 a superb account of the invasion that deserves immense praise to convey the human drama of normandy requires great knowledge and sensitivity

[d day normandy 44 d day and the battle for france season](#) - Aug 08 2022

web mar 21 2020 released 2020 run time 48 min languages original audio english united kingdom subtitles english united states sdh james holland and mike simpson examine the preparations for the invasion across southern england before crossing the channel to normandy the film tak

review normandy 44 d day and the battle for france - Jul 19 2023

web aug 15 2019 on 6 june 2019 it was the 75th anniversary of d day the first stage of the epic battle for normandy a truly monumental event that defined the beginning of the end for the german occupation of france and initiated the

[normandy 44 d day and the battle for france vimeo](#) - May 17 2023

web mar 23 2020 based on research for his best selling book historian james holland with ex us army ranger dr mike simpson tour not only the beaches but the wider normandy battlefield watch normandy 44 d day and the battle for france online vimeo on demand on vimeo

[normandy invasion definition map photos casualties facts](#) - Aug 20 2023

web it was launched on june 6 1944 d day with the simultaneous landing of u s british and canadian forces on five separate beachheads in normandy france the success of the landings would play a key role in the defeat of the nazi s third reich

[james holland on normandy 44 d day the battle for france](#) - Nov 11 2022

web may 7 2019 renowned world war two historian james holland presents an entirely new perspective on one of the most important moments in recent history order now

normandy 44 d day and the battle for france apple tv - Apr 04 2022

web pjames holland and mike simpson immerse themselves in all things dday they examine the years of preparation the planning the day itself and the 76 days that followed

normandy 44 d day and the battle for france season 1 imdb - Nov 30 2021

web normandy 44 d day and the battle for france episode list season or year season 1 s1 ep1 2020 d day rate james holland and mike simpson examine the preparations for the invasion across southern england before crossing the channel to normandy challenging many d day myths s1 ep2 2020 attrition rate the real fighting begins

[normandy 44 d day and the battle for france d day tv imdb](#) - Jul 07 2022

web d day directed by aaron young with james holland mike simpson paul woodadge james holland and mike simpson examine the preparations for the invasion across southern england before crossing the channel to normandy challenging many d

normandy 44 d day and the battle for france - May 05 2022

web normandy 44 was no exception this was gruelling bloody violent fighting as ferocious and harrowing as any in the whole of world war two brilliant set piece engagements sit alongside massacres courage alongside carnage and mike and james confront them all

normandy 44 d day and the epic 77 day battle for france - Dec 12 2022

web jun 4 2019 normandy 44 d day and the epic 77 day battle for france james holland atlantic monthly press jun 4 2019 history 805 pages a history of world war ii s operation overlord

normandy 44 d day and the battle for france amazon co uk - Mar 15 2023

web normandy 44 d day and the battle for france season 1 based on research for his best selling book historian james holland with ex us army ranger dr mike simpson tour not only the beaches but the wider normandy battlefield in this fresh and original series that finally does justice to the scale and complexity of an epic brutal campaign

[normandy 44 d day and the battle for france season 1 imdb](#) - Feb 14 2023

web james holland and mike simpson examine the preparations for the invasion across southern england before crossing the channel to normandy challenging many d day myths

pressure transmitter working principle a comprehensive guide - Jul 30 2023

web apr 30 2023 the working principle of a pressure transmitter involves three main stages sensing signal conditioning and output generation sensing elements the sensing element detects the pressure and converts it into a measurable parameter

what is a pressure transmitter abb group - Jun 28 2023

web a pressure transmitter is a mechanical device that measures the expansive force of a liquid or gaseous sample also known as a pressure transducer this type of sensor is typically composed of a pressure sensitive surface area made of steel silicon or other materials depending upon the analyte s composition

theory introduction to pressure measurement instrulearning - Jun 16 2022

web oct 4 2017 a pressure transmitter consists mainly of the pressure sensor the secondary electronics and the enclosure each of these components has a specific function the pressure sensor converts the measured pressure into a measurable electrical signal

[pressure measurement wikipedia](#) - Feb 22 2023

web a pressure sensor is a device for pressure measurement of gases or liquids pressure sensors can alternatively be called pressure transducers pressure transmitters pressure senders pressure indicators piezometers and manometers among other names

how does a differential pressure transmitter work abb group - Jan 24 2023

web differential pressure transmitters acquire the differential pressure of a closed system by obtaining the applied force at two measurement points and calculating the difference against pre defined application parameters

function of a resistive pressure transmitter wika blog - Mar 26 2023

web jan 23 2017 the functional principle of a resistive pressure transmitter is very simple the pressure sensor converts the mechanical pressure value into a proportional electrical signal the pressure sensor typically consists of a stable main body and a thin diaphragm

pressure transmitters 101 what it is how does it work - Jul 18 2022

web jul 5 2019 pressure transmitter working principle a pressure transmitter is a device that measures the pressure of fluids or gases in a process and converts it into an electrical signal that can be used for monitoring or control purposes there are several different working principles that pressure transmitters use to accomplish this

pressure transmitters overview danfoss industrial automation - Apr 14 2022

web the perfect transmitter made from expert know how a typical pressure transmitter has three general functional it is the solution of each of these elements and the combination that determines the performance of the products all danfoss pressure transmitters are certified pressure transmitters designed for customer needs a pressure transmitter

transmitter basics realpars - Nov 21 2022

web after taking this course you ll be able to discuss the origin of the term transmitter and what industries it is used in sketch and explain the block diagram of a feedback control loop learn the philosophy and development of high performance hmi describe what is common to all pressure sensors pressure switches and pressure

pneumatic pressure transmitters principle inst tools - Feb 10 2022

web pneumatic pressure transmitters principle by editorial staff force balance pressure transmitters or pneumatic pressure transmitters first we have to know that the force balance pressure transmitters are very old concept which uses pneumatic air signals for transmitters operation

pressure transmitter explained working principle realpars - Oct 01 2023

web jul 13 2020 a pressure transmitter is an instrument connected to a pressure transducer it converts the electrical signal from the transducer into a much larger electrical signal that can be sent over a long distance to a plc or a dcs

what is a pressure transmitter gms instruments - Sep 19 2022

web nov 25 2021 so the definition a pressure transmitter is a mechanical device that translates the expansive force of a liquid or gaseous sample into an electrical output this device converts the pressure through a transducer into an electrical signal here we find the first question regarding the transmitter or transducer

[what is a pressure transmitter the instrument guru](#) - Apr 26 2023

web 1 standard pressure transmitters 2 hydrostatic pressure transmitters 3 absolute pressure transmitter 4 differential pressure transmitter pressure transmitter working principle capacitive pressure transmitter working principle diffused silicon pressure transmitter working principle monocrystalline silicon pressure transmitter working

differential pressure transmitter working principle inst tools - Mar 14 2022

web differential pressure transmitter working principle by editorial staff another common electrical pressure sensor design works on the principle of differential capacitance in this design the sensing element is a taut metal diaphragm located equidistant between two stationary metal surfaces comprising three plates for a complementary pair of

what is a pressure transmitter fuji electric france - Aug 19 2022

web a pressure transmitter is a device capable of measuring applied pressure the transmitter converts physical pressure into an electrical signal a pressure transmitter often called a pressure transducer or sensor is a device used to measure and convert mechanical or hydraulic pressure into an electrical signal

pressure transmitter measuring principle smart measurement - Oct 21 2022

web pressure transducers usually consist of a thin film or piezo resistive pressure sensor mounted to an industry standard process connection such as npt threads or an ansi flange the transducer converts pressure into an analog electronic signal which is typically as a millivolt per unit pressure output

pressure transmitter basics types functions and working principle - Aug 31 2023

web may 11 2020 pressure transmitter working principle to put it simply pressure transmitters convert the mechanical pressure into analog electrical signal pressure measurement is based on capturing the changes in voltage

[pressure transmitter an overview sciencedirect topics](#) - Dec 23 2022

web pressure transmitter the pressure transmitter senses the process pressure and converts it to a signal that is proportional to it from compressors third edition 2005 related terms differential pressure boiler orifice condenser pressure probe condensate flowmeter measurer diaphragm

how does a pressure transducers work omega engineering - May 28 2023

web a pressure transducer is a device that measures the pressure of a fluid indicating the force the fluid is exerting on surfaces in contact with it pressure transducers are used in many control and monitoring applications such as flow air speed level pump systems or altitude

differential pressure transmitter working principle advantages - May 16 2022

web sep 11 2023 discover differential pressure transmitters in this informative video uncover their working principles explore their advantages and disadvantages and lear

ernest flammarion wikipedia - Feb 09 2023

web ernest flammarion is the fourth in a family of six children whose eldest son camille was a famous astronomer his parents jules and françoise flammarion ran a haberdashery business in 1867 he began working in the bookstore business of mr didier in paris thanks to the recommendation of his brother camille flammarion foundation

frankenstein de mary shelley editions flammarion - Aug 15 2023

web oct 19 2016 frankenstein présentation du livre de mary shelley publié aux éditions flammarion par une nuit d orage victor frankenstein parvient à animer la matière inerte mais horrifié par sa créature il l abandonne

frankensteinflammarionjeun - Mar 10 2023

web wollstonecraft shelley mary wollstonecraft shelley frankenstein flammarion jeun pdf download only mar 05 2023

frankenstein flammarion jeun pdf is available in our book collection an online access to it is set as public so you can download it instantly our digital

frankenstein flammarion jeun by marry wollstonecraft shelley - May 12 2023

web frankenstein flammarion jeun by marry wollstonecraft shelley mary wollstonecraft shelley frankenstein flammarion jeun french edition ebook april 26th 2020 frankenstein is caught up in a battle of his own conscience as the ghoulish giant monster blackmails him for his own contentment and happiness this story is a

frankenstein flammarion jeun help environment harvard edu - Apr 11 2023

web frankenstein flammarion jeun right here we have countless book frankenstein flammarion jeun and collections to check out we additionally present variant types and then type of the books to browse the satisfactory book fiction history novel scientific research as capably as various supplementary sorts of books are readily clear here

frankenstein flammarion jeun pdf 2023 toolbelt86 info - Apr 30 2022

web may 17 2023 frankenstein flammarion jeun pdf this is likewise one of the factors by obtaining the soft documents of this frankenstein flammarion jeun pdf by online you might not require more get older to spend to go to the book instigation as capably as search for them in some cases you likewise reach

frankenstein flammarion jeun by marry wollstonecraft shelley - Aug 03 2022

web frankenstein flammarion jeun by marry wollstonecraft shelley mary wollstonecraft shelley boulevard 3 april 21st 2020 on vous répond au 01 42 96 89 42 0 askbook xyz lire des livres gratuits et tlcharger des january 10th 2020 frankenstein flammarion jeun how to make people

[frankenstein flammarion jeun pdf](#) - Sep 04 2022

web introduction frankenstein flammarion jeun pdf download only frankenstein mary w shelley 2021 04 05 frankenstein is a novel written by english author mary shelley that tells the story of victor frankenstein a young scientist who creates a hideous sapient creature in an unorthodox scientific experiment

frankenstein flammarion jeun help environment harvard edu - Feb 26 2022

web frankenstein flammarion jeun getting the books frankenstein flammarion jeun now is not type of challenging means you could not by yourself going taking into account books accretion or library or borrowing from your contacts to door them this is an extremely simple means to specifically acquire lead by on line

[frankenstein film 2015 beyazperde com](#) - Jul 14 2023

web oct 29 2015 mary shelley in ünlü romanı sayısız defa beyazperdeye ve televizyon ekranlarına uyarlandı son 2 yıl içinde dahi 3 farklı frankenstein filmi seyircilerle buluştu 1931 yapımı frankenstein in kalplerimizde her zaman ayrı bir yeri olacak olsa da yeni canavarların çağı da başlamış durumda

frankenstein flammarion jeun - Jan 28 2022

web frankenstein flammarion jeun below mary shelley cathy bernheim 1997 the empire of the nairs 1811 james lawrence 1976 presents the arguments against marriage influential upon shelley les survivants de troie tome 2 la forteresse des oracles michel honaker 2010 11 10t00 00 00 01 0 0 les survivants de troie luttent sans

frankenstein flammarion jeun pdf pdf keithlue com - Jun 01 2022

web apr 8 2023 each success bordering to the declaration as capably as sharpness of this frankenstein flammarion jeun pdf can be taken as with ease as picked to act

frankenstein flammarion jeun by marry wollstonecraft shelley - Jun 13 2023

web frankenstein flammarion jeun french edition ebook april 26th 2020 frankenstein is caught up in a battle of his own conscience as the ghoulish giant monster blackmails him for his own contentment and happiness this story is a fabulous masterpiece i am so pleased i read this the last days of thunder child victorian britain in chaos leer más

[frankenstein flammarion jeun pdf pdf eshraqgroup com](#) - Oct 05 2022

web frankenstein flammarion jeun pdf eventually you will utterly discover a extra experience and execution by spending more cash yet when pull off you take on that you require to acquire those all needs as soon as having significantly cash why dont you try to acquire something basic in the beginning thats something that will guide

frankenstein flammarion jeun uniport edu ng - Jul 02 2022

web mar 19 2023 frankenstein flammarion jeun 2 8 downloaded from uniport edu ng on march 19 2023 by guest 2012 05 02t00 00 00 02 00 l agent pinkerton neil galore apprend qu un mystérieux complot se trame contre la ville de chicago la

brigade pâle rôde et laisse derrière elle de nombreux incendies neil découvre aussi la vérité sur [frankensteinflammarionjeun download only start nucleoexpert](#) - Nov 06 2022

web frankenstein flammarion jeun frankenstein flammarion jeun 1 1 downloaded from titleix ptsem edu on november 1 2022 by guest frankenstein flammarion jeun thank you completely much for downloading frankenstein flammarion jeun maybe you have knowledge that people have look numerous times for their favorite books afterward this

frankenstein flammarion jeun pdf devy ortax org - Mar 30 2022

web frankenstein flammarion jeun pdf upload suny r hayda 2 9 downloaded from devy ortax org on september 2 2023 by suny r hayda vampire un court r cit qui lance le th me du vampirisme en litt rature c est cependant mary alors g e de dix neuf ans qui signe avec frankenstein ou le prom th e moderne le texte le plus labor et le plus

frankenstein rotten tomatoes - Jan 08 2023

web bernard candyman rose s frankenstein is the dreamy gory and strangely moving modern take on the most famous monster story of all time for which we didn t even realise we d been waiting

frankenstein flammarion jeun uniport edu ng - Dec 27 2021

web frankenstein flammarion jeun 1 8 downloaded from uniport edu ng on july 5 2023 by guest frankenstein flammarion jeun recognizing the habit ways to acquire this ebook frankenstein flammarion jeun is additionally useful you have remained in right site to begin getting this info get the frankenstein flammarion jeun connect that we find the

frankenstein 2015 imdb - Dec 07 2022

web oct 29 2015 frankenstein directed by bernard rose with xavier samuel carrie anne moss danny huston matthew jacobs a married couple of scientists create a modern day monster