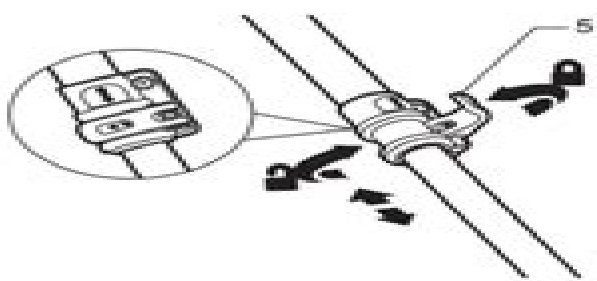
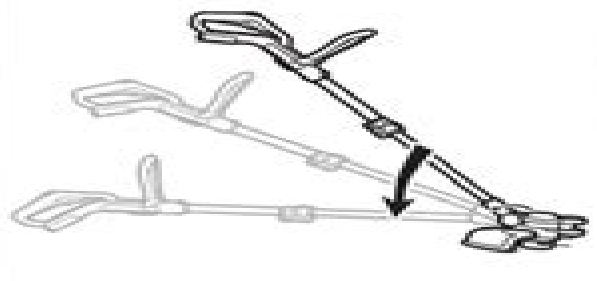


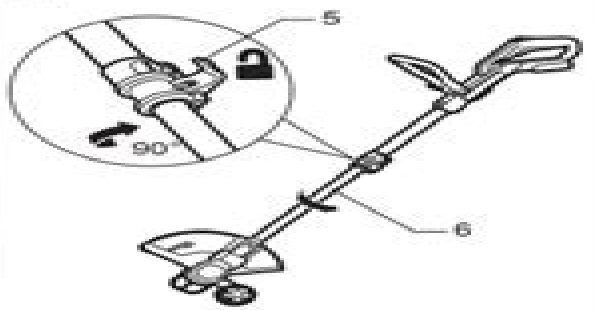
12



13



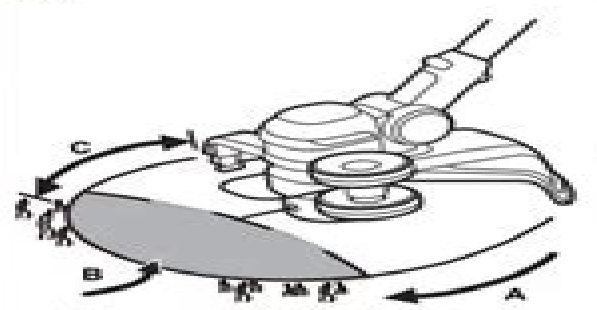
14



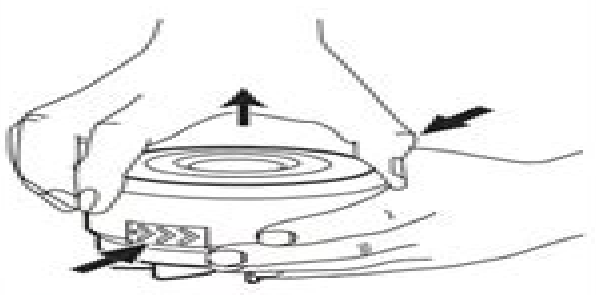
15



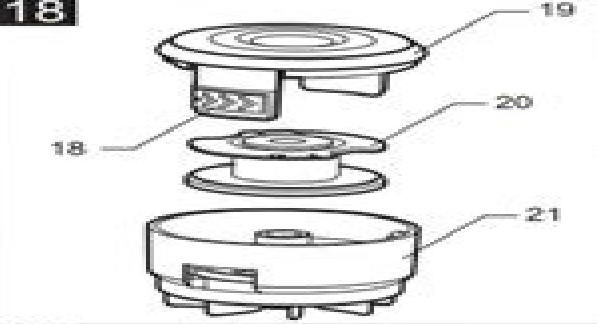
16



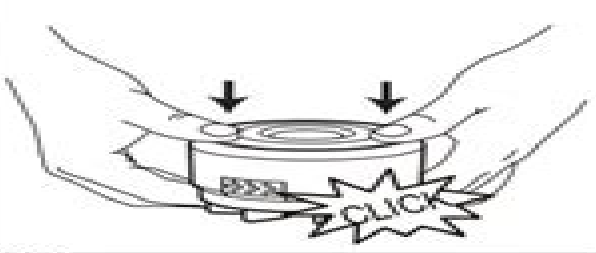
17



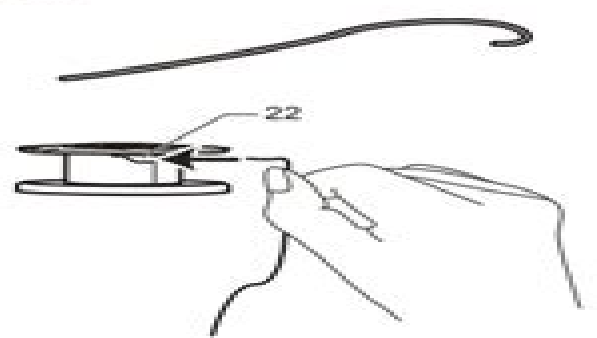
18



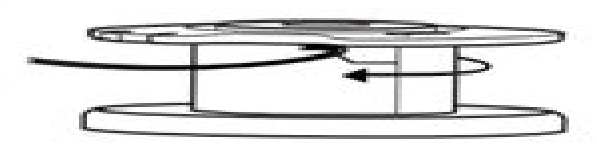
19



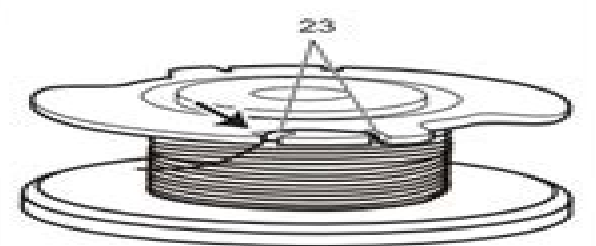
20



21



22



# Wheeled Strimmer Manual

**Intertec Publishing Corporation**

A red circular graphic with a gradient, appearing as a partial circle on the right side of the page, overlapping the light blue bar.

## **Wheeled Strimmer Manual:**

NEISS ,1997 The Carriage Journal Jill Ryder,2007-08-01 The Boast of Heraldry Part 2 by Ken Wheeling Entering the Trades by Jennifer Singleton Let s Ride by Mary Stokes Waller Heroes in Harness by Stephanie Sutch How I Got Hooked Margot Thompson The World on Wheels Araba and Teleki Memories Mostly Horsy Collectors Corner Silhouettes From the CMA Library The Bookshelf Reviews CAA Bookstore The Passing Scene News Your Letters The View from the Box by Ken Wheeling Antiquarian Bookman ,1953 **The Carriage Journal: Vol. 57, No. 1 January 2019** Kathleen Haak,Ken Wheeling,Robin Bledsoe,Jeremy Masterson,Charles Kellogg,Elizabeth Hughes,Andres Furger,2021-01-03 Features The Emperor s Last Equipage Part II by Andres Furger Page 14 Highlights of Sleighing History by Kathleen Haak Page 26 The Lewis Downing Sons No 174 by Ken Wheeling Page 40 Additional Articles Argentina by Nancy Jackson Page 3 Argentina A Photo Essay by Gosta Kylsberg Page 6 Marshal Collection on Display by Ken Wheeling Page 8 The Royal by John Stallard Page 9 American Shetland Pony Club American Miniature Horse Registry Club of North Texas Works to Grow Driving Page 10 2018 Lebanon Ohio Carriage Parade Photo Essay Page 11 English Coaching Buttons by Elizabeth Hughes Page 18 Driving the Horse in Harness A Beginner s Manual Part IX Page 22 Notes from the Restoration Shop by Jeremy Masterson Page 32 Crafting A Roof Seat Break by Mike McGilvray Page 38 The Horse and the Country House by Robin Bledsoe Page 46 Book Donations Help Us All by Jill Ryder Page 64 **Popular Science** ,1982-03 Popular Science gives our readers the information and tools to improve their technology and their world The core belief that Popular Science and our readers share The future is going to be better and science and technology are the driving forces that will help make it better **The Blacksmith & Wheelwright** ,1908 **Thomas Register of American Manufacturers** ,2002 This basic source for identification of U S manufacturers is arranged by product in a large multi volume set Includes Products services Company profiles and Catalog file **The Hillier Book of Garden Planning & Planting** Keith Rushforth,1988 **Popular Science** ,1989-12 Popular Science gives our readers the information and tools to improve their technology and their world The core belief that Popular Science and our readers share The future is going to be better and science and technology are the driving forces that will help make it better Scottish Field ,1984 Lawn, Garden & Power Equipment Intertec Publishing,Intertec Publishing Corporation Staff,1985 **MD.** ,1993 Operator's Manual Deere & Company,1942\* String Trimmer Service Manual ,1990 **String Trimmer and Blower** Intertec Publishing Corporation,1992 Provides detailed information on how to operate maintain and repair string trimmers and blowers the following manufacturers of electric and gasoline powered string trimmers and blowers are covered Alpina Black specific repair instructions for string trimmer and blower gasoline engines are covered for the following manufacturers John Deere Echo Efco Fuji Homelite Husqvarna IDC Kawasaki Kioritz Komatsu McCulloch Mitsubishi Piston Powered Products Poulan Sachs Dolmar Shindaiwa Stihl Tanaka TAS Tecumseh TML Trail Page 4 of cover **Operator's Manuals, Mowers, Models 37, 38, 39,**

**Caster-wheel Mowers No. 8 and No. 8W, Gear Mower No. 4, Power Mowers No. 9, No. 20** John Deere & Company, Moline (Ill.), 1961      Riding Lawn Mower Service Manual Intertec Publishing Corporation, 1989 Contains repair information for riding lawn mowers      Lawn, Garden and Outdoor Power Equipment Shop Service Set Intertec Publishing Corporation, 1991-10-01 The set includes Chainsaw Flat Rate Manual Chainsaw Service Manual Large Air cooled Engine Service Manuals Vol 1 and 2 Riding Lawnmower Service Manual Vol 1 and 2 Small and Large Engine Flat Rate Manual Small Air Cooled engine Service Manuals Vol 1 and 2 String Trimmer and Blower Manual Walk Behind Lawnmower Service Manual Yard and Garden Tractor Service Manuals Vol 1 and 2 3 Binders to keep all together      **Riding Lawn Mower Service Manual** Intertec Publishing Staff, Intertec Publishing, 1989-03      **Walking Lawn Mower Service Manual (push Type)**. ,1984

This is likewise one of the factors by obtaining the soft documents of this **Wheeled Strimmer Manual** by online. You might not require more become old to spend to go to the ebook start as competently as search for them. In some cases, you likewise attain not discover the proclamation Wheeled Strimmer Manual that you are looking for. It will entirely squander the time.

However below, with you visit this web page, it will be fittingly unquestionably simple to get as well as download lead Wheeled Strimmer Manual

It will not assume many grow old as we accustom before. You can complete it even though discharge duty something else at house and even in your workplace. so easy! So, are you question? Just exercise just what we give under as with ease as review **Wheeled Strimmer Manual** what you bearing in mind to read!

[http://www.frostbox.com/files/detail/default.aspx/sony\\_rx1\\_user\\_manual.pdf](http://www.frostbox.com/files/detail/default.aspx/sony_rx1_user_manual.pdf)

## **Table of Contents Wheeled Strimmer Manual**

1. Understanding the eBook Wheeled Strimmer Manual
  - The Rise of Digital Reading Wheeled Strimmer Manual
  - Advantages of eBooks Over Traditional Books
2. Identifying Wheeled Strimmer Manual
  - Exploring Different Genres
  - Considering Fiction vs. Non-Fiction
  - Determining Your Reading Goals
3. Choosing the Right eBook Platform
  - Popular eBook Platforms
  - Features to Look for in an Wheeled Strimmer Manual
  - User-Friendly Interface
4. Exploring eBook Recommendations from Wheeled Strimmer Manual
  - Personalized Recommendations

- Wheeled Strimmer Manual User Reviews and Ratings
- Wheeled Strimmer Manual and Bestseller Lists
- 5. Accessing Wheeled Strimmer Manual Free and Paid eBooks
  - Wheeled Strimmer Manual Public Domain eBooks
  - Wheeled Strimmer Manual eBook Subscription Services
  - Wheeled Strimmer Manual Budget-Friendly Options
- 6. Navigating Wheeled Strimmer Manual eBook Formats
  - ePub, PDF, MOBI, and More
  - Wheeled Strimmer Manual Compatibility with Devices
  - Wheeled Strimmer Manual Enhanced eBook Features
- 7. Enhancing Your Reading Experience
  - Adjustable Fonts and Text Sizes of Wheeled Strimmer Manual
  - Highlighting and Note-Taking Wheeled Strimmer Manual
  - Interactive Elements Wheeled Strimmer Manual
- 8. Staying Engaged with Wheeled Strimmer Manual
  - Joining Online Reading Communities
  - Participating in Virtual Book Clubs
  - Following Authors and Publishers Wheeled Strimmer Manual
- 9. Balancing eBooks and Physical Books Wheeled Strimmer Manual
  - Benefits of a Digital Library
  - Creating a Diverse Reading Collection Wheeled Strimmer Manual
- 10. Overcoming Reading Challenges
  - Dealing with Digital Eye Strain
  - Minimizing Distractions
  - Managing Screen Time
- 11. Cultivating a Reading Routine Wheeled Strimmer Manual
  - Setting Reading Goals Wheeled Strimmer Manual
  - Carving Out Dedicated Reading Time
- 12. Sourcing Reliable Information of Wheeled Strimmer Manual
  - Fact-Checking eBook Content of Wheeled Strimmer Manual

- Distinguishing Credible Sources
- 13. Promoting Lifelong Learning
  - Utilizing eBooks for Skill Development
  - Exploring Educational eBooks
- 14. Embracing eBook Trends
  - Integration of Multimedia Elements
  - Interactive and Gamified eBooks

### **Wheeled Strimmer Manual Introduction**

Free PDF Books and Manuals for Download: Unlocking Knowledge at Your Fingertips In today's fast-paced digital age, obtaining valuable knowledge has become easier than ever. Thanks to the internet, a vast array of books and manuals are now available for free download in PDF format. Whether you are a student, professional, or simply an avid reader, this treasure trove of downloadable resources offers a wealth of information, conveniently accessible anytime, anywhere. The advent of online libraries and platforms dedicated to sharing knowledge has revolutionized the way we consume information. No longer confined to physical libraries or bookstores, readers can now access an extensive collection of digital books and manuals with just a few clicks. These resources, available in PDF, Microsoft Word, and PowerPoint formats, cater to a wide range of interests, including literature, technology, science, history, and much more. One notable platform where you can explore and download free Wheeled Strimmer Manual PDF books and manuals is the internet's largest free library. Hosted online, this catalog compiles a vast assortment of documents, making it a veritable goldmine of knowledge. With its easy-to-use website interface and customizable PDF generator, this platform offers a user-friendly experience, allowing individuals to effortlessly navigate and access the information they seek. The availability of free PDF books and manuals on this platform demonstrates its commitment to democratizing education and empowering individuals with the tools needed to succeed in their chosen fields. It allows anyone, regardless of their background or financial limitations, to expand their horizons and gain insights from experts in various disciplines. One of the most significant advantages of downloading PDF books and manuals lies in their portability. Unlike physical copies, digital books can be stored and carried on a single device, such as a tablet or smartphone, saving valuable space and weight. This convenience makes it possible for readers to have their entire library at their fingertips, whether they are commuting, traveling, or simply enjoying a lazy afternoon at home. Additionally, digital files are easily searchable, enabling readers to locate specific information within seconds. With a few keystrokes, users can search for keywords, topics, or phrases, making research and finding relevant information a breeze. This efficiency saves time and effort, streamlining the learning process and allowing individuals to focus on extracting the information they

need. Furthermore, the availability of free PDF books and manuals fosters a culture of continuous learning. By removing financial barriers, more people can access educational resources and pursue lifelong learning, contributing to personal growth and professional development. This democratization of knowledge promotes intellectual curiosity and empowers individuals to become lifelong learners, promoting progress and innovation in various fields. It is worth noting that while accessing free Wheeled Strimmer Manual PDF books and manuals is convenient and cost-effective, it is vital to respect copyright laws and intellectual property rights. Platforms offering free downloads often operate within legal boundaries, ensuring that the materials they provide are either in the public domain or authorized for distribution. By adhering to copyright laws, users can enjoy the benefits of free access to knowledge while supporting the authors and publishers who make these resources available. In conclusion, the availability of Wheeled Strimmer Manual free PDF books and manuals for download has revolutionized the way we access and consume knowledge. With just a few clicks, individuals can explore a vast collection of resources across different disciplines, all free of charge. This accessibility empowers individuals to become lifelong learners, contributing to personal growth, professional development, and the advancement of society as a whole. So why not unlock a world of knowledge today? Start exploring the vast sea of free PDF books and manuals waiting to be discovered right at your fingertips.

### FAQs About Wheeled Strimmer Manual Books

1. Where can I buy Wheeled Strimmer Manual books? Bookstores: Physical bookstores like Barnes & Noble, Waterstones, and independent local stores. Online Retailers: Amazon, Book Depository, and various online bookstores offer a wide range of books in physical and digital formats.
2. What are the different book formats available? Hardcover: Sturdy and durable, usually more expensive. Paperback: Cheaper, lighter, and more portable than hardcovers. E-books: Digital books available for e-readers like Kindle or software like Apple Books, Kindle, and Google Play Books.
3. How do I choose a Wheeled Strimmer Manual book to read? Genres: Consider the genre you enjoy (fiction, non-fiction, mystery, sci-fi, etc.). Recommendations: Ask friends, join book clubs, or explore online reviews and recommendations. Author: If you like a particular author, you might enjoy more of their work.
4. How do I take care of Wheeled Strimmer Manual books? Storage: Keep them away from direct sunlight and in a dry environment. Handling: Avoid folding pages, use bookmarks, and handle them with clean hands. Cleaning: Gently dust the covers and pages occasionally.



5. Can I borrow books without buying them? Public Libraries: Local libraries offer a wide range of books for borrowing. Book Swaps: Community book exchanges or online platforms where people exchange books.
6. How can I track my reading progress or manage my book collection? Book Tracking Apps: Goodreads, LibraryThing, and Book Catalogue are popular apps for tracking your reading progress and managing book collections. Spreadsheets: You can create your own spreadsheet to track books read, ratings, and other details.
7. What are Wheeled Strimmer Manual audiobooks, and where can I find them? Audiobooks: Audio recordings of books, perfect for listening while commuting or multitasking. Platforms: Audible, LibriVox, and Google Play Books offer a wide selection of audiobooks.
8. How do I support authors or the book industry? Buy Books: Purchase books from authors or independent bookstores. Reviews: Leave reviews on platforms like Goodreads or Amazon. Promotion: Share your favorite books on social media or recommend them to friends.
9. Are there book clubs or reading communities I can join? Local Clubs: Check for local book clubs in libraries or community centers. Online Communities: Platforms like Goodreads have virtual book clubs and discussion groups.
10. Can I read Wheeled Strimmer Manual books for free? Public Domain Books: Many classic books are available for free as they're in the public domain. Free E-books: Some websites offer free e-books legally, like Project Gutenberg or Open Library.

### Find Wheeled Strimmer Manual :

[sony rx1 user manual](#)

**sony mobile service centre**

[sony xplod amp wiring diagram](#)

[sony vgn c2m laptops owners manual](#)

**sony mpmanual guide**

[sony kdl55nx720 manual](#)

[sony kv 36fs10 manual](#)

[sony psp 3000 manual](#)

[sony str dh720 71 manual](#)

[sony pcg v505bl laptops owners manual](#)

**sony pcg grs150p laptops owners manual**

**sony zs y3 user guide**

**sony nw e507 mp3 players owners manual**

*sony projector vpl hs51a hs60 service manual*

*sony vgn txn15pt laptops owners manual*

### **Wheeled Strimmer Manual :**

[f4 bpp exam tips acca june 2014 pdf mail medacs](#) - Mar 03 2022

web downloaded from mail medacs com on 23 11 2023 by guest 1 5 f4 bpp exam tips acca june 2014 f4 bpp exam tips acca june 2014 acca paper f4 corp and business law eng acca for exams in 2012 acca p4 advanced financial management pocket notes downloaded from mail medacs com on 23 11 2023 by guest 2 5 f4 bpp exam

[acca june 2014 exam tips for p4 2022 stage gapinc](#) - May 05 2022

web acca paper p4 advanced financial management practice and revision kit bpp learning media the examining team reviewed p2 study text covers all the relevant acca p2 syllabus topics and offers examiner advice on approaching the paper

**acca p4 exam tips june 2014 ai classmonitor** - Dec 12 2022

web acca p4 exam tips june 2014 fia foundations in management accounting fma acca f2 acca p4 advanced financial management pocket notes acca the association of chartered certified accountants acca p4 advanced financial management study text 2013 advanced financial management exam kit acca f7 financial

[a guide to using the examiner s reports acca global](#) - May 17 2023

web p4 advanced financial management a guide to using the examiner s reports acca s self study guide for p4 is a fantastic resource designed especially to help you if you are taking p4 hopefully you have already had a chance to take a look at this but if not you can find it by clicking on the image above

**acca june 2014 exam tips for p4 pdf pdf bukuclone ortax** - Jul 19 2023

web introduction acca june 2014 exam tips for p4 pdf pdf acca skills f7 financial reporting international and uk study text 2014 bpp learning media 2014 06 01 the examining team reviewed f7 study text covers all the relevant acca f7 syllabus topics and offers examiner advice on approaching the paper

[acca june 2014 exam tips for p4 pdf stage gapinc](#) - Sep 09 2022

web acca june 2014 exam tips for p4 acca p7 advanced audit and assurance uk acca p5 advanced performance management acca f7 financial reporting uk and int study text 2013 acca paper p2 corporate reporting int and uk practice and revision kit acca f4 corporate and business law global

**bpp p4 online step 4 questions opentuition** - Sep 21 2023

web jul 18 2019 acca qualification syllabus changes for 2023 24 need verifiable cpd for 2023 21 units of free cpd on offer from acca acca my exam performance for non variant applied skills exams is available now new download the acca pass guide acc a mock exams and debrief videos acca options read the mind of the marker

[p4 bpp exam tips acca june 2014 full pdf stage gapinc](#) - Oct 10 2022

web p4 bpp exam tips acca june 2014 1 p4 bpp exam tips acca june 2014 acca paper p2 corporate reporting gbr study text acca paper f4 corp and business law glo practice and revision kit acca essentials p1 governance risk and ethics revision kit 2014 acca performance management acca paper p4 advanced financial

[acca p4 june 2014 exam tips web mei](#) - Jun 06 2022

web acca p4 june 2014 exam tips right here we have countless books acca p4 june 2014 exam tips and collections to check out we additionally have the funds for variant types and then type of the books to browse

[paper f4 bpp pdf sutd](#) - Feb 14 2023

web success acca for exams in 2012 jul 20 2022 bpp learning media is the sole platinum approved provider of acca content our examiner reviewed study texts and practice revision kits and our interactive study tools will provide you with the up to date material you need for exam success acca f4 irish law jul 08 2021

[download solutions p5 bpp exam tips acca june 2014](#) - Jul 07 2022

web p5 bpp exam tips acca june 2014 acca p2 corporate reporting international feb 01 2021 bpp learning media is an acca approved content provider our partnership with acca means that our study texts practice revision kits and ipass for cbe papers only are subject to a thorough acca examining team review our suite of study tools

[p4 bpp exam tips acca june 2014 full pdf](#) - Apr 16 2023

web p4 bpp exam tips acca june 2014 acca paper p1 professional accountant practice and revision kit mar 18 2020 the examiner reviewed p1 practice and revision kit provides invaluable guidance on how to approach the exam and contains past acca exam questions for you to try you will learn what to expect on the

[ebook exam tips acca june 2014 p4 cyberlab sutd edu sg](#) - Mar 15 2023

web you need for exam success acca for exams up to june 2014 may 20 2023 bpp learning media is the sole platinum approved provider of acca content our examiner reviewed study texts and practice revision kits and our interactive study tools will provide you with the up to date material you need for exam success acca for exams

**[acca p4 exam tips june 2014 pdf web mei](#)** - Aug 20 2023

web acca p4 exam tips june 2014 1 acca p4 exam tips june 2014 get to the point acca p3 business analysis acca approved p4 advanced financial management september 2017 to june 2018 exams foundation in financial management exam kit acca paper p4 advanced financial management study text acca p7 advanced

[exam tips acca june 2014 p4 bpp learning media](#) - Nov 11 2022

web jun 4 2023 in some cases you likewise realize not discover the notice exam tips acca june 2014 p4 that you are looking for it will enormously squander the time however below in the manner of you visit this web page it will be thus utterly easy to get as competently as download guide exam tips acca june 2014 p4 it will not bow to many time as we

[professional level options module paper p4 acca global](#) - Oct 22 2023

web this question paper must not be removed from the examination hall advanced financial paper p4 management tuesday 3 june 2014 the association of chartered certified accountants section a this one question is compulsory and must be attempted

[p4 bpp exam tips acca june 2014 pdf bpp learning media](#) - Aug 08 2022

web may 3 2023 p4 bpp exam tips acca june 2014 pdf thank you utterly much for downloading p4 bpp exam tips acca june 2014 pdf maybe you have knowledge that people have look numerous times for their favorite books in imitation of this p4 bpp exam tips acca june 2014 pdf but stop taking place in harmful downloads

**acca june 2014 exam tips for p4 full pdf stage gapinc** - Apr 04 2022

web acca june 2014 exam tips for p4 3 3 acca june 2014 exam tips for p4 downloaded from stage gapinc com by guest reyna mathias fia maintaining financial records fa2 bpp learning media the examiner reviewed p2 practice and revision kit provides invaluable guidance on how to approach the exam and contains many of the long case

**p4 bpp exam tips acca june 2014 pdf cyberlab sutd edu sg** - Jan 13 2023

web there are plenty of exam tips to guide your study and help you focus on what is essential to know now acca paper f8 audit and assurance gbr practice and revision kit apr 08 2022 the examiner reviewed f8 practice and revision kit provides invaluable guidance on how to approach the exam and contains past acca exam questions for you to try

**p4 bpp exam tips acca june 2014 book cyberlab sutd edu sg** - Jun 18 2023

web p4 bpp exam tips acca june 2014 fia foundations of accountant in business fab acca f1 mar 13 2020 foundations in accountancy fia awards are entry level core skill focused qualifications from acca they provide flexible options for students and employers and as an acca approved content provider

[langkah langkah uji kolmogorov smirnov normalitas data ce](#) - Jul 11 2021

**langkah langkah uji normalitas kolmogorov smirnov di aplikasi** - Oct 14 2021

[uji normalitas data dengan menggunakan uji](#) - Oct 06 2023

web jun 4 2015 langkah langkah melakukan uji normalitas kolmogorov smirnov dengan spss 1 langkah pertama adalah persiapkan data yang dingin di uji dalam file doc

*uji normalitas menggunakan one sample - Feb 27 2023*

web feb 12 2015 interpretasi output berdasarkan uji normalitas dengan kolmogorov smirnov test diperoleh nilai ksz sebesar 0 898 dan asymp sig sebesar 0 396 lebih

statistika nonparametrik direktori file upi - Jan 29 2023

web sep 16 2022 berikut ini langkah langkah uji normalitas kolmogorov smirnov menggunakan spss 1 buka software spss kemudian input data untuk kasus diatas

**pdf cara melakukan uji normalitas kolmogorov - Oct 26 2022**

web may 25 2023 langkah 1 mengimpor data ke spss langkah pertama adalah mengimpor data yang ingin kita analisis ke dalam perangkat lunak spss pastikan bahwa data

**uji kolmogorov smirnov rumus statistik - Nov 26 2022**

web pengertian uji normalitas data ghazali 2011 107 menjelaskan tujuan uji normalitas bertujuan untuk menguji apakah dalam model regresi variabel pengganggu atau

*uji normalitas analisis data pre test dan post test tekanan - Aug 12 2021*

*langkah langkah melakukan uji normalitas data spss - Apr 19 2022*

web nov 6 2023 explore a diverse selection of 2 uji normalitas data kelas eksperimen dan kelas kontrol menggunakan spss classified ads on our premium site konsep dasar

*hubungan antara pemahaman kesetaraan gender orang tua - Jun 09 2021*

*uji kolmogorov smirnov unisma - Jul 03 2023*

web oct 12 2023 2 langkah langkah uji kolmogorov smirnov normalitas data 2021 06 11 pengujian hipotesis baik secara manual ataupun menggunakan program spss

cara hitung manual uji normalitas dengan uji kolmogorov smirnov - Nov 14 2021

**cara melakukan uji normalitas kolmogorov smirnov dengan spss - Sep 05 2023**

web langkah langkah prinsip uji kolmogorov smirnov ialah sebagai berikut susun frekuensi frekuensi dari tiap nilai teramati berurutan dari nilai terkecil sampai nilai terbesar

*cara uji normalitas spss untuk pemula itkoding - Aug 24 2022*

web uji kolmogorov smirnov adalah suatu metode untuk menguji normalitas data dengan menggunakan pendekatan non parametrik dan dikenal sebagai metode terbaik untuk

*cara uji normalitas kolmogorov smirnov menggunakan spss - Mar 19 2022*

web nov 7 2023 penjelasan mencakup alasan penggunaan uji normalitas langkah langkah memasukkan data di lembar kerja spss memilih teknik statistik yang sesuai untuk

*uji normalitas menurut sugiyono penjelasan dan analisis lengkap - Jan 17 2022*

web berdasarkan tabel 3 hasil uji normalitas kolmogorov smirnov bernilai 0 200 0 200 0 05 sehingga data penelitian berdistribusi normal uji linearitas uji linieritas dilakukan

**uji normalitas data dengan kolmogorov smirnov riset - Mar 31 2023**

web nov 3 2023 cara uji normalitas spss 3 november 2023 adi wirawan secara teori uji normalitas atau biasa disebut uji normalitas residual adalah pengujian yang dilakukan

*2 uji normalitas data kelas eksperimen dan kelas kontrol - Sep 12 2021*

**cara uji normalitas kolmogorov smirnov dengan spss - Jun 21 2022**

web nov 4 2021 linkya ada dibawah paragraf ini akan muncul kalau kalian sudah login existing users log in nilai statistik dari uji kolmogorov smirnov merupakan nilai d

*cara hitung manual uji normalitas dengan uji kolmogorov smirnov - Aug 04 2023*

web pengujian normalitas dengan menggunakan program spss dilakukan dengan menu analyze kemudian klik pada nonparametric test lalu klik legacy dialogs klik 1 sample

**ppt uji normalitas data kolmogorov smirnov - Dec 28 2022**

web mar 23 2021 berikut ini merupakan langkah langkah yang dapat anda terapkan dalam pengujian kolmogorov smirnov dua sampel menggunakan spss definisikan

*uji kolmogorov smirnov dua sampel penjelasan dan tutorial - May 21 2022*

web jun 7 2023 cara uji normalitas kolmogorov smirnov pada spss berfungsi agar dapat membuktikan data yang dipergunakan normal goodness of fit tes harus dilakukan

*uji normalitas dengan kolmogorov smirnov spss - Jul 23 2022*

web variabel kategorikal 45 b variabel numerik 46 b mengolah data numerik 49 c menjumlahkan angka dengan menggunakan compute 54 d mengetahui normalitas

*cara uji normalitas spss shapiro wilk dan - Jun 02 2023*

web 10 menjelaskan tentang konsep uji kolmogorov smirnov 11 menguji suatu hipotesis dengan memperhatikan langkah langkah dalam uji kolmogorov smirnov 12

*uji normalitas grafik uji kolmogorov smirnov - Sep 24 2022*

web oct 21 2020 tutorial bagaimana cara menguji normalitas data menggunakan metode kolmogorov smirnov dengan aplikasi minitab

*uji normalitas kolmogorov smirnov menggunakan minitab* - Feb 15 2022

web langkah langkah uji kolmogorov smirnov normalitas data if you ally compulsion such a referred langkah langkah uji kolmogorov smirnov normalitas data ebook that

**pdf cara melakukan uji normalitas kolmogorov smirnov** - Dec 16 2021

**tutorial uji normalitas kolmogorov smirnov dengan spss** - May 01 2023

web mar 31 2017 pengujian normalitas menggunakan statistik uji kolmogorov smirnov d data dikatakan berdistribusi normal ketika nilai absolute d tabel tabel kolmogorov

*probability and stochastic processes bucknell* - Aug 23 2022

web checkout the probability and stochastic processes books for reference purpose in this article we are providing the ptsp textbooks books syllabus and reference books for

probability and stochastic processes bucknell university - Jul 02 2023

web oct 17 2014 a comprehensive and accessible presentation of probability and stochastic processes with emphasis on key theoretical concepts and real world applications with

**probability and stochastic processes wiley** - Jun 01 2023

web probability and stochastic processes may 04 2021 a comprehensive and accessible presentation of probability and stochastic processes with emphasis on key theoretical

*probability and stochastic processes bucknell university* - Oct 05 2023

web probability and stochastic processes a friendly introduction for electrical and computer engineers chapter 1 viewgraphs 1 set theory preliminaries what is the probability

**probability theory and stochastic processes with applications** - Jun 20 2022

web probability and stochastic processes bucknell university april 11th 2018 probability and statistics in computer science and software engineering covers all the topics

*downloadable free pdfs probability and stochastic processes* - Jan 16 2022

web jul 16 2023 stochastic processes bucknell university is universally compatible later than any devices to read journal of quality technology 1975 abstracts of papers

mathematics math bucknell university - Aug 03 2023

web probability and stochastic processes a friendly introduction for electrical and computer engineers chapter 2 viewgraphs

1 random variables experiment procedure

**probability and stochastic processes bucknell university** - Jan 28 2023

web may 27 2005 a mathematical and intuitive approach to probability statistics and stochastic processes this textbook provides a unique balanced approach to

**probability and stochastic processes bucknell university pdf** - Dec 15 2021

web jul 29 2023 introduces engineering students to probability theory and stochastic processes along with thorough mathematical development of the subject the book

*probability and stochastic processes wiley online library* - Feb 26 2023

web conceptualizations and mental processing in language mar 13 2021 transforming process theism jul 29 2022 process theism in a variety of manifestations and

**probability theory and stochastic processes books and syllabus** - Jul 22 2022

web aug 12 2009 chapter 1 2 of this text covers material of a basic probability course chapter 3 deals with discrete stochastic processes including martingale theory

**probability statistics and stochastic processes wiley online** - Nov 25 2022

web probability measure  $p$  has to satisfy obvious properties like that the union of two disjoint events  $A$  and  $B$  satisfies  $p(A \cup B) = p(A) + p(B)$  or that the complement  $A^c$  of an event

**probability and stochastic processes bucknell university** - Mar 30 2023

web jul 15 2022 probability theory and methods developed for stochastic processes play a fundamental role in understanding the features of physical processes driven and

**probability and stochastic processes bucknell university** - Apr 30 2023

web page 19 theorem 1.10 the words law of total probability should be boldfaced law of total probability page 23 line 14 just preceding definition 1.8 mutually exclusive sets

**probability statistics and stochastic processes wiley online** - Dec 27 2022

web may 8 2012 thoroughly updated to showcase the interrelationships between probability statistics and stochastic processes probability statistics and stochastic

**probability and stochastic processes bucknell university** - May 20 2022

web probability and stochastic processes bucknell university probability and stochastic processes solution manual probability and stochastic processes for high school

**probability statistics and stochastic processes amazon com** - Mar 18 2022

web jul 20 2023 stochastic and integer programming simulation including low discrepancy sequences and partial differential



equations are covered in detail extensive illustrative

*probability and stochastic processes bucknell* - Sep 23 2022

web experiments models and probabilities discrete random variables multiple discrete random variables continuous random variables multiple continuous random

**probability and stochastic processes with applications harvard** - Oct 25 2022

web probability and stochastic processes a friendly introduction for electrical and computer engineers chapter 2 viewgraphs 1 tags processes probability stochastic

**probability and stochastic processes bucknell university** - Sep 04 2023

web stochastic processes and mathematical optimization topics may include markov chains queueing theory simulation linear programming non linear programming integer

*probability and stochastic processes bucknell university* - Apr 18 2022

web may 22 2012 martingales renewal processes and brownian motion one way analysis of variance and the general linear model extensively class tested to ensure an accessible

**probability and stochastic processes bucknell university** - Nov 13 2021

**probability and stochastic processes bucknell university pdf** - Feb 14 2022

web probability and stochastic processes bucknell university memorials of bucknell univ 184 may 19 2023 this work has been selected by scholars as being